

AVENUE L MF 1300-85 GHE 1S Brick

#### Dimensions (mm)

- combustion opening WxH: 1300x850
- glass door WxH: 1294x887
- external WxDxH: 1580x611x1485
- diameter flue:  $\phi 130/200$  or  $(*) \phi 100/150$

#### Technical Data

- appliance type: C11/C31/C31S
- load: 14kW
- efficiency capacity: 80%
- type of gas/pressure: G20/G25/G30/G31
- gascat: I2E+, I2H, I2E, I2L, I3+, I3BP
- weight: 180kg
- Air intake to convection : minimum  $700\text{cm}^2 (4 \times \phi 180)$
- Air exhaust from convection : minimum  $700\text{cm}^2 (4 \times \phi 180)$

#### Specifications

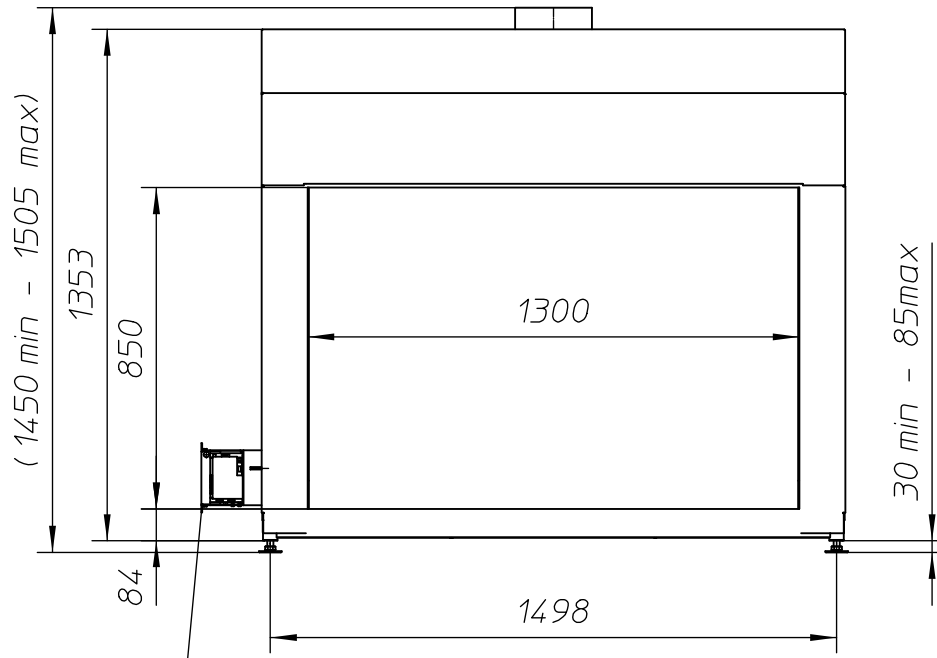
- only available with ceramic wood logs
- ionization-protected pilot-flame
- radiographic remote control with thermostatic mode
- inside finishing: heat-resistant black paint
- gas/electrical connections at the left side

#### Options

- promat insulation kit
- interior finishing: ORIGINAL (ribbed cast iron)
- STANDARD (steel)

#### First aid and technical support:

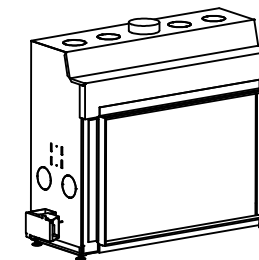
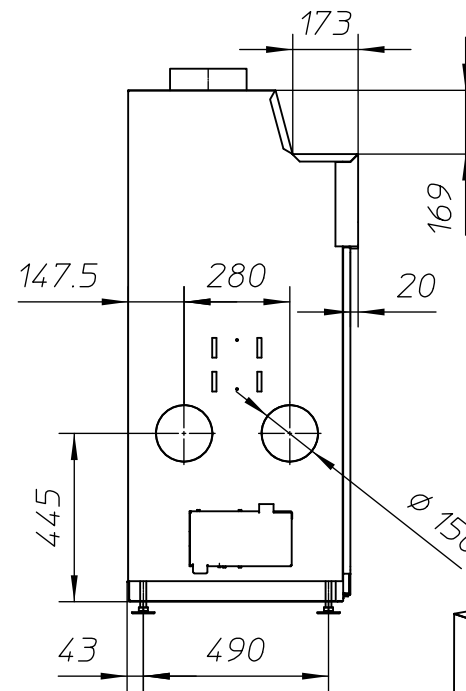
- [support@metalfire.eu](mailto:support@metalfire.eu)
- +32 (0)9 261 50 57



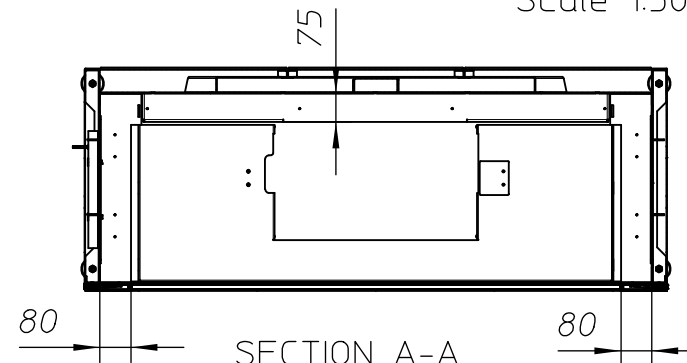
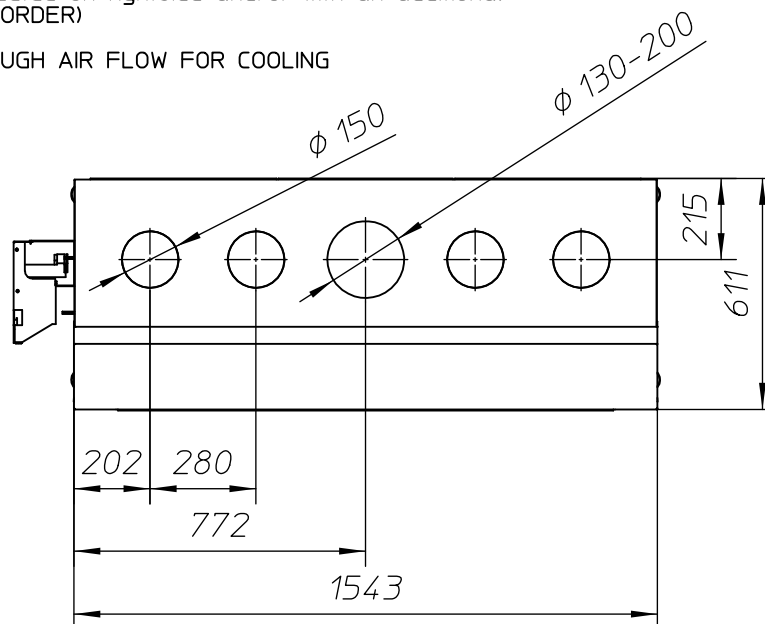
Electrical/gas control unit  
Standard connected on left side with 1M flexible tube

Optimal connected on rightside and/or with an additional 1M tube (AT ORDER)

FORSEE ENOUGH AIR FLOW FOR COOLING

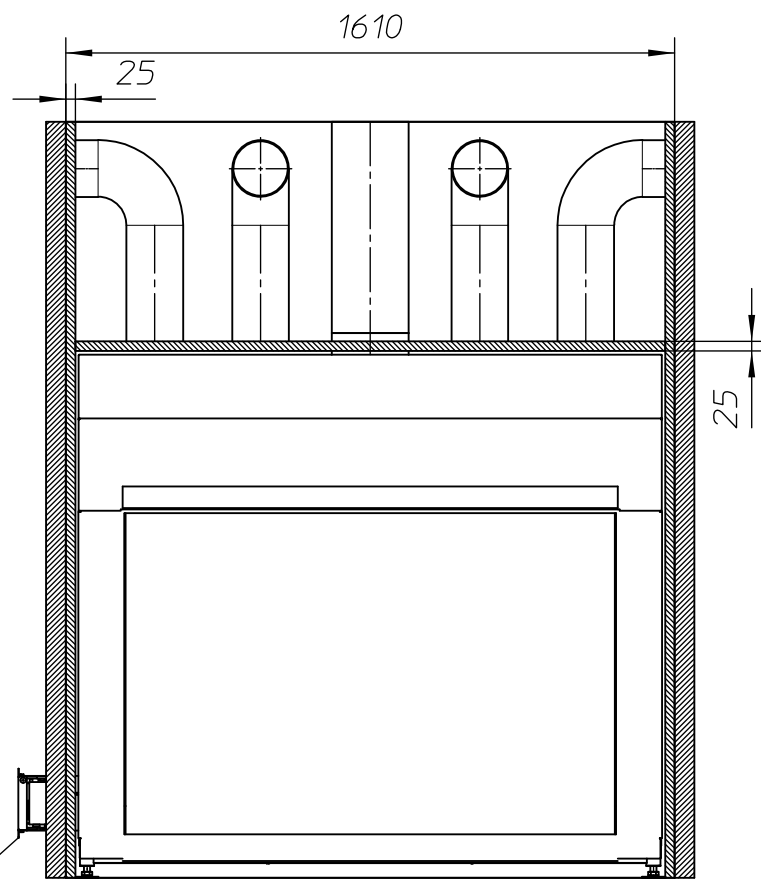


Scale 1:50

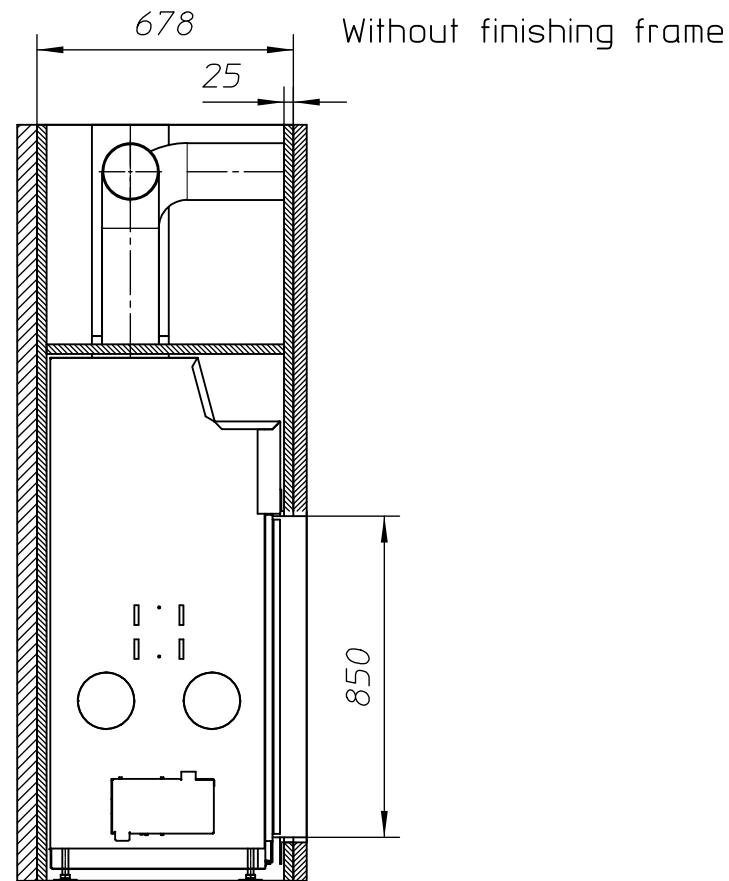
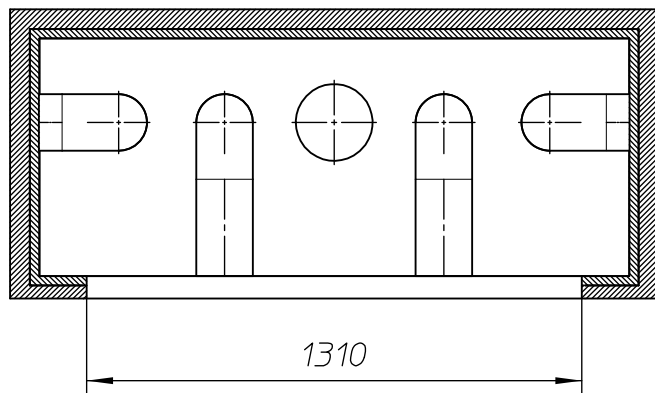


Space for Bricks:  
Metalfire+ takes no responsibility  
for materials used and  
for quality of Brickwork

|  |           |
|--|-----------|
| scale 1:20   | Rev. -1   |
| <a href="http://www.metalfire.eu">www.metalfire.eu</a>   | EN 613 CE |
| General dimensional tolerances up to 6mm<br>Metalfire preserves the right to modify specifications without previous notice | Sheet 1/3 |



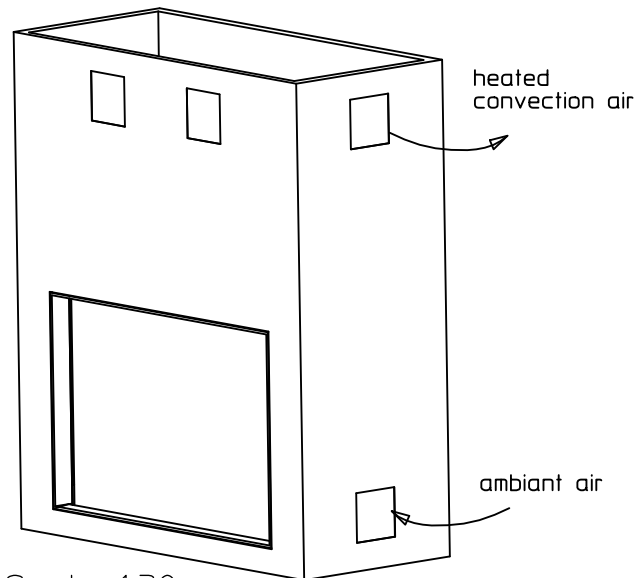
Electrical/gas control unit  
 Standard connected on left side with 1M flexible tube  
 Optinal connected on rightside and/or with an additional  
 1M tube (AT ORDER)  
**FORSEE ENOUGH AIR FLOW FOR COOLING**



heated convection air



ambient air



Scale 1:30

AVENUE Patented

**metalfire**

Technical Document

AVENUE L MF 1300-85 GHE 1S Brick

**Dimensions (mm)**

- combustion opening WxH: 1300x850
- glass door WxH: 1294x887
- external WxDxH: 1580x611x1485
- diameter flue:  $\phi$ 130/200 or  $\phi$ 100/150 (\*)

**Technical Data**

- appliance type: C11/C31/C31S
- load: 14kW
- efficiency capacity: 80%
- type of gas/pressure: G20/G25/G30/G31
- gascat: I2E+, I2H, I2E, I2L, I3+, I3BP
- weight: 180kg
- Air intake to convection : minimum 700cm<sup>2</sup> (4x $\phi$ 180)
- Air exhaust from convection : minimum 700cm<sup>2</sup> (4x $\phi$ 180)

**Specifications**

- only available with ceramic wood logs
- ionization-protected pilot-flame
- radiographic remote control with thermostatic mode
- inside finishing: heat-resistant black paint
- gas/electrical connections at the left side

**Options**

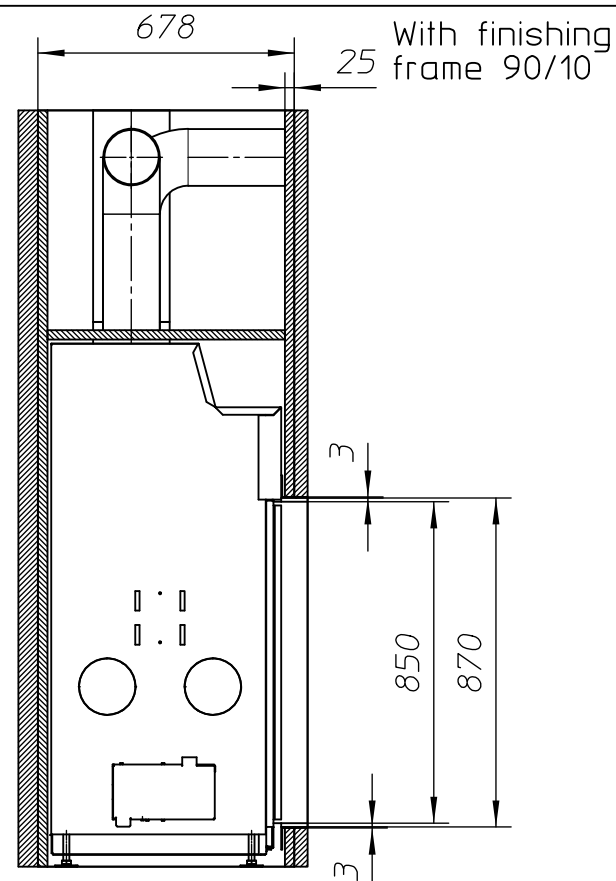
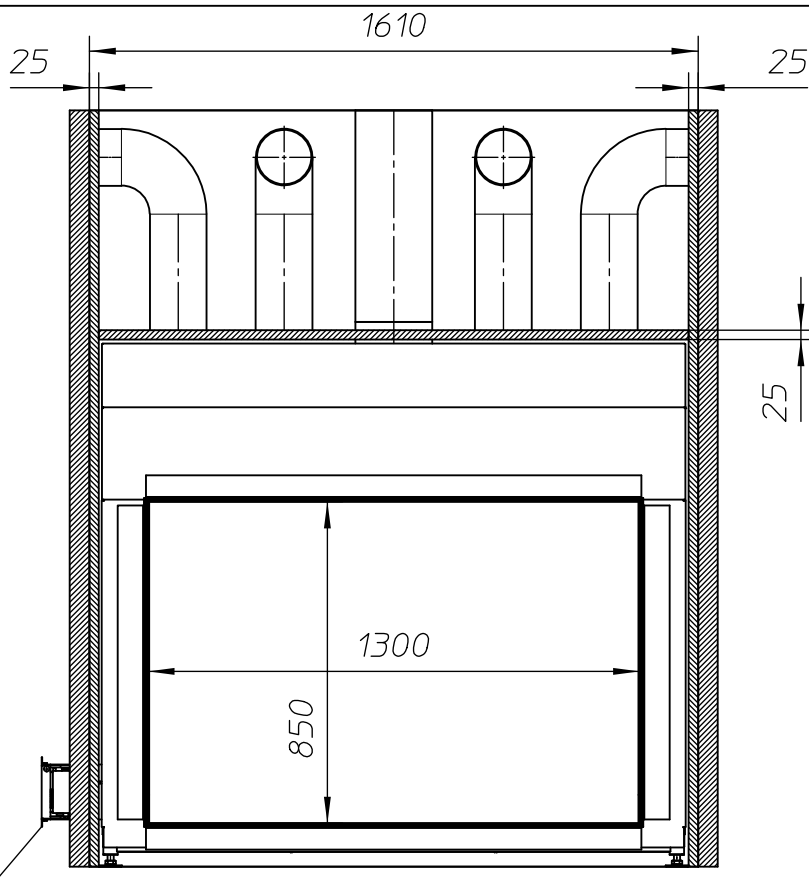
- promat insulation kit
- interior finishing: ORIGINAL (ribbed cast iron)

STANDARD (steel)

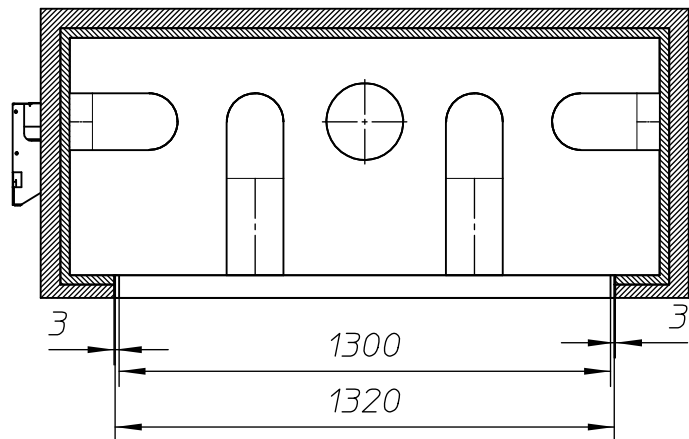
**First aid and technical support:**

- support@metalfire.eu
- +32 (0)9 261 50 57

|  |           |
|--|-----------|
| scale 1:20   | Rev. -1   |
| www.metalfire.eu   | EN 613 CE |
| General dimensional tolerances up to 6mm<br>Metalfire preserves the right to modify specifications without previous notice | Sheet 2/3 |



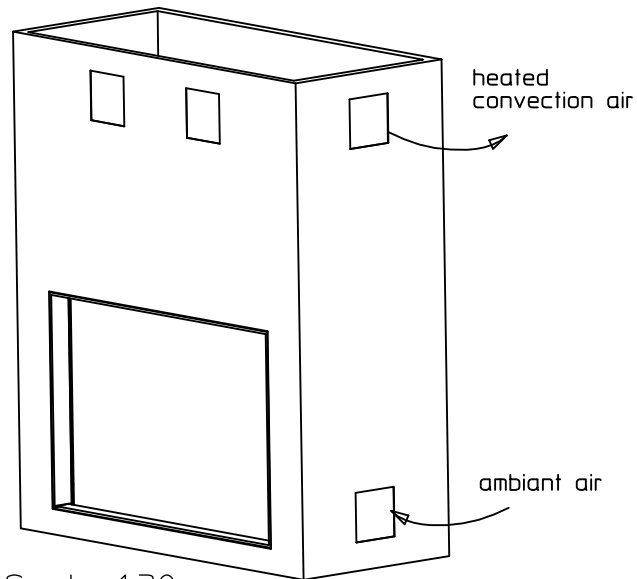
Electrical/gas control unit  
 Standard connected on left side with 1M flexible tube  
 Optinal connected on rightside and/or with an additional  
 1M tube (AT ORDER)  
 FORSEE ENOUGH AIR FLOW FOR COOLING



heated convection air



ambient air



Scale 1:30

AVENUE Patented

metalfire

Technical Document

AVENUE L MF 1300-85 GHE 1S Brick

Dimensions (mm)

- combustion opening WxH: 1300x850
- glass door WxH: 1294x887
- external WxDxH: 1580x611x1485
- diameter flue:  $\varnothing$ 130/200 or (\* $\varnothing$ 100/150)

Technical Data

- appliance type: C11/C31/C31S
- load: 14kW
- efficiency capacity: 80%
- type of gas/pressure: G20/G25/G30/G31
- gascat: I2E+, I2H, I2E, I2L, I3+, I3BP
- weight: 180kg
- Air intake to convection : minimum 700cm<sup>2</sup>(4x $\varnothing$ 180)
- Air exhaust from convection : minimum 700cm<sup>2</sup>(4x $\varnothing$ 180)

Specifications

- only available with ceramic wood logs
- ionization-protected pilot-flame
- radiographic remote control with thermostatic mode
- inside finishing: heat-resistant black paint
- gas/electrical connections at the left side

Options

- promat insulation kit
- interior finishing: ORIGINAL (ribbed cast iron)

STANDARD (steel)

First aid and technical support:

- support@metalfire.eu
- +32 (0)9 261 50 57

|  |           |
|--|-----------|
| scale 1:20   | Rev. -1   |
| www.metalfire.eu   | EN 613 CE |
| General dimensional tolerances up to 6mm<br>Metalfire preserves the right to modify specifications without previous notice | Sheet 3/3 |