

#### AVENUE MF 1050-75 GHE 1S Brick

##### Dimensions (mm)

- combustion opening WxH: 1050x740
- depth for bricks: 50
- external WxDxH: 1178x474x1120
- diameter flue:  $\varnothing$ 130/200 or (\*)  $\varnothing$ 100/150

##### TECHNICAL DATA

- Gascat: I2E+, I2E, I2H, I2L, I2ELL
- ECOLABEL: A
- load input: 11,00 kW
- load output: 9,50 kW
- efficiency capacity: 87,0 %
- type of gas/pressure: G20/G25

##### - Gascat: I3B/P, I3+

- ECOLABEL: B
- load input: 8,70 kW
- load output: 7,30 kW
- efficiency capacity: 84,4 %
- type of gas/pressure: G30/G31

##### - Appliance type: C11,C31,C91 C12,C32,C42,C52,C82

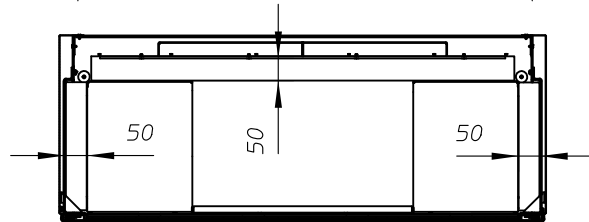
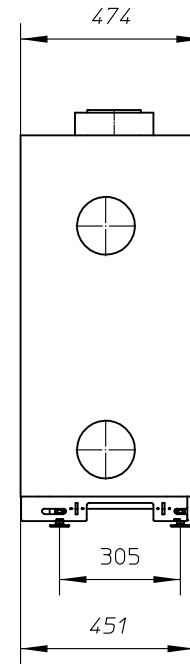
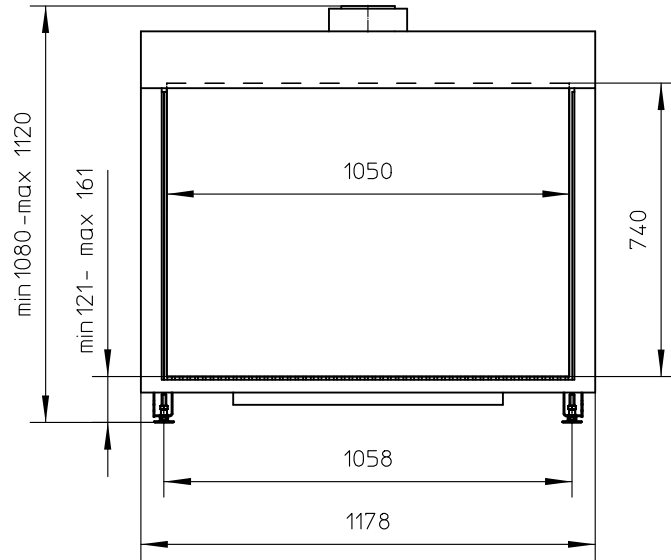
- Weight: 150 kg
- Convection air inlet: min700cm<sup>2</sup> (4x $\varnothing$ 150)
- Convection air outlet: min700cm<sup>2</sup> (4x $\varnothing$ 150)

##### SPECIFICATIONS

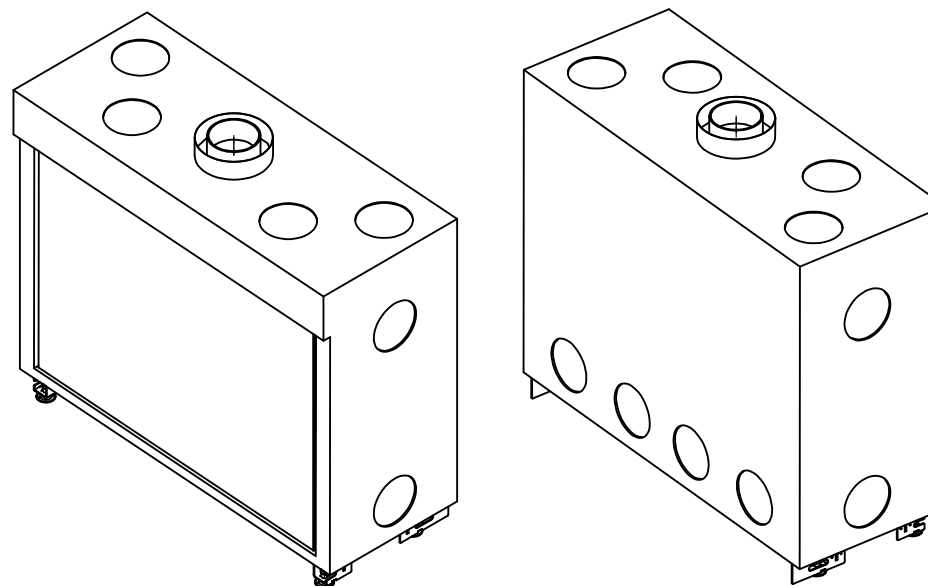
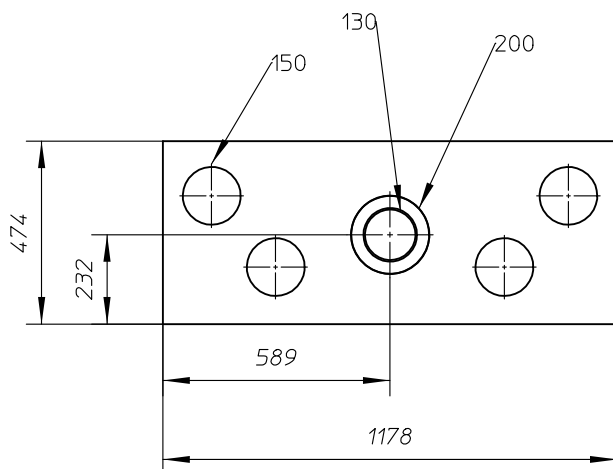
- Only available with ceramics wood logs
- Ionization-protected pilot-flame
- Radiographic remote controle with thermostatic mode
- Inside finishing: heat-resistant black point
- Gas/electrical connections at the left side (optional right side)

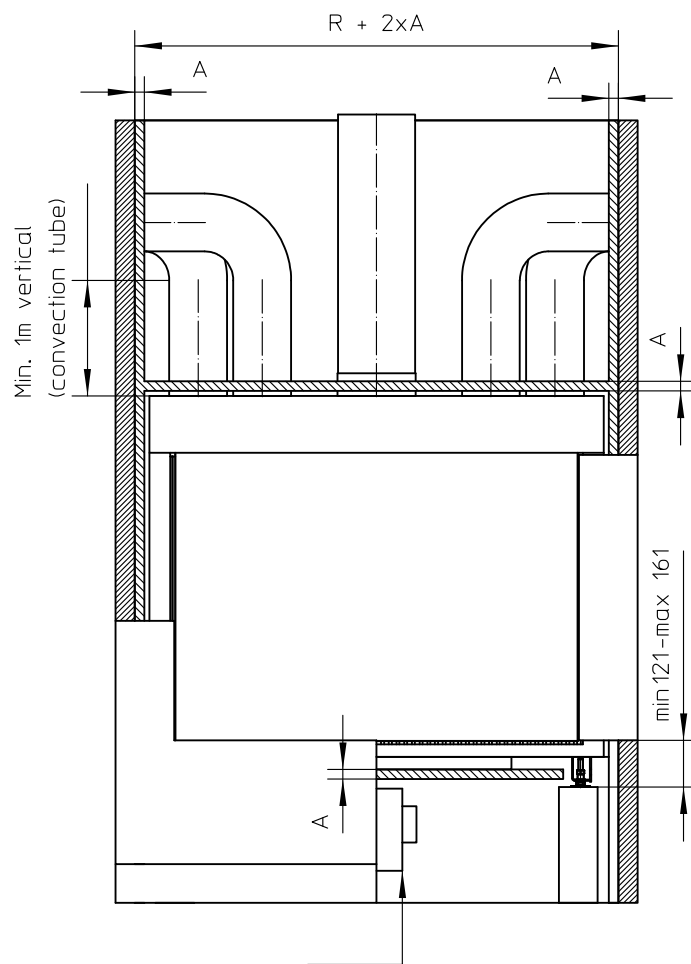
##### First aid and technical support:

- support@metalfire.eu
- +32 (0)9 261 50 57

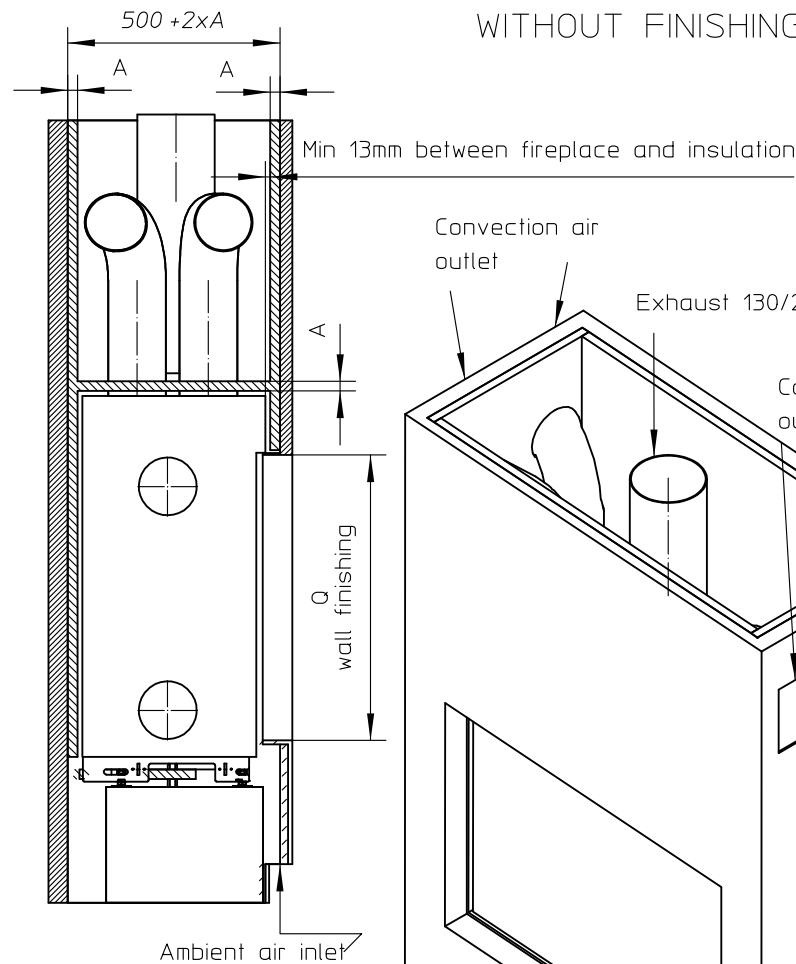
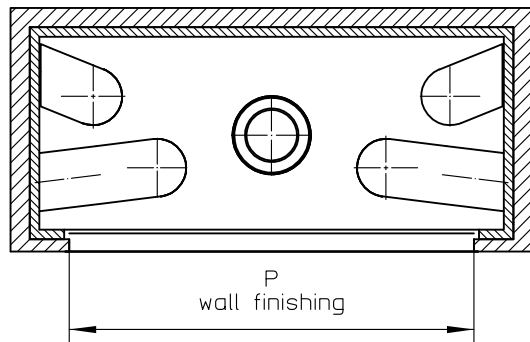


Dimensions for Bricks on inside

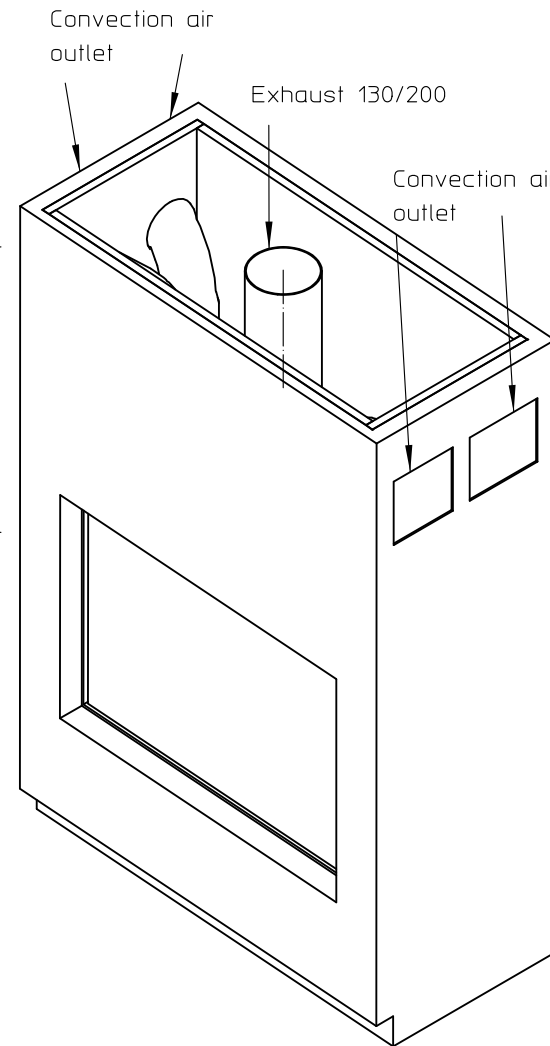




Electrical/gas control unit  
 Standard connected with 1m flexible tube.  
 Optional: connected on right side and/or with an additional 1m tube(AT ORDER)  
 FORESEE ENOUGH AIR FLOW FOR COOLING



WITHOUT FINISHING FRAME



Combustable finishing material  
 Insulation

Insulation thickness = > see table

AVENUE Patented

metalfire

Technical Document

AVENUE MF 1050-75 GHE 1S Brick

Prescribed insulation thickness (mm)

Combustable finishing material

Metalfire recommended  
 Promasil 1100L  
 (TC=0,081 W/mK)

A = 25mm

Non-combustable finishing material

non-combustable  
 materials  
 structural building items  
 EXCLUDED e.g load bearing walls

A = 0mm

TC=thermot conductivity

TC=non-combustable

Table: AVENUE MF 1050-75 GHE 1S

Installation dimensions (mm)

P	Q	R	S	T	Z
1050	740	1204	1076	766	NA

First aid and technical support:  
 - support@metalfire.eu  
 - +32 (0)9 261 50 57

scale 1:20

Rev.

www.metalfire.eu

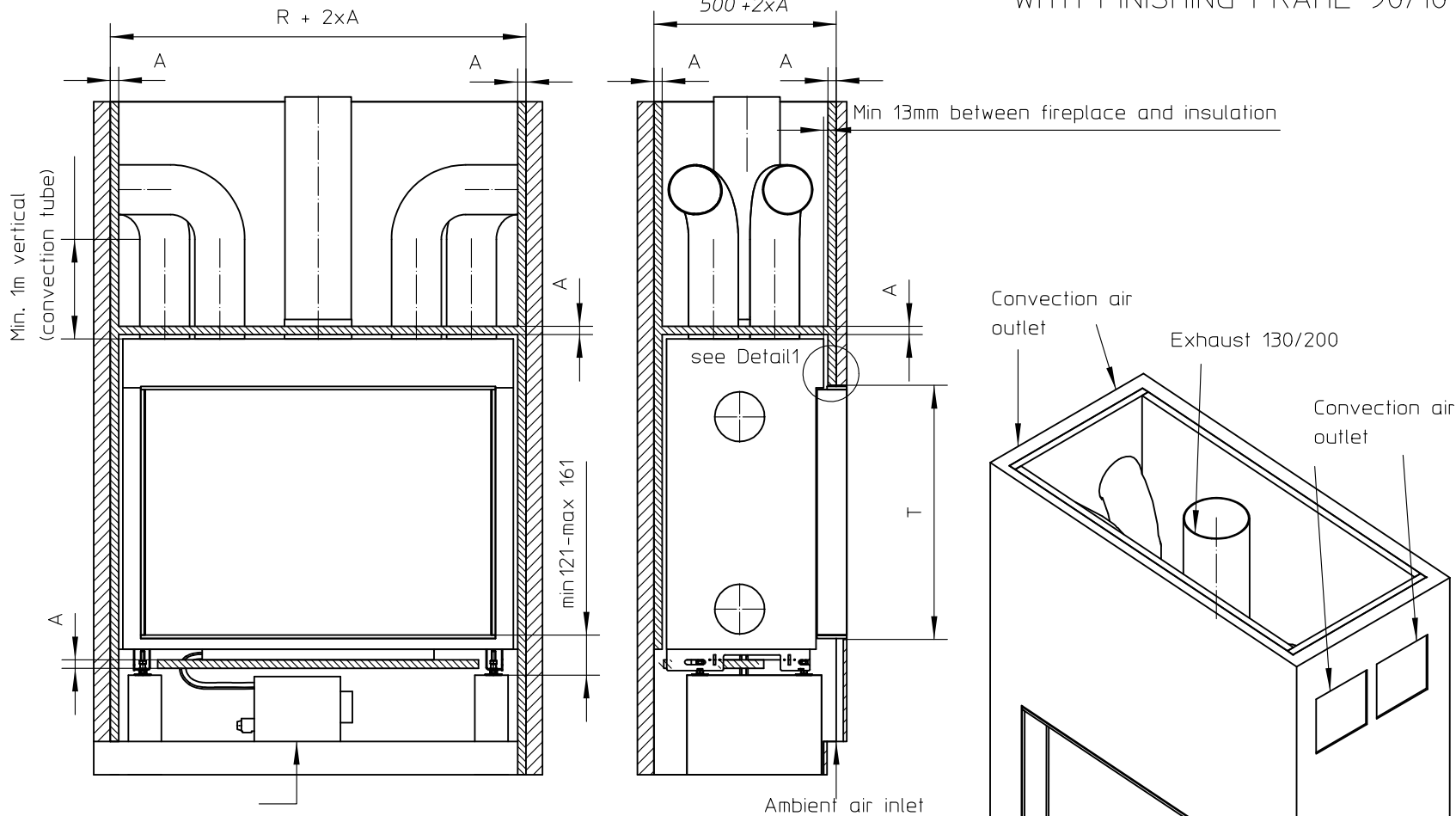
EN 613

CE

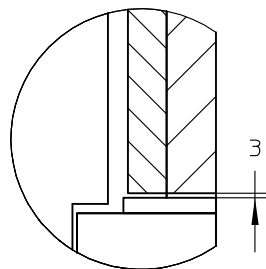
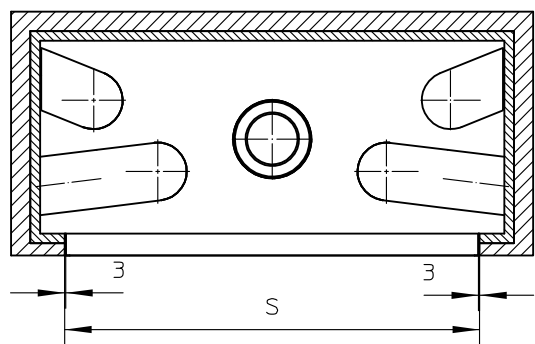
General dimensional tolerances up to 6mm  
 Metalfire preserves the right to modify specifications without previous notice

Sheet  
 2/3

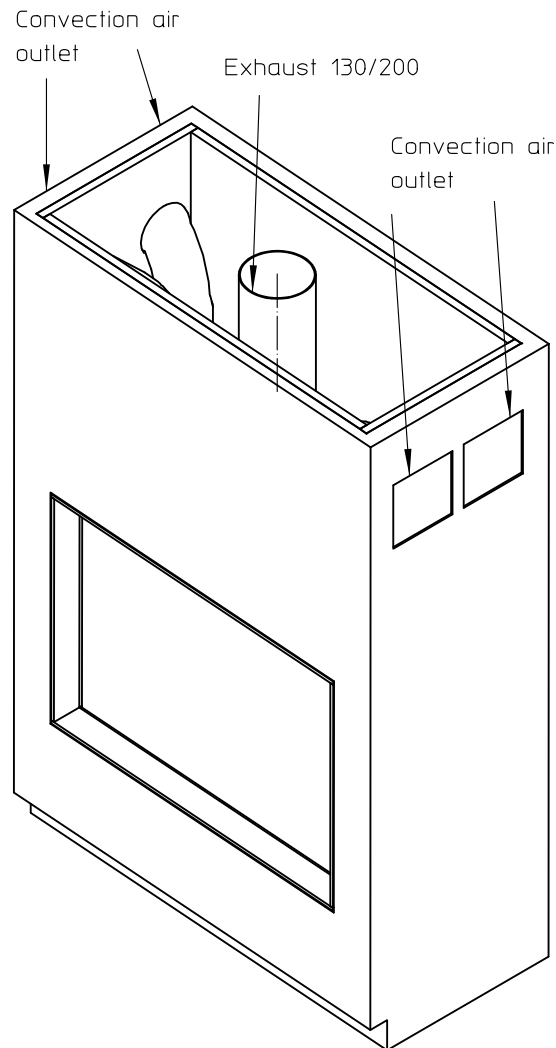
WITH FINISHING FRAME 90/10



Electrical/gas control unit  
 Standard connected with 1m flexible tube.  
 Optional: connected on right side and/or with an additional 1m tube(AT ORDER)  
 FORESEE ENOUGH AIR FLOW FOR COOLING



Detail1  
 SCALE 1:5



Combustible finishing material  
 Insulation  
 Insulation thickness = > see table

AVENUE Patented

metalfire

Technical Document

AVENUE MF 1050-75 GHE 1S Brick

Prescribed insulation thickness (mm)

Combustible finishing material

Metalfire recommended  
 Promasil 1100L  
 (TC=0,081 W/mk)

A = 25mm

Non-combustible finishing material

non-combustable  
 materials  
 structural building items  
 EXCLUDED e.g load bearing walls

A = 0mm

TC=thermot conductivity

TC=non-combustable

Table: AVENUE MF 1050-75 GHE 1S

Installation dimensions (mm)

P	Q	R	S	T	Z
1050	740	1204	1076	766	NA

First aid and technical support:  
 - support@metalfire.eu  
 - +32 (0)9 261 50 57

scale 1:20

Rev.

www.metalfire.eu

EN 613

CE

General dimensional tolerances up to 6mm  
 Metalfire preserves the right to modify specifications without previous notice

Sheet  
 3/3