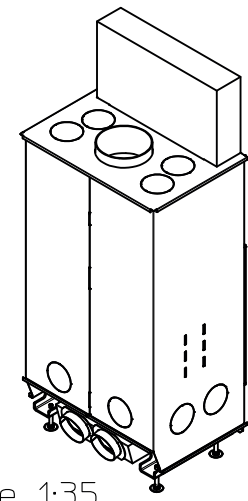


Scale 1:35



Scale 1:35

ULTIME D Patented

metalfire

Technical Document

ULTIME D MF 600-75 WHE 1S BBQ

- Dimensions (mm)**
- combustion opening WxH: 636x756
 - external WxDxH: 860x619x2061
 - fresh air: 2x150
 - diameter flue: 250

- Technical Data**
- capacity: 18.8kW
 - efficiency capacity: 79.6%
 - CO (volume with 13%O₂): 0.07%
 - dust (volume with 13%O₂): 20mg/m³
 - weight: 368kg
 - Air intake to convection: minimum 360cm² (2x150)
 - Air exhaust to convection: minimum 360cm² (2x150)

Table: prescribed insulation thickness (mm)

	Combustable finishing material				
	A	B	C	D	E
Test report (TC = 0,14 W/mK)	83	NC	98	110	40
Metalfire recommended Promasil 1100L (TC = 0,081 W/mK)	50	NC	60	65	25
Non-combustable finishing material					
non-combustable materials (structural building items EXCLUDED e.g. load bearing walls)	0	0	0	0	0
TC = thermal conductivity NC = non-combustable					

First aid and technical support:

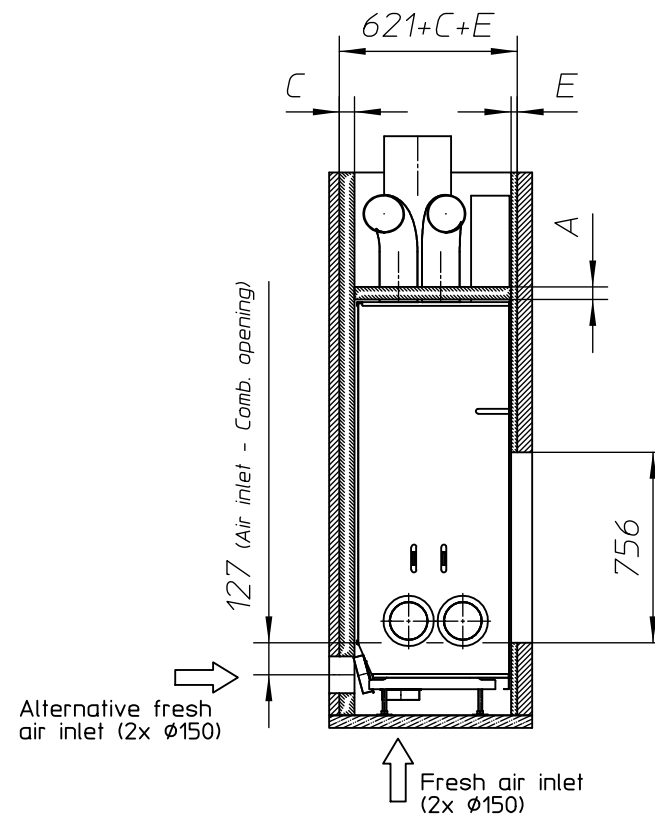
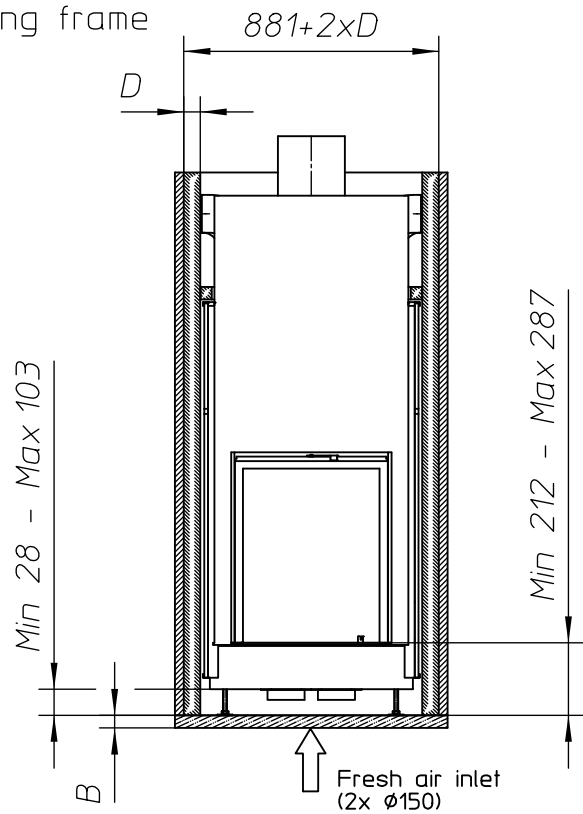
- support@metalfire.eu
- +32 (0)9 261 50 57

scale 1:25	Rev. A
------------	-----------

www.metalfire.eu	EN 13229	CE
------------------	----------	----

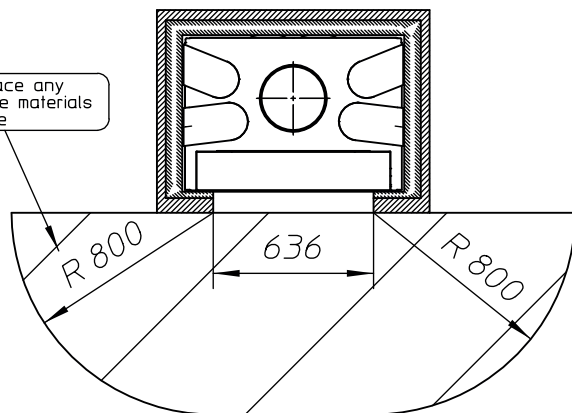
General dimensional tolerances up to 6mm
Metalfire preserves the right to modify specifications without previous notice

Without finishing frame

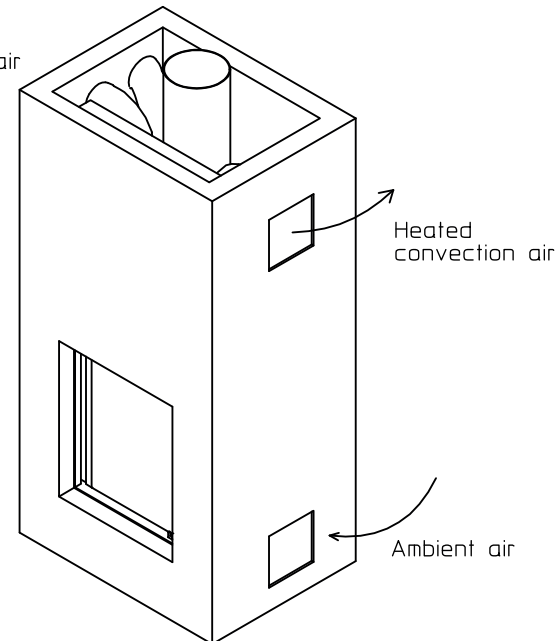


Alternative fresh air inlet (2x Ø150)

Do NOT place any combustible materials in this zone



Heated convection air



ULTIME D Patented

metalfire

Technical Document

ULTIME D MF 600-75 WHE 1S BBQ

Dimensions (mm)

- combustion opening WxH: 636x756
- external WxDxH: 860x619x2061
- fresh air: 2xØ150
- diameter flue: Ø250

Technical Data

- capacity: 18.8kW
- efficiency capacity: 79.6%
- CO (volume with 13%O₂): 0.07%
- dust (volume with 13%O₂): 20mg/N³
- weight: 368kg
- Air intake to convection: minimum 360cm²(2xØ150)
- Air exhaust to convection: minimum 360cm²(2xØ150)

Specifications

- inside finishing: heat-resistant black paint
- vermiculite insulation plates
- convection jacket in galvanized steel
- cast iron stoke grate
- back and sides: ribbed cast iron
- interior finishing: ORIGINAL (ribbed cast iron)

Options

- Promat insulation kit
- Finishing frame

Table: prescribed insulation thickness (mm)

Combustible finishing material					
	A	B	C	D	E
Test report (TC = 0,14 W/mK)	83	NC	98	110	40
Metalfire recommended Promasil 1100L (TC = 0,081 W/mK)	50	NC	60	65	25
Non-combustable finishing material					
non-combustable materials (structural building items EXCLUDED e.g. load bearing walls)	0	0	0	0	0

TC = thermal conductivity NC = non-combustable

First aid and technical support:

- support@metalfire.eu
- +32 (0)9 261 50 57

scale 1:30

Rev. A.1

www.metalfire.eu

EN 13229

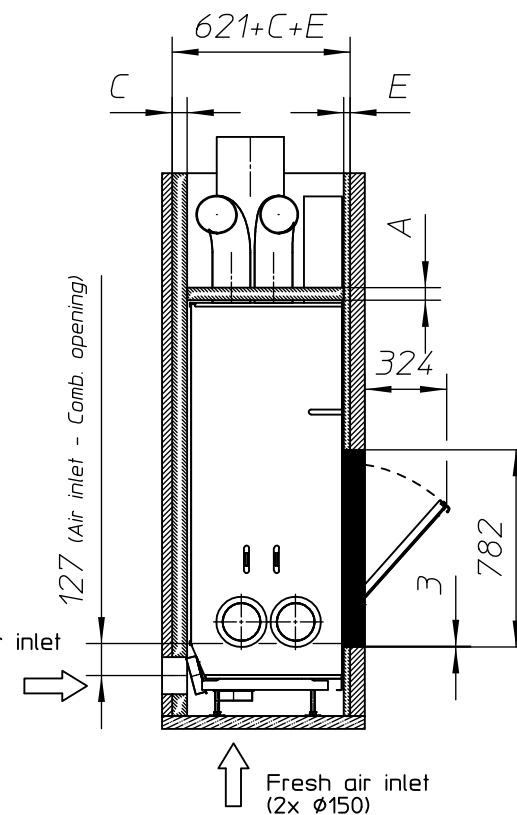
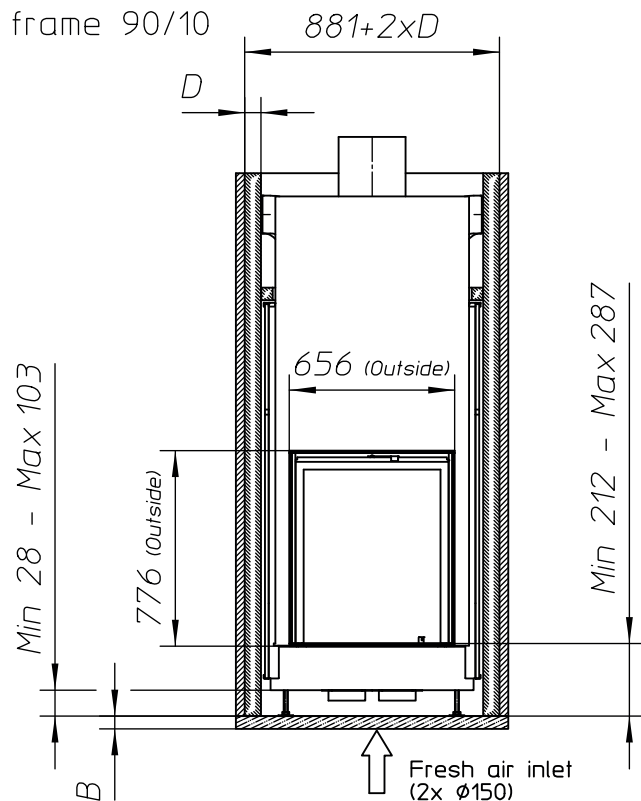
CE

General dimensional tolerances up to 6mm
Metalfire preserves the right to modify specifications without previous notice

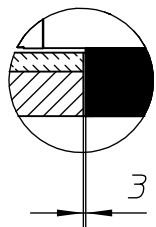
Sheet 2/3

- Combustible finishing material
 - Non-combustible finishing material
 - Insulation
- Insulation thickness => see table

With finishing frame 90/10

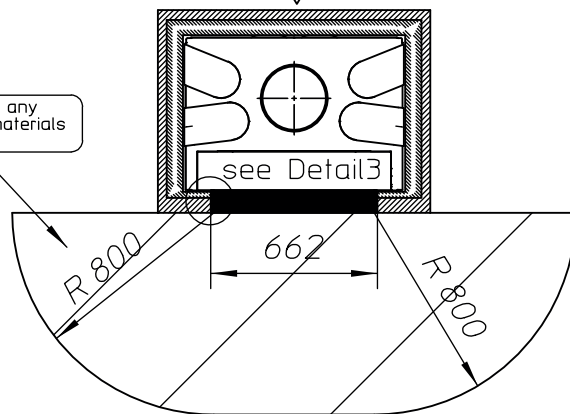


Detail3
Scale 1:10

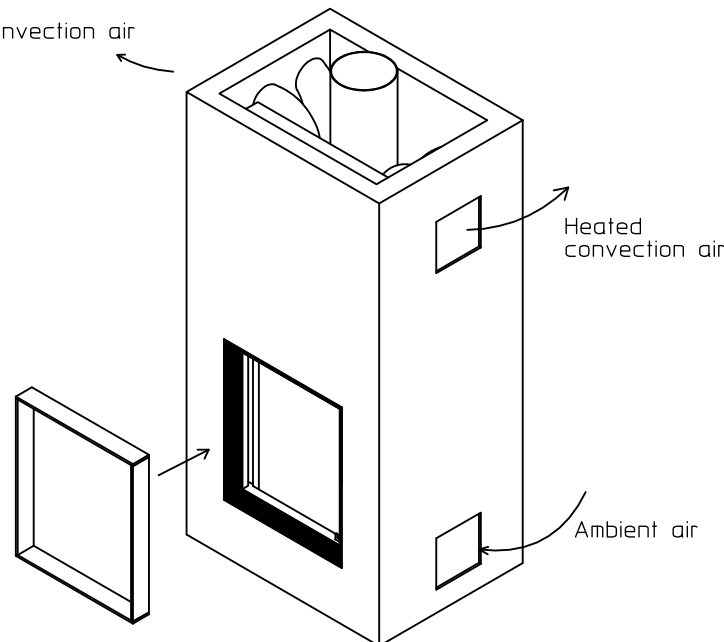


Alternative fresh air inlet
(2x Ø150)

Do NOT place any
combustable materials
in this zone



Heated convection air



- Combustable finishing material
- Non-combustable finishing material
- Insulation
- Insulation thickness => see table

ULTIME D Patented

metalfire

Technical Document

ULTIME D MF 600-75 WHE 1S BBQ

Dimensions (mm)

- combustion opening WxH: 636x756
- external WxDxH: 860x619x2061
- fresh air: 2xØ150
- diameter flue: Ø250

Technical Data

- capacity: 18.8kW
- efficiency capacity: 79.6%
- CO (volume with 13%O₂): 0.07%
- dust (volume with 13%O₂): 20mg/m³
- weight: 368kg
- Air intake to convection: minimum 360cm²(2xØ150)
- Air exhaust to convection: minimum 360cm²(2xØ150)

Specifications

- inside finishing: heat-resistant black paint
- vermiculite insulation plates
- convection jacket in galvanized steel
- cast iron stoke grate
- back and sides: ribbed cast iron
- interior finishing: ORIGINAL (ribbed cast iron)

Options

- Promat insulation kit
- Finishing frame

Table: prescribed insulation thickness (mm)

Combustable finishing material					
	A	B	C	D	E
Test report (TC = 0,14 W/mK)	83	NC	98	110	40
Metalfire recommended Promasil 1100L (TC = 0,081 W/mK)	50	NC	60	65	25
Non-combustable finishing material					
non-combustable materials structural building items EXCLUDED e.g. load bearing walls	0	0	0	0	0
TC = thermal conductivity NC = non-combustable					

First aid and technical support:

- support@metalfire.eu
- +32 (0)9 261 50 57

scale 1:30

Rev.
A.1

www.metalfire.eu

EN 13229

CE

General dimensional tolerances up to 6mm
Metalfire preserves the right to modify specifications without previous notice

Sheet
3/3