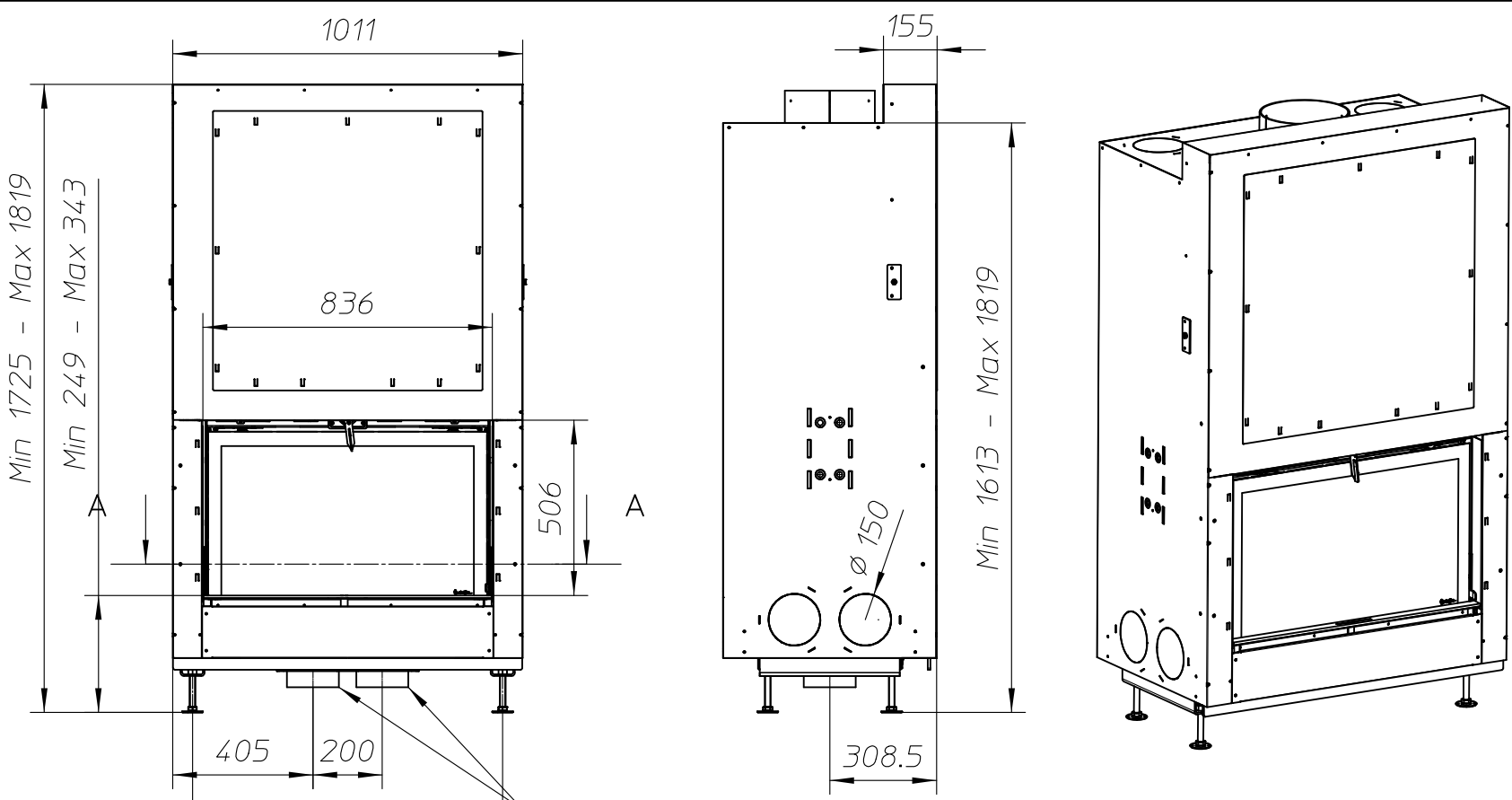


Metalfire

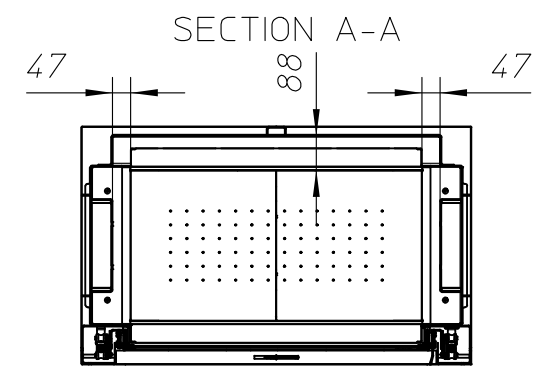
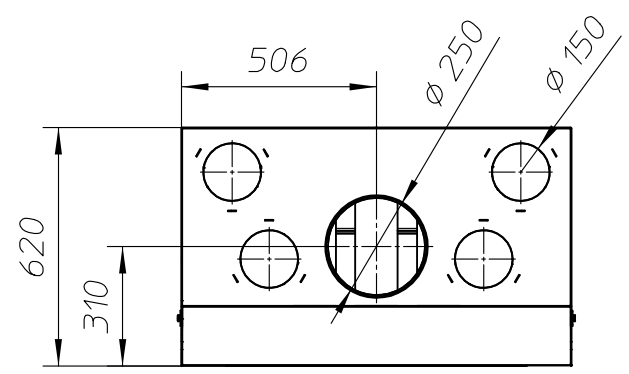
Technical Document

ULTIME D MF 800-50 WHE 1S Brick

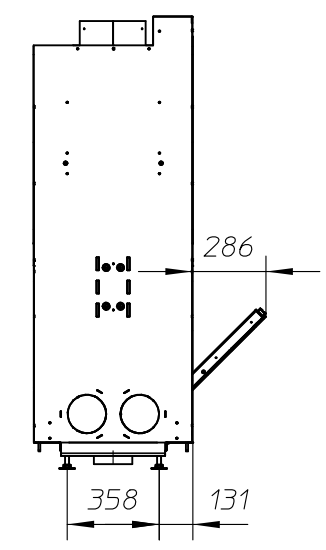
- Dimensions (mm)**
- combustion opening WxH: 836 x 506
 - external WxDxH: 1101 x 620 x 1819
 - fresh air intake: 2 x Ø150
 - flue gas outlet: Ø250
- Technical Data**
- ecolabel: A
 - capacity: 18.2kW
 - efficiency: 82.3%
 - CO (volume with 13%O₂): 0.08%
 - dust (volume with 13%O₂): 26mg/Nm³
 - weight: 350kg
 - convection air inlet: min.700cm² (4 x Ø150)
 - convection air outlet: min.700cm² (4 x Ø150)



Fresh air inlet (2xØ150)



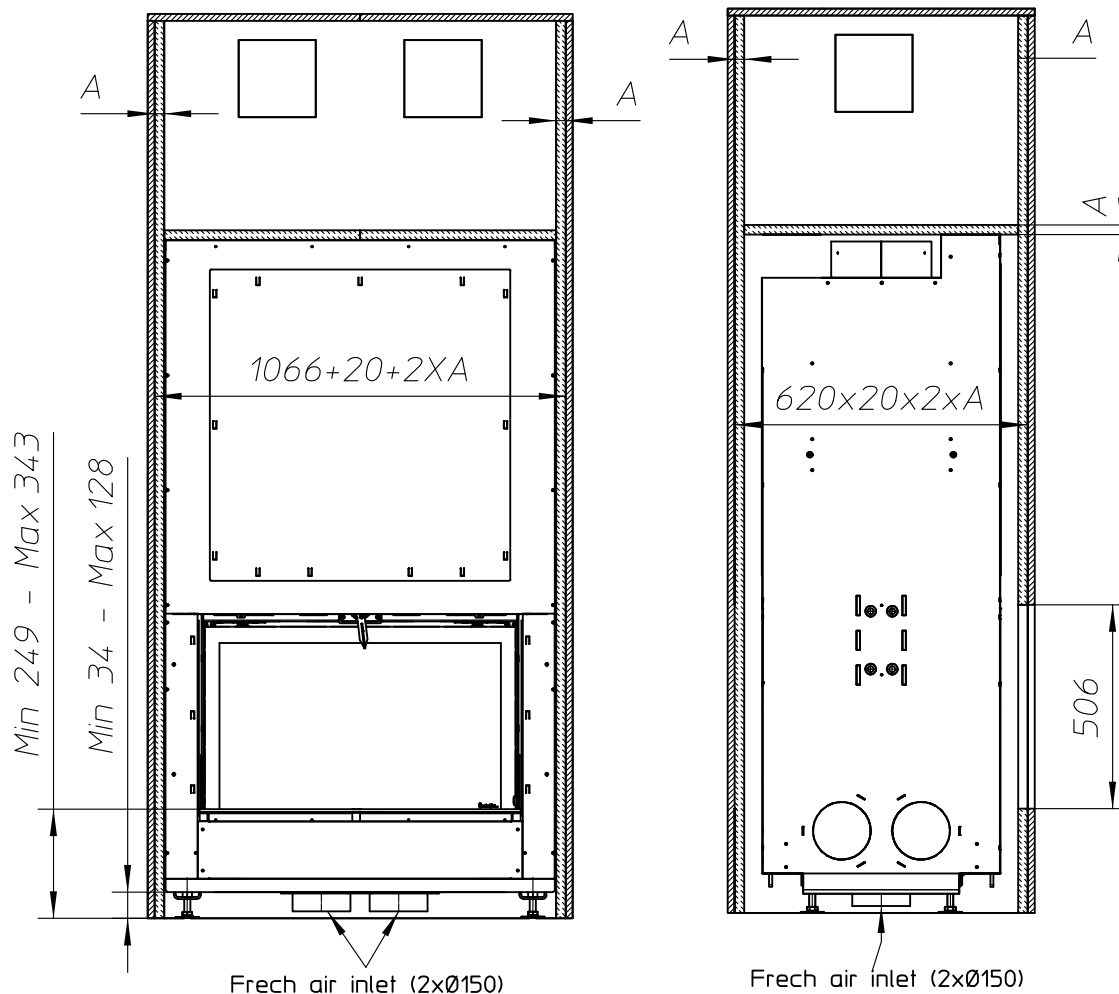
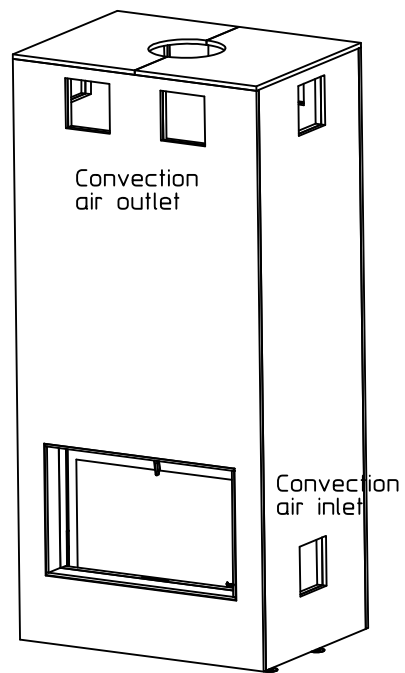
Space for Bricks:
Metalfire+ takes no responsibility
for materials used and
for quality of Brickwork



First aid and technical support:
- support@metalfire.eu
- +32 9 261 51 90

scale 1:20	Rev. -
www.metalfire.eu EN 13229	CE
General dimensional tolerances up to 6mm Metalfire preserves the right to modify specifications without previous notice	Sheet 1/3

Without finishing frame



Min 249 - Max 343

Min 34 - Max 128

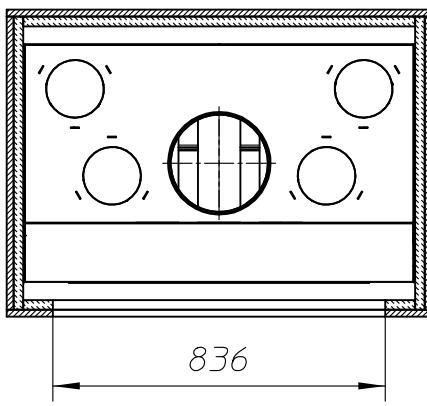
$1066 + 20 + 2 \times A$

$620 \times 20 \times 2 \times A$


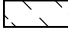
Fresh air inlet (2xØ150)

Fresh air inlet (2xØ150)

506



836

 Combustible finishing material
 Insulation (thickness see table)

ULTIME D Patented

Metalfire

Technical Document

ULTIME D MF 800-50 WHE 1S BRICK

Prescribed insulation thickness (mm)

Combustible finishing material

Metalfire recommended
SILCA T 300
(TC = 0,09 W/mK)

A = 25mm

Non-combustible finishing material

non-combustible
materials
structural building items
EXCLUDED e.g. load bearing walls

A = 0mm

TC = thermal conductivity

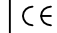
NC = non-combustible

First aid and technical support:

- support@metalfire.eu

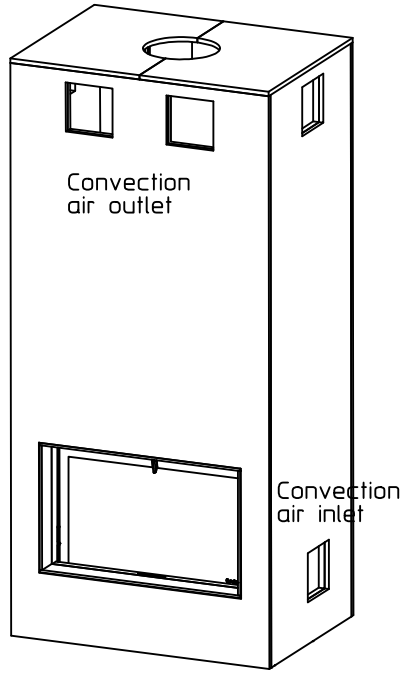
- +32 9 261 51 90

scale 1:20 Rev. -

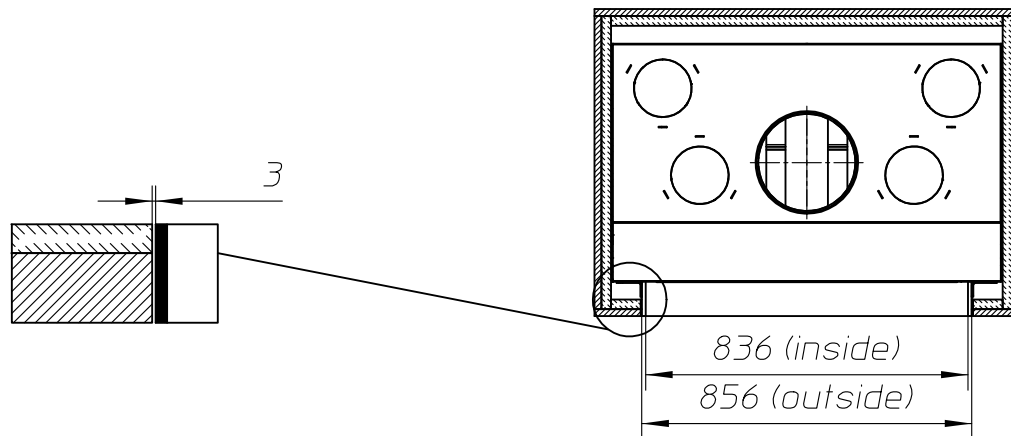
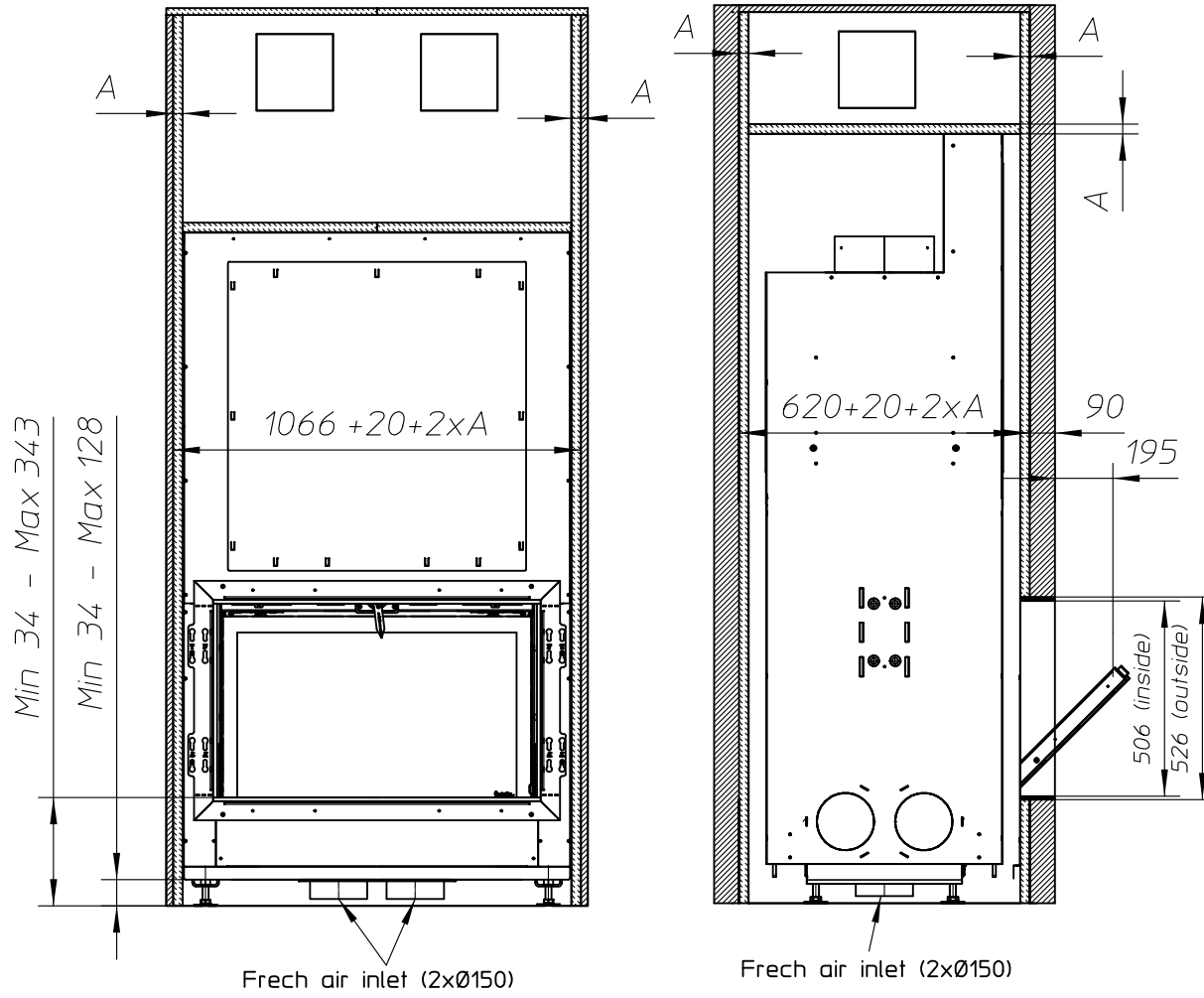
www.metalfire.eu EN 13229 


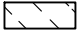
General dimensional tolerances up to 6mm
Metalfire preserves the right to modify specifications without previous notice Sheet 2/3

With finishing frame 90/10



Scale 1:30



 Combustable finishing material
 Insulation (thickness see table)

ULTIME D Patented

Metalfire

Technical Document

ULTIME D MF 800-50 WHE 1S BRICK

Prescribed insulation thickness (mm)

Combustable finishing material

Metalfire recommended
SILCA T 300
(TC = 0,09 W/mK)

A = 25mm

Non-combustable finishing material

non-combustable
materials
structural building items
EXCLUDED e.g. load bearing walls

A = 0mm

TC = thermal conductivity

NC = non-combustable

First aid and technical support:

- support@metalfire.eu

- +32 9 261 51 90

scale 1:20

www.metalfire.eu EN 13229

General dimensional tolerances up to 6mm
Metalfire preserves the right to modify specifications without previous notice

Rev.

-

CE

Sheet

3/3