

ULTIME D MF 800-50 WHE 3S V20

Dimensions (mm)

- combustion opening WxHxD: 868x441x504
- external WxDxH: 868x600x1443
- fresh air: 2x ϕ 150
- diameter flue: ϕ 250

Technical Data

- Ecolabel: A+
- capacity: 16kW
- efficiency capacity: 82%
- CO (volume with 13%O₂): 0.061%
- dust (volume with 13%O₂): 23.6mg/Nm³
- weight: 320kg

- Air intake to convection: minimum 720cm²(4x ϕ 150)
- Air exhaust to convection: minimum 720cm²(4x ϕ 150)

Specifications

- inside finishing: heat-resistant black paint
- vermiculite insulation plates
- convection jacket in galvanized steel
- back and sides: ribbed cast iron
- interior finishing: ORIGINAL (ribbed cast iron)

Options

- Finishing frame

Table: prescribed insulation thickness (mm)

Combustible finishing material				
	A	B	C	D
Test report (TC = 0,14 W/mk)	25	25	25	25
Non-combustible finishing material				
non-combustible materials (structural building items EXCLUDED e.g. load bearing walls)	0	0	0	0

TC = thermal conductivity NC = non-combustible

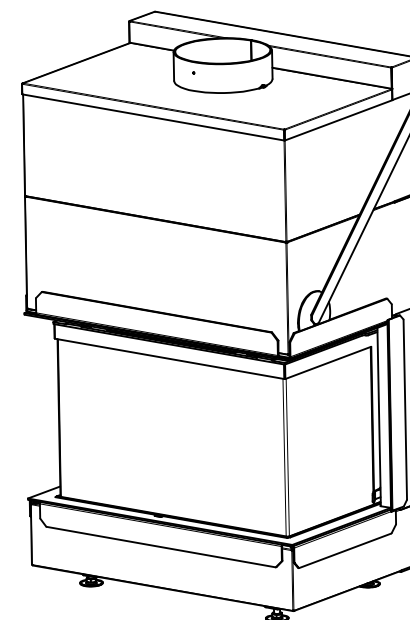
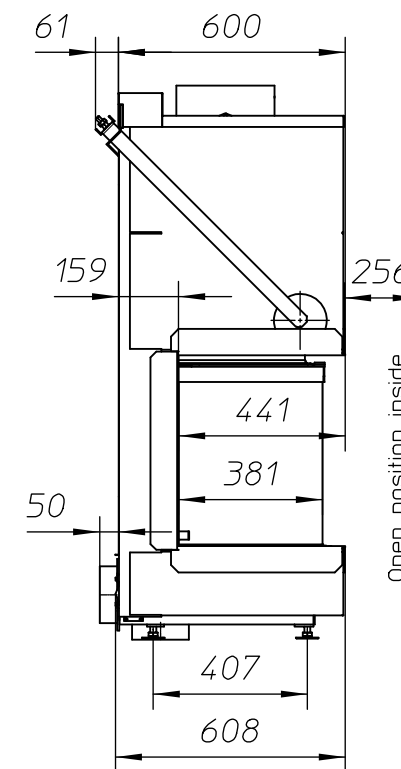
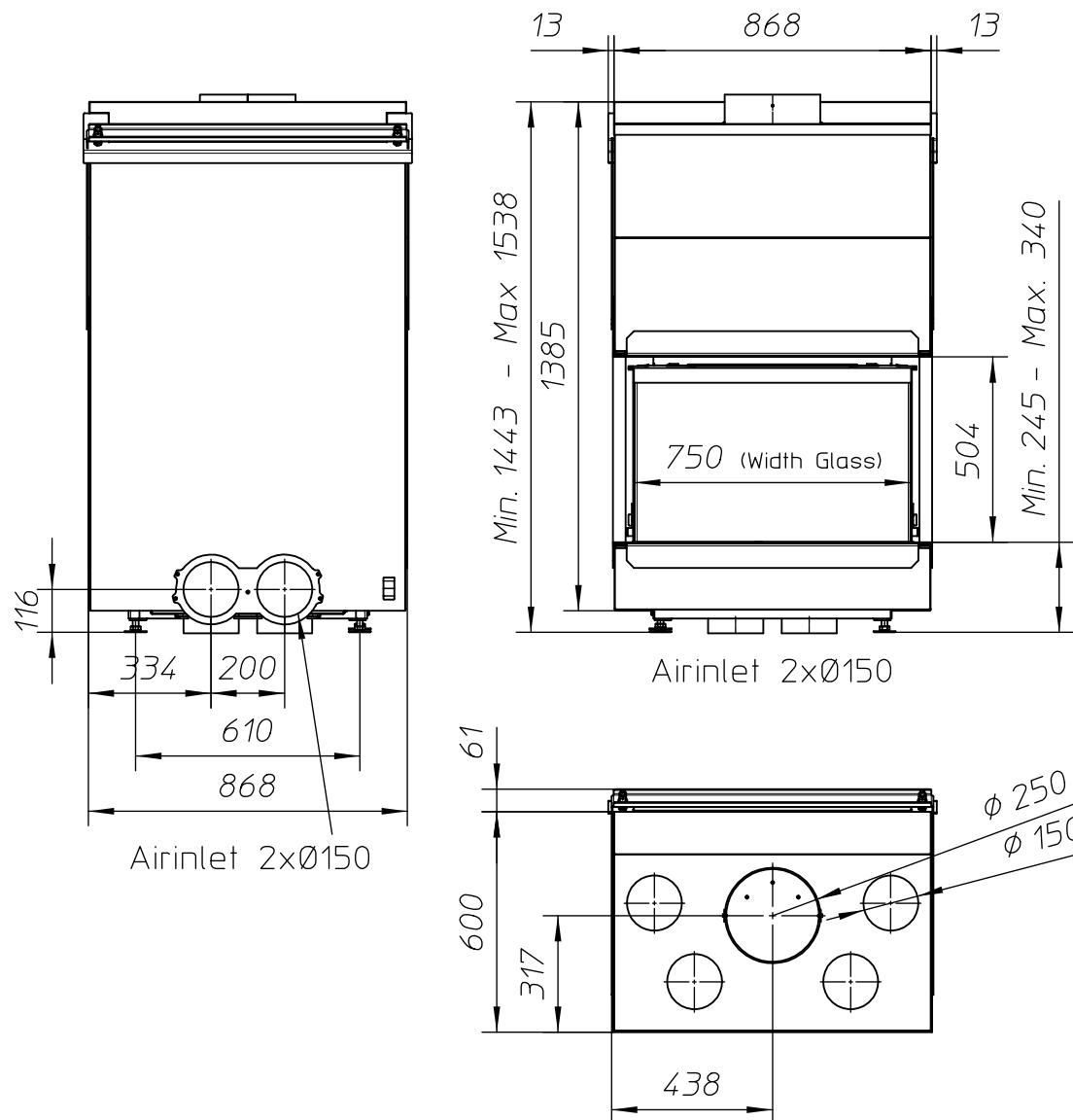
First aid and technical support:

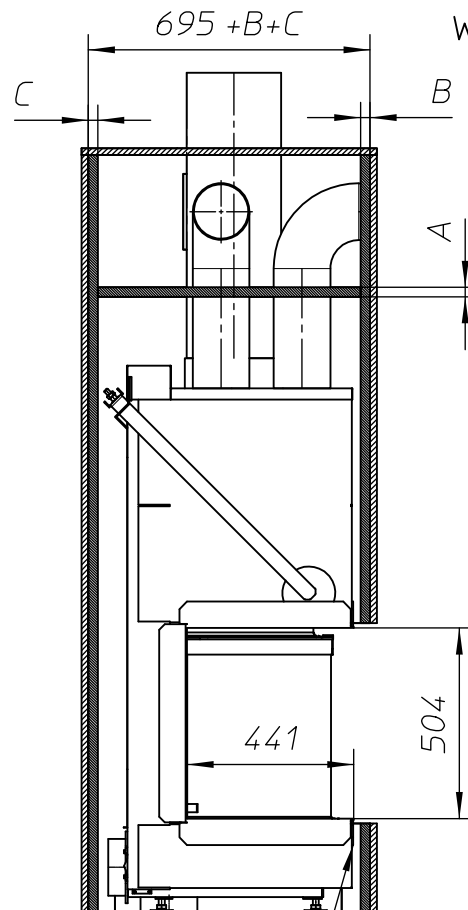
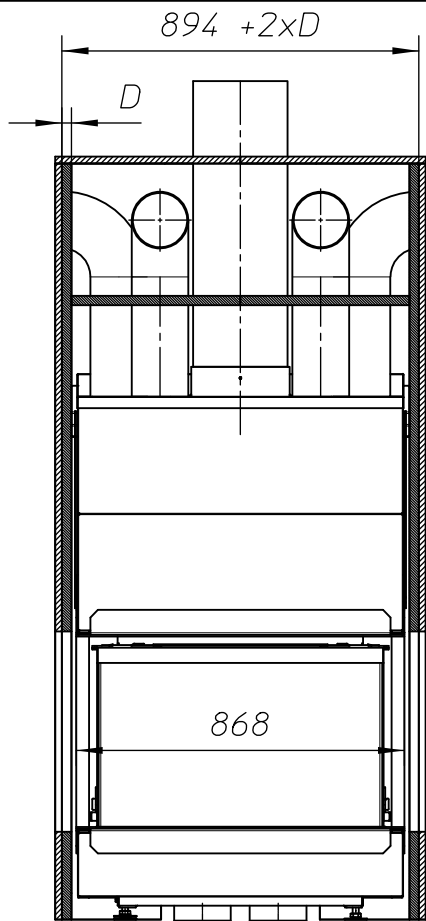
- support@metalfire.eu
- +32 (0)9 261 50 57

scale 1:20 Rev. -1

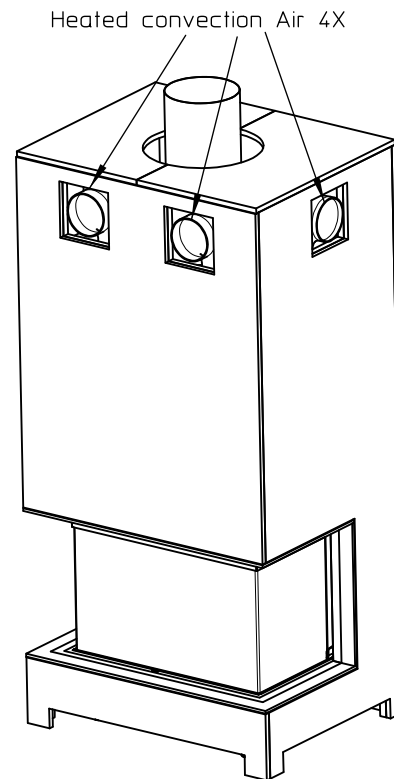
www.metalfire.eu EN 13229 C€

General dimensional tolerances up to 6mm Sheet 1/3
Metalfire preserves the right to modify specifications without previous notice

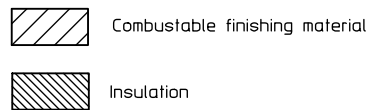
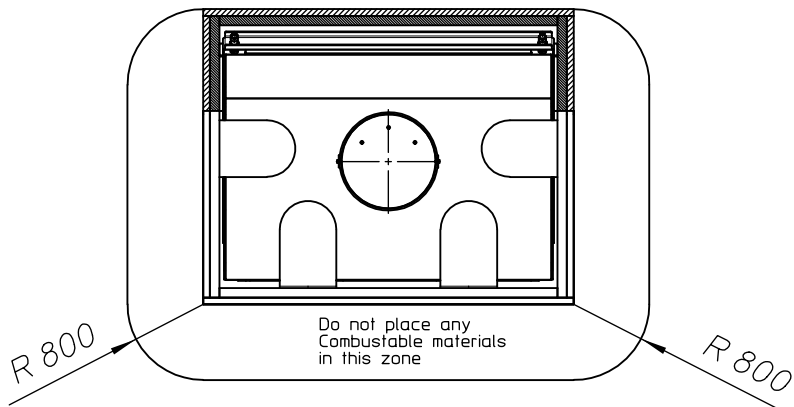




WITHOUT FINISHING FRAME



Min. 13mm between fireplace and insulation



ULTIME D Patented

metalfire

Technical Document

ULTIME D MF 800-50 WHE 3S V20

Dimensions (mm)

- combustion opening WxDxH: 868x441x504
- external WxDxH: 868x600x1443
- fresh air: 2xØ150
- diameter flue: Ø250

Technical Data

- Ecolabel: A+
- capacity: 16kW
- efficiency capacity: 82%
- CO (volume with 13%O₂): 0.061%
- dust (volume with 13%O₂): 23.6mg/Nm³
- weight: 320kg
- Air intake to convection: minimum 720cm²(4xØ150)
- Air exhaust to convection: minimum 720cm²(4xØ150)

Specifications

- inside finishing: heat-resistant black paint
- vermiculite insulation plates
- convection jacket in galvanized steel
- back and sides: ribbed cast iron
- interior finishing: ORIGINAL (ribbed cast iron)

Options

- Finishing frame

Table: prescribed insulation thickness (mm)

Combustible finishing material				
	A	B	C	D
Test report (TC = 0,14 W/mK)	25	25	25	25

Non-combustible finishing material				
non-combustible materials (structural building items EXCLUDED e.g. load bearing walls)	A	B	C	D
	0	0	0	0

TC = thermal conductivity NC = non-combustible

First aid and technical support:

- support@metalfire.eu
- +32 (0)9 261 50 57

scale 1:20 Rev. -1

www.metalfire.eu EN 13229 C€

General dimensional tolerances up to 6mm Sheet 2/3
 Metalfire preserves the right to modify specifications without previous notice

ULTIME D Patented

metalfire

Technical Document

ULTIME D MF 800-50 WHE 3S V20

Dimensions (mm)

- combustion opening WxHxD: 868x441x504
- external WxDxH: 868x600x1443
- fresh air: 2xØ150
- diameter flue: Ø250

Technical Data

- Ecolabel: A+
- capacity: 16kW
- efficiency capacity: 82%
- CO (volume with 13%O₂): 0.061%
- dust (volume with 13%O₂): 23.6mg/Nm³
- weight: 320kg

- Air intake to convection: minimum 720cm²(4xØ150)
- Air exhaust to convection: minimum 720cm²(4xØ150)

Specifications

- inside finishing: heat-resistant black paint
- vermiculite insulation plates
- convection jacket in galvanized steel
- back and sides: ribbed cast iron
- interior finishing: ORIGINAL (ribbed cast iron)

Options

- Finishing frame

Table: prescribed insulation thickness (mm)

Test report (TC = 0,14 W/mk)	Combustible finishing material			
	A	B	C	D
	NC	40	70	50
Non-combustable finishing material				
non-combustable materials (structural building items EXCLUDED e.g. load bearing walls)	0	0	0	0
TC = thermal conductivity NC = non-combustable				

First aid and technical support:

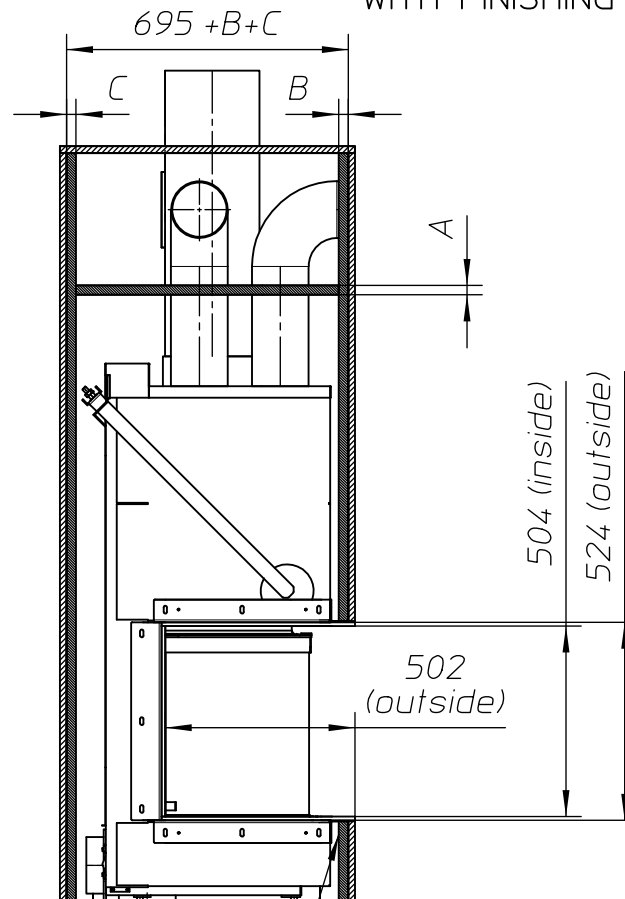
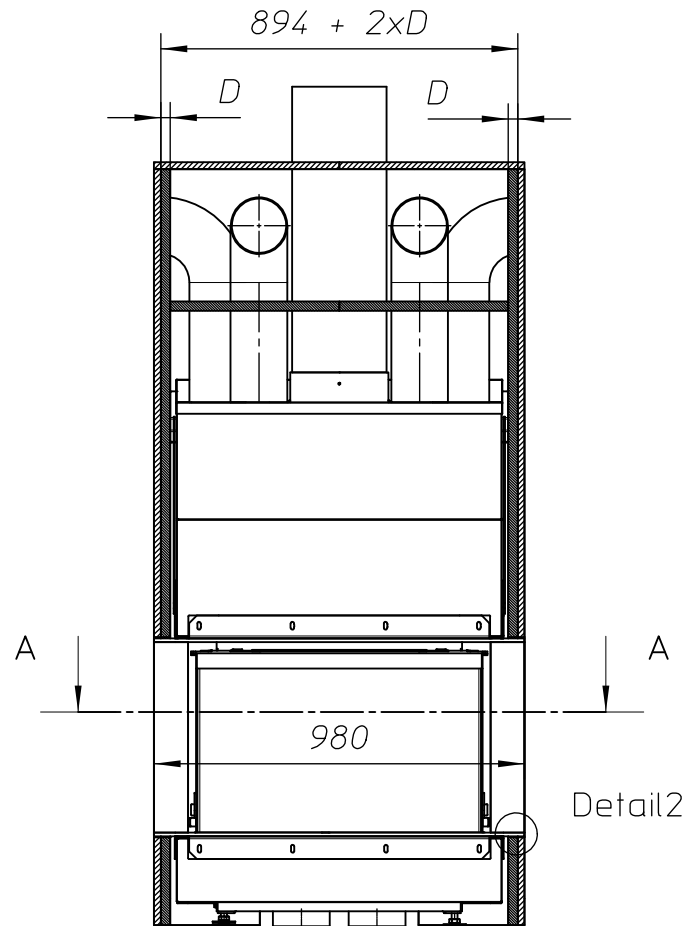
- support@metalfire.eu
- +32 (0)9 261 50 57

scale 1:20 Rev. -1

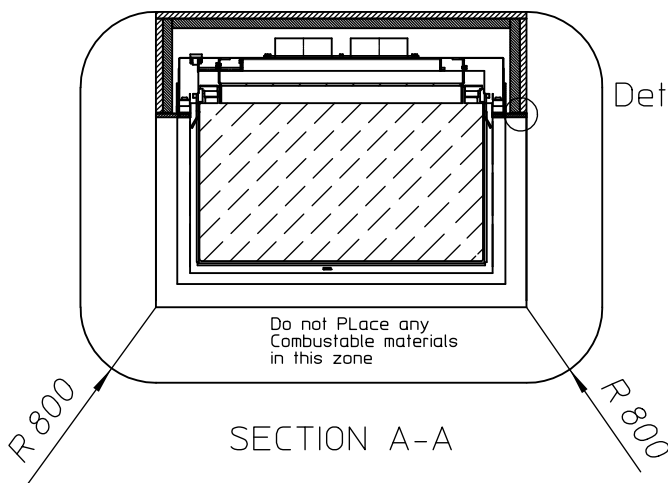
www.metalfire.eu EN 13229 CE

General dimensional tolerances up to 6mm Sheet 3/3
 Metalfire preserves the right to modify specifications without previous notice

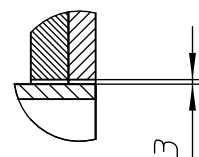
WITH FINISHING FRAME 90/10



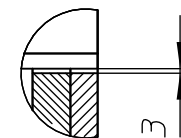
Min. 13mm between fireplace and insulation



Detail 1



Detail 1
Scale 1:5



Detail 2
Scale 1:5

- Combustible finishing material
- Insulation

