

Scale 1:40

UNIVERSAL Patented

metalfire

Technical Document

Model: UNIVERSAL MF 800-75 W 2SL

Dimensions (mm)

- combustion chamber WxDxH: 800 x 510 x 750
- external WxDxH: 873 x 585 x 2300
- stoke grate WxD: 550 x 370
- fresh air: 1 x Ø150

Specifications

- finishing: heat-resistant black paint
- lockable valve for fresh air and smoke gases
- two-piece cast iron stoke grate
- sliding door in metal wire mesh (black H-R paint)
- finishing: heat-resistant black paint
- interior finishing: ORIGINAL (ribbed cast iron)

Options

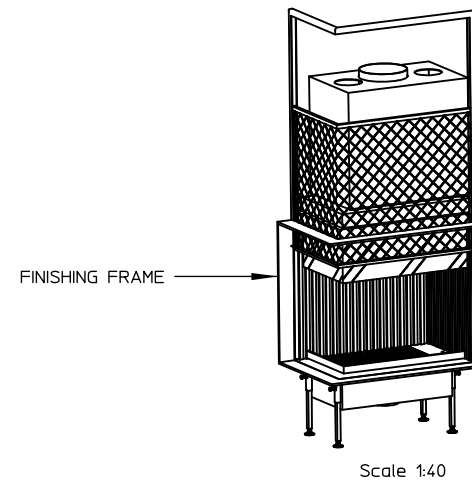
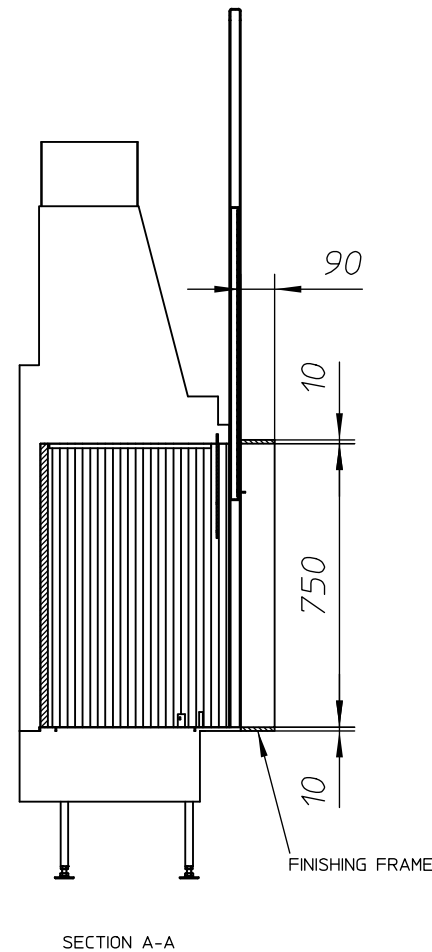
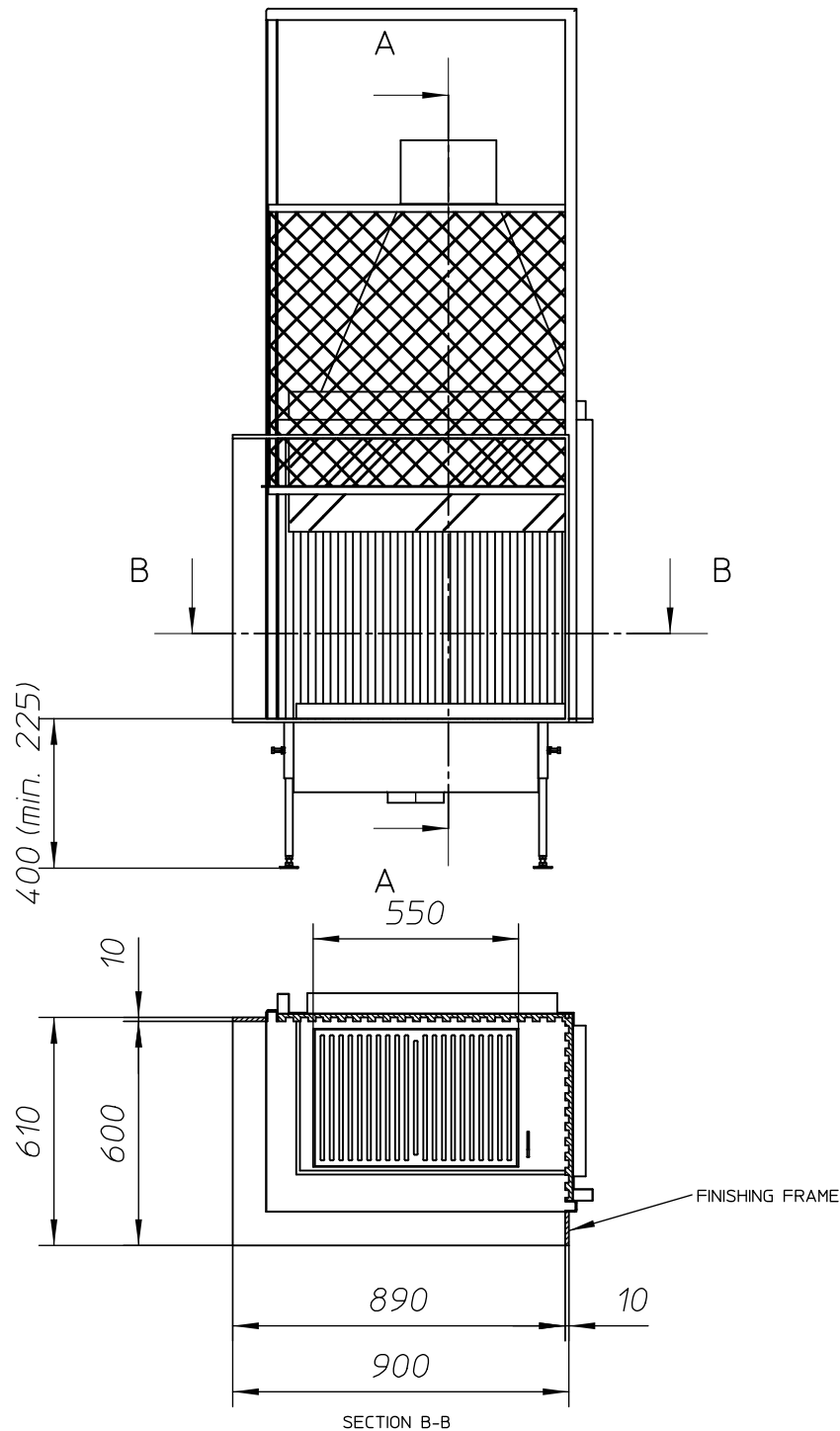
- chimney fan RSV 14
- convection jacket (see options)
- interior finishing: MINIMAL DESIGN

First aid and technical support:

- support@metalfire.eu
- +32 (0)9 261 50 57

| | |
|--|-----------|
| scale 1:20 | Rev. -1 |
| www.metalfire.eu | |
| General dimensional tolerances up to 6mm Metalfire preserves the right to modify specifications without previous notice | Sheet 1/4 |

WITH FINISHING FRAME



UNIVERSAL Patented

metalfire

Technical Document

Model: UNIVERSAL MF 800-75 W 2SL



Dimensions (mm)

- combustion chamber WxDxH 800 x 510 x 750
- external WxDxH: 873 x 585 x 2300
- stoke grate WxD: 550 x 370
- fresh air: 1 x Ø150

Specifications

- finishing: heat-resistant black paint
- lockable valve for fresh air and smoke gases
- two-piece cast iron stoke grate
- sliding door in metal wire mesh (black H-R paint)
- finishing: heat-resistant black paint
- interior finishing: ORIGINAL (ribbed cast iron)

Options

- chimney fan RSV 14
- convection jacket (see options)
- interior finishing: MINIMAL  DESIGN 

First aid and technical support:

- support@metalfire.eu
- +32 (0)9 261 50 57

scale 1:20

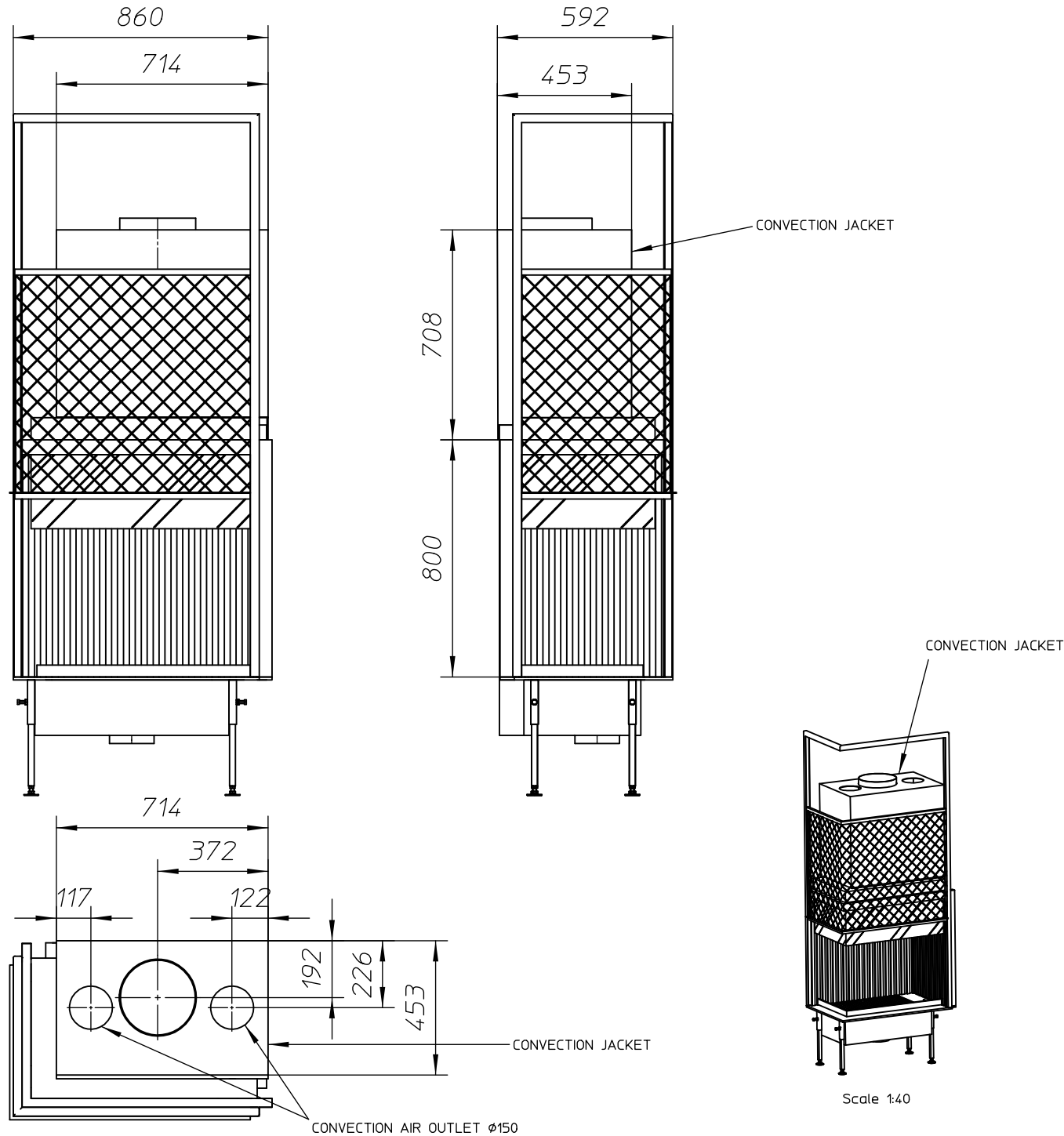
Rev. -1

www.metalfire.eu

General dimensional tolerances up to 6mm
Metalfire preserves the right to modify specifications without previous notice

Sheet 2/4

WITH CONVECTION JACKET



UNIVERSAL Patented

metalfire

Technical Document

Model: UNIVERSAL MF 800-75 W 2SL


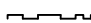
Dimensions (mm)

- combustion chamber WxDxH 800 x 510 x 750
- external WxDxH: 873 x 585 x 2300
- stoke grate WxD: 550 x 370
- fresh air: 1 x $\varnothing 150$

Specifications

- finishing: heat-resistant black paint
- lockable valve for fresh air and smoke gases
- two-piece cast iron stoke grate
- sliding door in metal wire mesh (black H-R paint)
- finishing: heat-resistant black paint
- interior finishing: ORIGINAL (ribbed cast iron)

Options

- chimney fan RSV 14
- convection jacket (see options)
- interior finishing: MINIMAL  DESIGN 

First aid and technical support:

- support@metalfire.eu
- +32 (0)9 261 50 57

scale 1:20

Rev.
-1

www.metalfire.eu

General dimensional tolerances up to 6mm
Metalfire preserves the right to modify specifications without previous notice

Sheet
3/4

Model: UNIVERSAL MF 800-75 W 2SL



Dimensions (mm)

- combustion chamber WxDxH: 800 x 510 x 750
- external WxDxH: 873 x 585 x 2300
- stoke grate WxD: 550 x 370
- fresh air: 1 x \varnothing 150

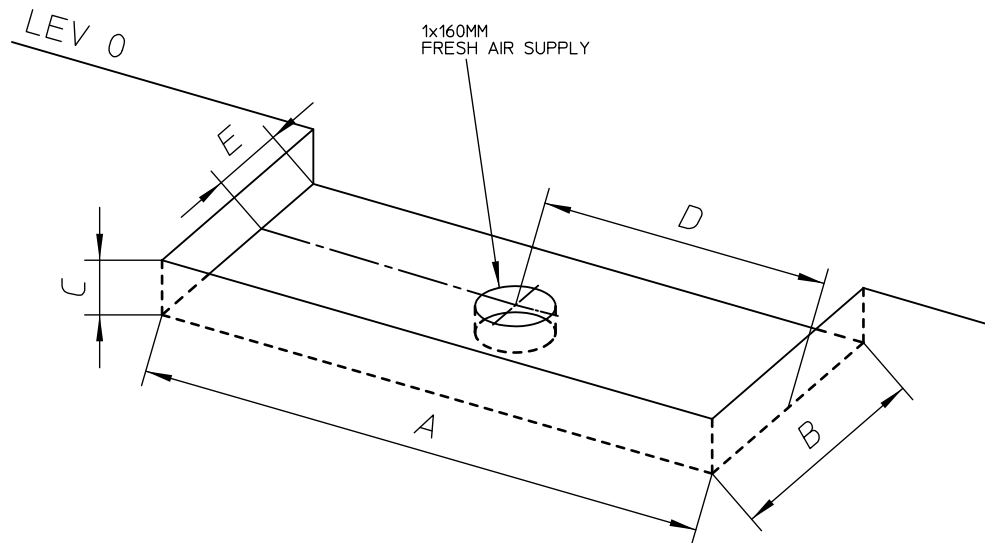
Specifications

- finishing: heat-resistant black paint
- lockable valve for fresh air and smoke gases
- two-piece cast iron stoke grate
- sliding door in metal wire mesh (black H-R paint)
- finishing: heat-resistant black paint
- interior finishing: ORIGINAL (ribbed cast iron)

Options

- chimney fan RSV 14
- convection jacket (see options)
- interior finishing: MINIMAL  DESIGN 

| (mm) | A | B | C | D | E |
|-----------------|------|-----|-----|-----|-----|
| MF 800-50/75 1S | 1010 | 600 | 225 | A/2 | 360 |
| MF 800-50/75 2S | 955 | 600 | 225 | A/2 | 360 |
| MF 800-50 3S | 960 | 630 | 280 | A/2 | 390 |
| MF 800-50/75 T | 1010 | 590 | 225 | A/2 | 360 |
| MF 800-75 BBQ | 1030 | 600 | 225 | A/2 | 360 |



First aid and technical support:

- support@metalfire.eu
- +32 (0)9 261 50 57

scale 1:20

Rev.
-1

www.metalfire.eu

General dimensional tolerances up to 6mm
Metalfire preserves the right to modify specifications without previous notice

Sheet
4/4