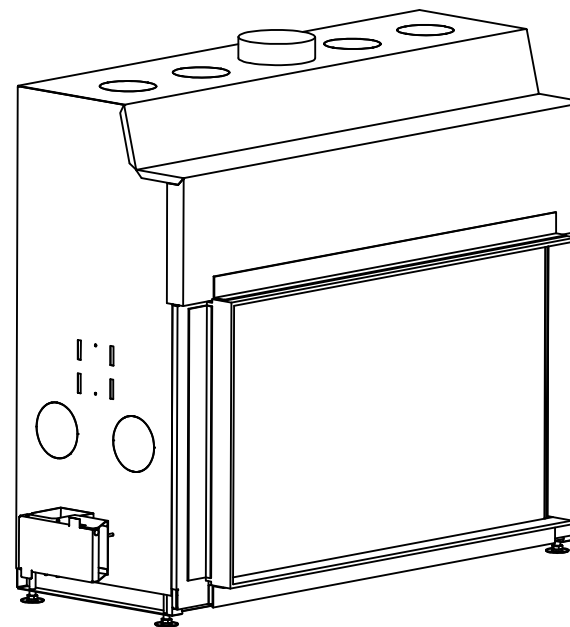
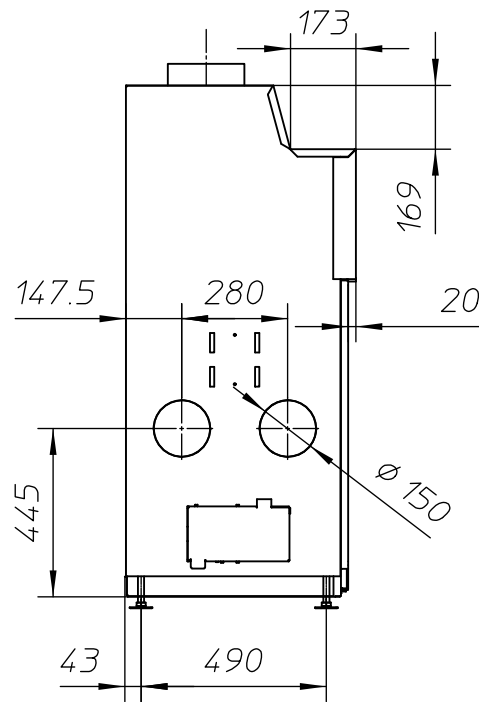
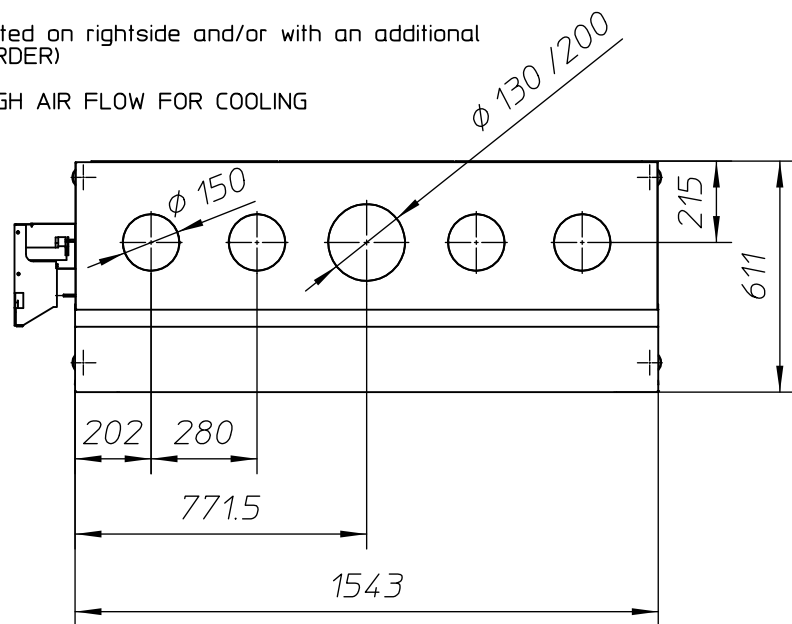


Electrical/gas control unit
Standard connected on left side with 1M flexible tube

Optimal connected on rightside and/or with an additional
1M tube (AT ORDER)

FORSEE ENOUGH AIR FLOW FOR COOLING



AVENUE Patented

metalfire

Technical Document

Model: AVENUE L MF 1300-75 GHE 1S

Dimensions (mm)

- combustion opening WxH: 1300x750
- glass door WxH: 1294x787
- external WxDxH: 1580x611x1485
- diameter flue: Ø130/200 or
(*) Ø100/150

Technical Data

- appliance type: C11/C31/C31S
- load: 14kW
- efficiency capacity: 80%
- type of gas/pressure: G20/G25/G30/G31
- gascat: I2E+, I2H, I2E,
I2L, I3+, I3BP
- weight: 180kg
- Air intake to convection : minimum 700cm² (4xØ180)
- Air exhaust from convection : minimum 700cm² (4xØ180)

Specifications

- only available with ceramic wood logs
- ionization-protected pilot-flame
- radiographic remote control with
thermostatic mode
- inside finishing: heat-resistant black paint
- gas/electrical connections at the left side

Options

- promat insulation kit
- interior finishing: ORIGINAL (ribbed cast iron)

STANDARD (steel)

First aid and technical support:

- support@metalfire.eu
- +32 (0)9 261 50 57

scale 1:20	Rev. -1
www.metalfire.eu	EN 613 CE
General dimensional tolerances up to 6mm Metalfire preserves the right to modify specifications without previous notice	Sheet 1/3

AVENUE Patented

metalfire

Technical Document

Model: AVENUE L MF 1300-75 GHE 1S

Dimensions (mm)

- combustion opening WxH: 1300x750
- glass door WxH: 1294x787
- external WxDxH: 1580x611x1485
- diameter flue: $\phi 130/200$ or $(*) \phi 100/150$

Technical Data

- appliance type: C11/C31/C31S
- load: 14kW
- efficiency capacity: 80%
- type of gas/pressure: G20/G25/G30/G31
- gascat: I2E+, I2H, I2E, I2L, I3+, I3BP
- weight: 180kg
- Air intake to convection : minimum $700\text{cm}^2 (4 \times \phi 180)$
- Air exhaust from convection : minimum $700\text{cm}^2 (4 \times \phi 180)$

Specifications

- only available with ceramic wood logs
- ionization-protected pilot-flame
- radiographic remote control with thermostatic mode
- inside finishing: heat-resistant black paint
- gas/electrical connections at the left side

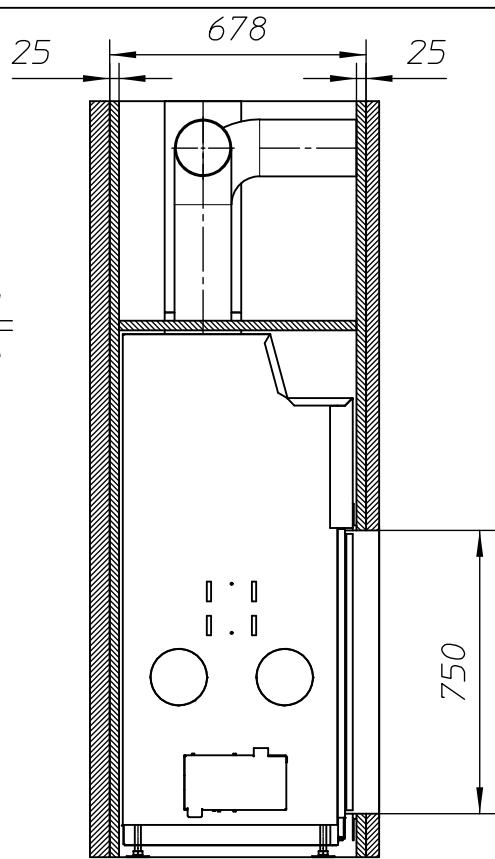
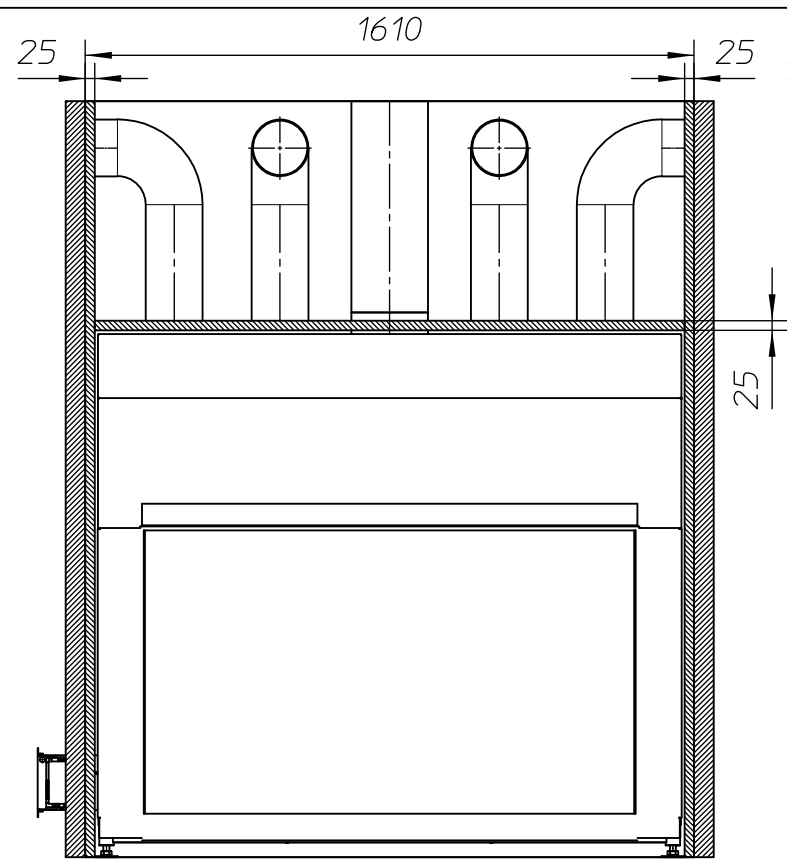
Options

- promat insulation kit
- interior finishing: ORIGINAL (ribbed cast iron)
- STANDARD (steel)

First aid and technical support:

- support@metalfire.eu
- +32 (0)9 261 50 57

scale 1:20	Rev. -1
www.metalfire.eu	EN 613 CE
General dimensional tolerances up to 6mm Metalfire preserves the right to modify specifications without previous notice	Sheet 2/3

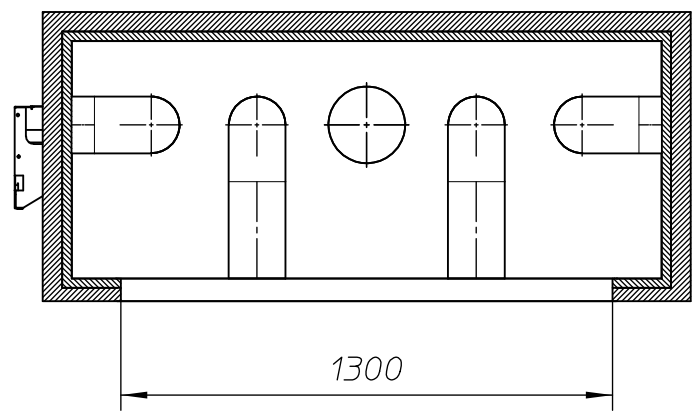


Without finishing frame

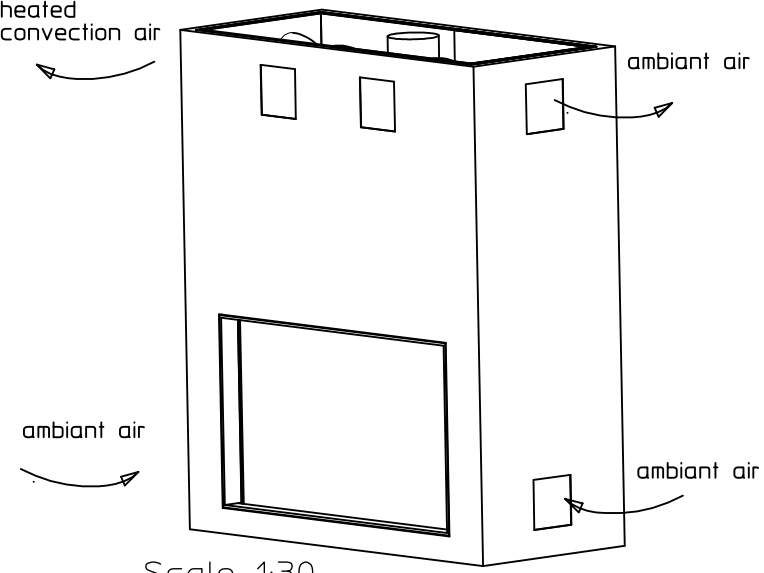
Electrical/gas control unit
Standard connected on left side with 1M flexible tube

Optimal connected on rightside and/or with an additional 1M tube (AT ORDER)

FORSEE ENOUGH AIR FLOW FOR COOLING



heated convection air



Scale 1:30

AVENUE Patented

metalfire

Technical Document

Model: AVENUE L MF 1300-75 GHE 1S

Dimensions (mm)

- combustion opening WxH: 1300x750
- glass door WxH: 1294x787
- external WxDxH: 1580x611x1485
- diameter flue: $\phi 130/200$ or $(*) \phi 100/150$

Technical Data

- appliance type: C11/C31/C31S
- load: 14kW
- efficiency capacity: 80%
- type of gas/pressure: G20/G25/G30/G31
- gascat.: I2E+, I2H, I2E, I2L, I3+, I3BP
- weight: 180kg
- Air intake to convection : minimum $700\text{cm}^2 (4 \times \phi 180)$
- Air exhaust from convection : minimum $700\text{cm}^2 (4 \times \phi 180)$

Specifications

- only available with ceramic wood logs
- ionization-protected pilot-flame
- radiographic remote control with thermostatic mode
- inside finishing: heat-resistant black paint
- gas/electrical connections at the left side

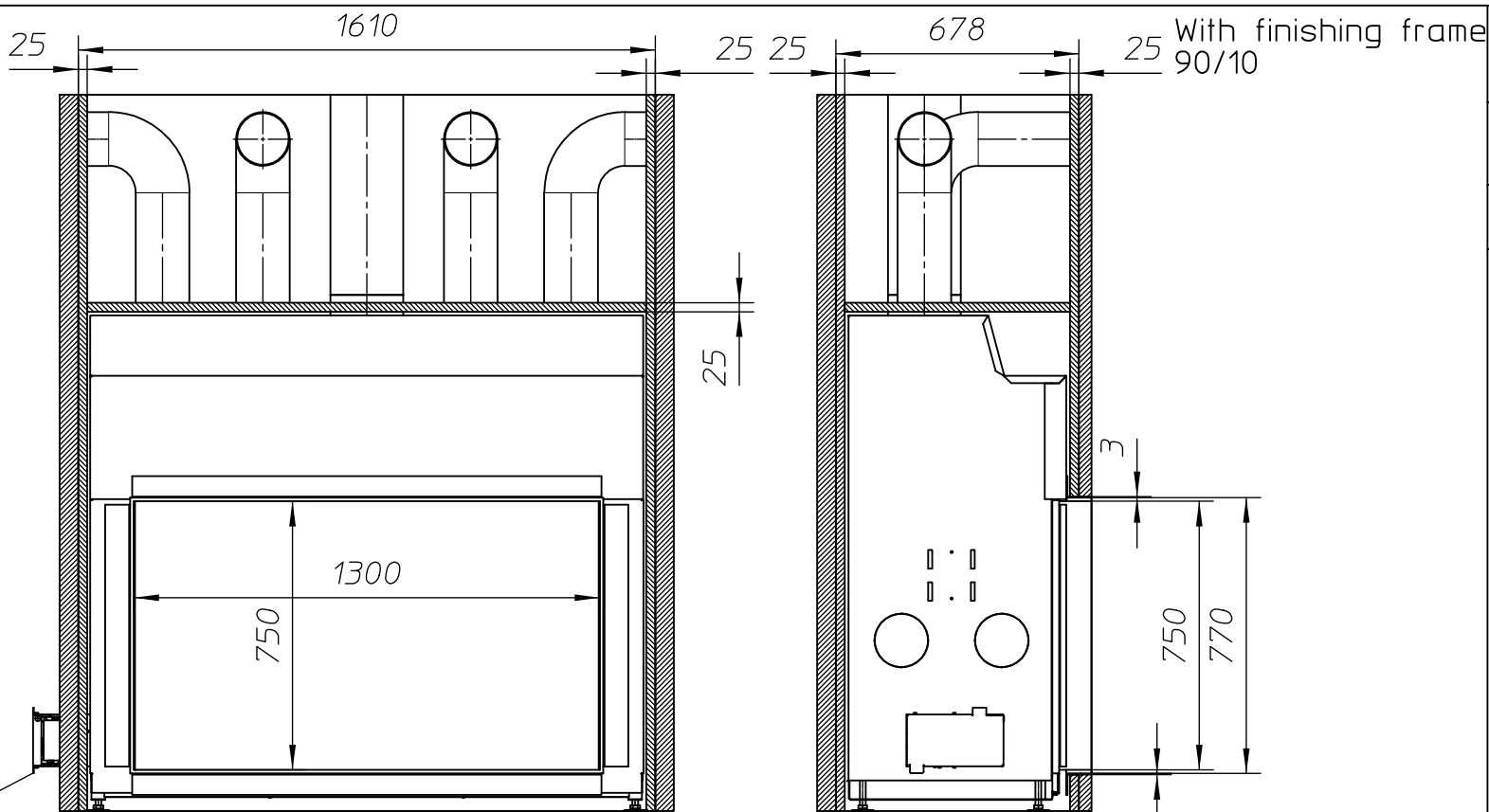
Options

- promat insulation kit
- interior finishing: ORIGINAL (ribbed cast iron)

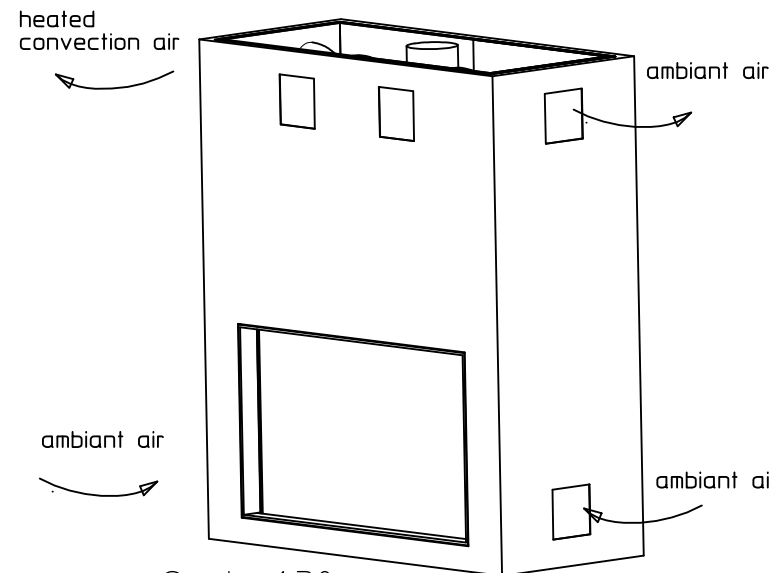
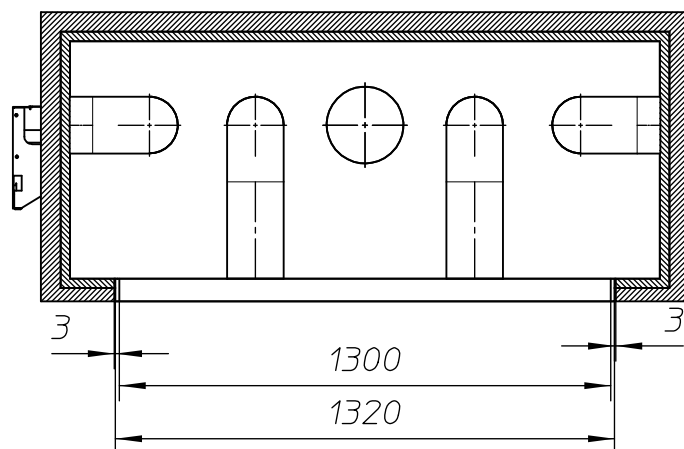
STANDARD (steel)

First aid and technical support:

- support@metalfire.eu
- +32 (0)9 261 50 57



Electrical/gas control unit
 Standard connected on left side with 1M flexible tube
 Optimal connected on rightside and/or with an additional 1M tube (AT ORDER)
 FORSEE ENOUGH AIR FLOW FOR COOLING



scale 1:20	Rev. -1
www.metalfire.eu	EN 613 CE
General dimensional tolerances up to 6mm Metalfire preserves the right to modify specifications without previous notice	Sheet 3/3