

AVENUE+ MF 700-60 GHE 2SR

Dimensions (mm)

- combustion opening WxDxH: 744x336x590
- external WxDxH: 828x444x970
- diameter flue: $\varnothing 100/150$ or $(*) \varnothing 80/125$

TECHNICAL DATA

- Gascat: I2E+, I2E, I2H, I2L, I2ELL
 - ECOLABEL: A
 - load input: 6,50 kW
 - load output: 5,80 kW
 - efficiency capacity: 90,1 %
 - type of gas/pressure: G20/G25
-
- Gascat: I3B/P, I3+
 - ECOLABEL: B
 - load input: 5,80 kW
 - load output: 4,70 kW
 - efficiency capacity: 81,2 %
 - type of gas/pressure: G30/G31
-
- Appliance type: C11,C31,C91
C12,C32,C42,C52,C82
 - Weight: 100 kg
 - Convection air inlet: min350cm² (2x $\varnothing 150$)
 - Convection air outlet: min350cm² (2x $\varnothing 150$)

SPECIFICATIONS

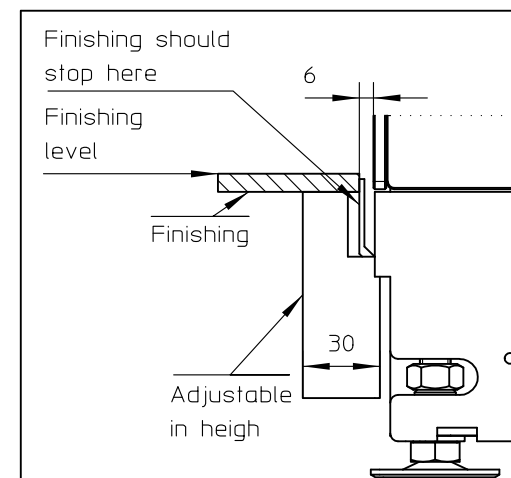
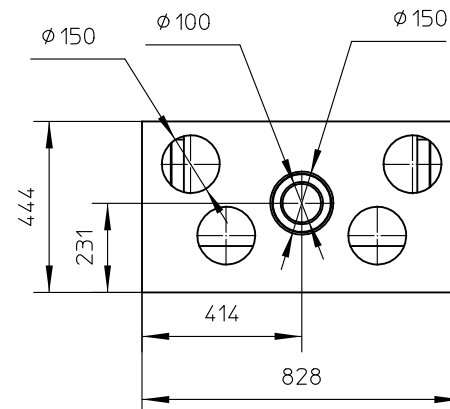
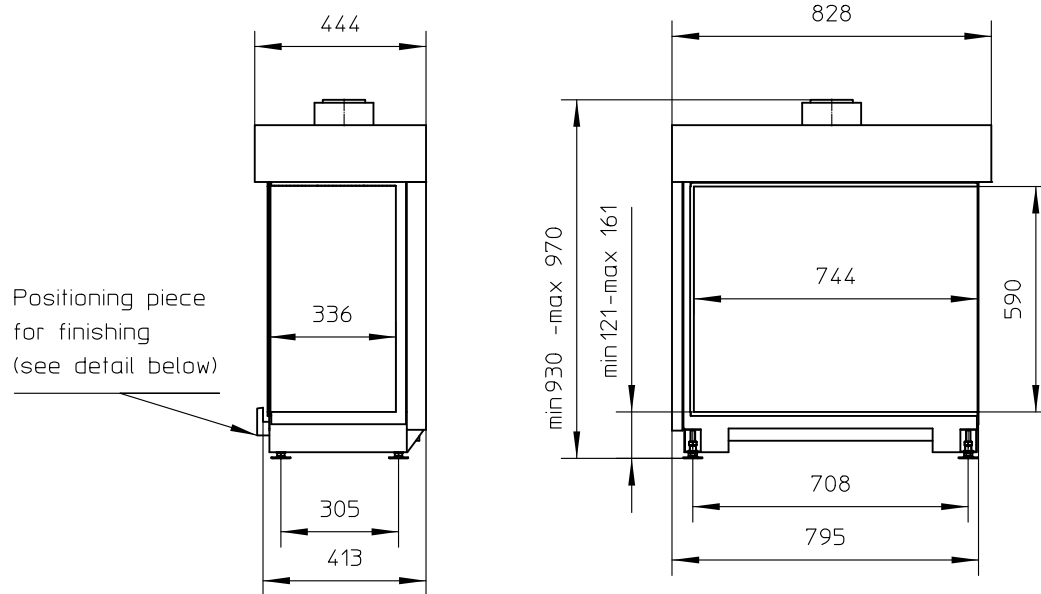
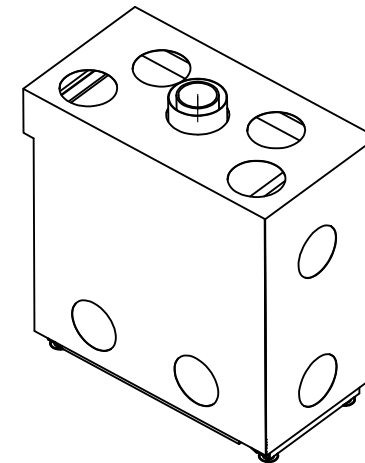
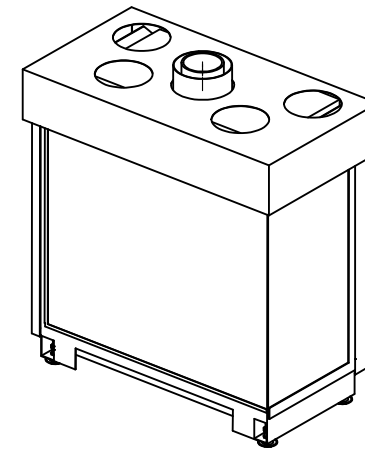
- Only available with ceramics wood logs
- Ionization-protected pilot-flame
- Radiographic remote controle with thermostatic mode
- Inside finishing: heat-resistant black point
- Gas/electrical connections at the left side (optional right side)

OPTIONS

- interior finishing: ORIGINAL (ribbed cast iron) 
- Standard (steel) 

First aid and technical support:

- support@metalfire.eu
- +32 (0)9 261 50 57



WITHOUT FINISHING FRAME

AVENUE Patented

metalfire

Technical Document

AVENUE+ MF 700-60 GHE 2SR

Prescribed insulation thickness (mm)

Combustable finishing material

Metalfire recommended
Promasil 1100L
(TC=0,081 W/mK)

A = 25mm

Non-combustable finishing material

non-combustable
materials
structural building items
EXCLUDED e.g load bearing walls

A = 0mm

TC-thermot conductivity

TC-non-combustable

Table: AVENUE+ MF 700-60 GHE 2SR

Installation dimensions (mm)

P	Q	R	S	T	Z
747	590	854	850	616	NA

First aid and technical support:
- support@metalfire.eu
- +32 (0)9 261 50 57

scale 1:20

Rev.

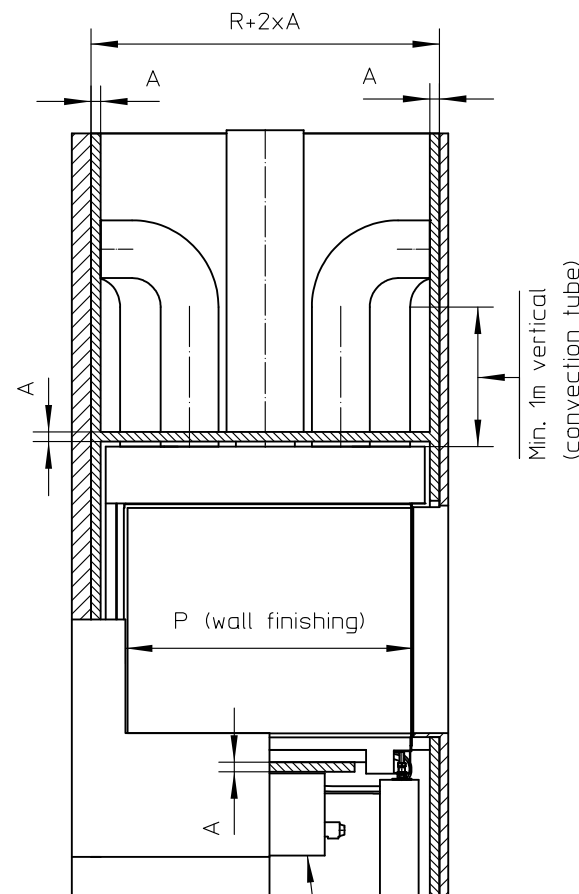
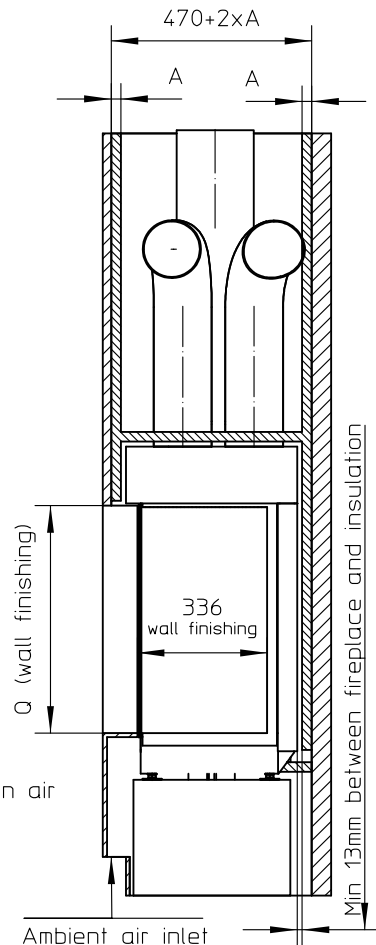
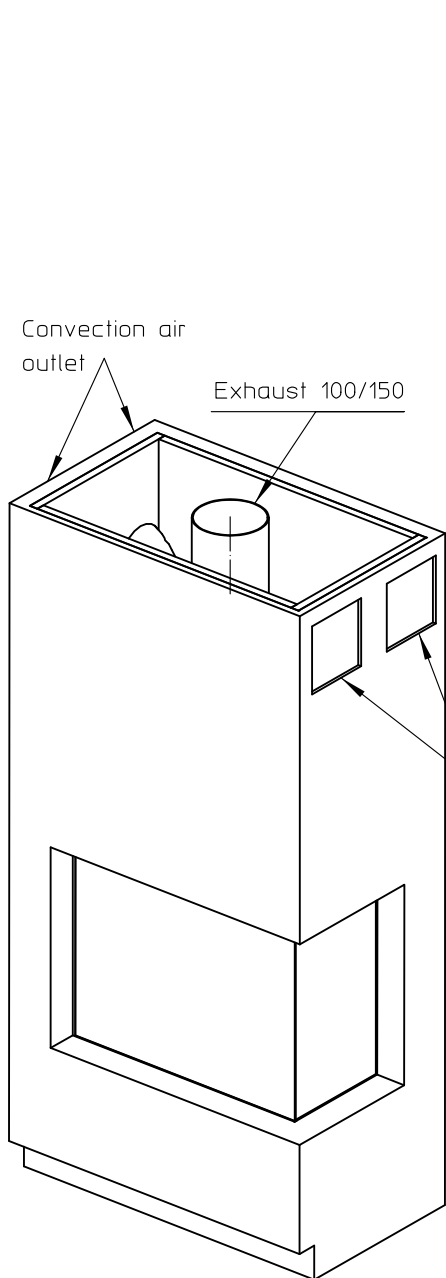
www.metalfire.eu

EN 613

CE

General dimensional tolerances up to 6mm
Metalfire preserves the right to modify specifications without previous notice

Sheet
2/3

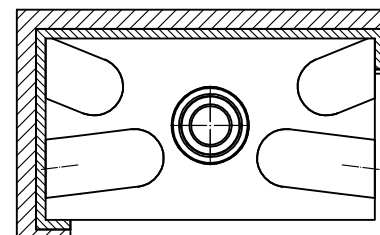


Electrical/gas control unit

Standard connected with 1m flexible tube.

Optional: connected on right side and/or with an additional 1m tube(AT ORDER)

FORESEE ENOUGH AIR FLOW FOR COOLING



Combustable finishing material

Insulation

Insulation thickness = > see table

WITH FINISHING FRAME 90/10

AVENUE Patented

metalfire

Technical Document

AVENUE+ MF 700-60 GHE 2SR

Prescribed insulation thickness (mm)

Combustable finishing material

Metalfire recommended
Promasil 1100L
(TC=0,081 W/mK)

A = 25mm

Non-combustable finishing material

non-combustable
materials
structural building items
EXCLUDED e.g load bearing walls

A = 0mm

TC-thermot conductivity

TC-non-combustable

Table: AVENUE+ MF 700-60 GHE 2SR

Installation dimensions (mm)

P	Q	R	S	T	Z
747	590	854	850	616	NA

First aid and technical support:
- support@metalfire.eu
- +32 (0)9 261 50 57

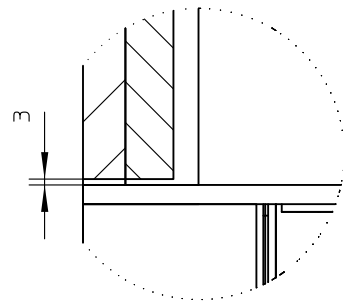
scale 1:20

www.metalfire.eu EN 613 CE

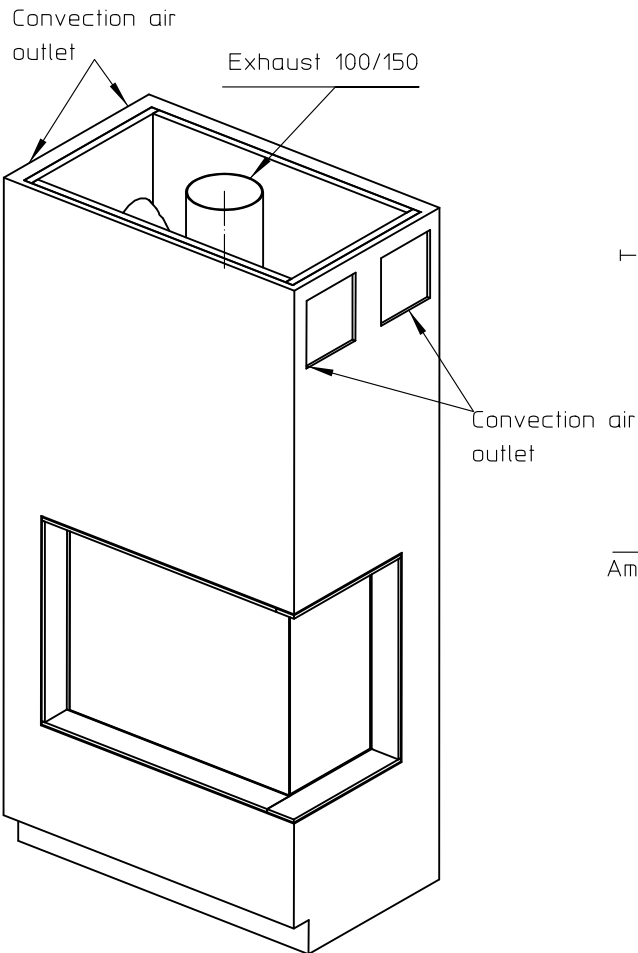
General dimensional tolerances up to 6mm
Metalfire preserves the right to modify specifications without previous notice

Rev.

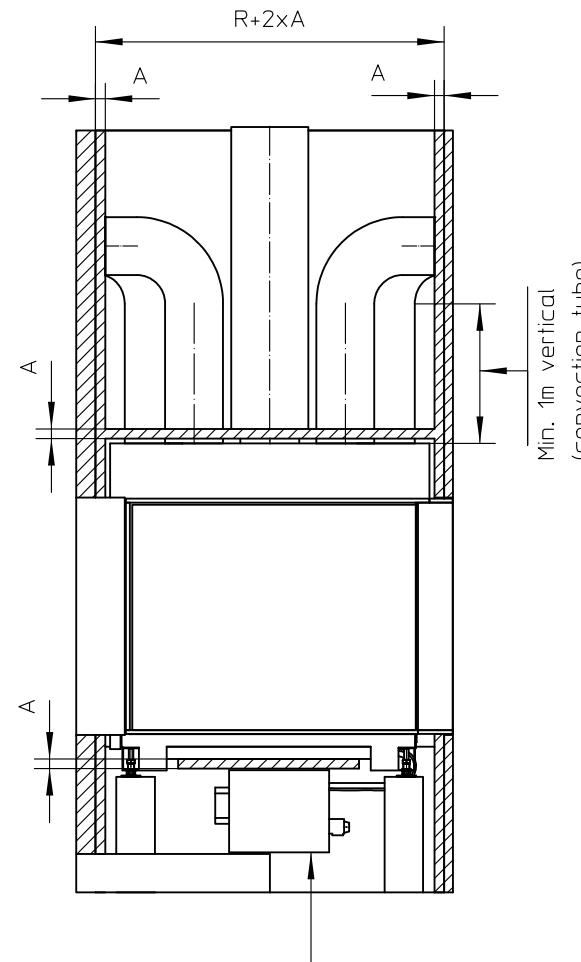
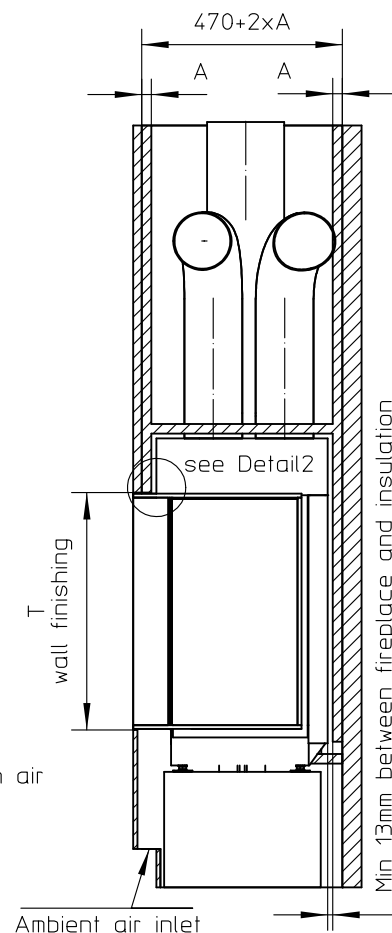
Sheet
3/3



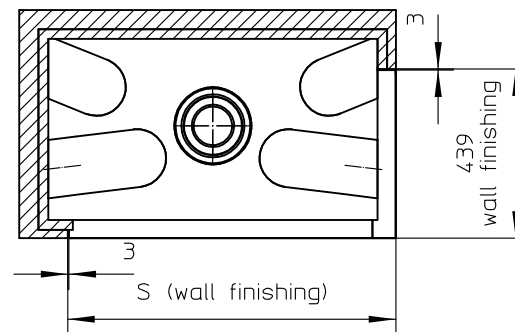
Detail2
SCALE 1:4



Convection air outlet
Exhaust 100/150
Convection air outlet



Electrical/gas control unit
Standard connected with 1m flexible tube.
Optional: connected on right side and/or with an additional 1m tube(AT ORDER)
FORESEE ENOUGH AIR FLOW FOR COOLING



Combustable finishing material

Insulation

Insulation thickness = > see table