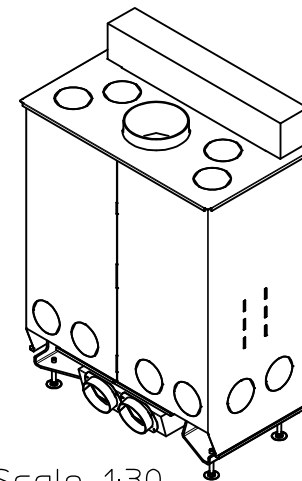


Scale 1:30



Scale 1:30

ULTIME D Patented

metalfire

Technical Document

Model: ULTIME D MF 800-50 WHE 1S

Dimensions (mm)

- combustion opening WxH: 836x506
- external WxDxH: 1060x619x1561
- fresh air: 2x150
- diameter flue: 250

Technical Data

- capacity: 16.6kW
- efficiency capacity: 80.2%
- CO (volume with 13%O₂): 0.07%
- dust (volume with 13%O₂): 32mg/m³
- weight: 405kg
- Air intake to convection: minimum 360cm² (2x150)
- Air exhaust to convection: minimum 720cm² (4x150)

Specifications

- inside finishing: heat-resistant black paint
- vermiculite insulation plates
- convection jacket in galvanized steel
- cast iron stoke grate
- back and sides: ribbed cast iron
- interior finishing: ORIGINAL (ribbed cast iron)

Options

- Promat insulation kit
- Finishing frame

Table: prescribed insulation thickness (mm)

Test report (TC = 0,14 W/mK)	Combustible finishing material				
	A	B	C	D	E
Metalfire recommended Promasil 1100L (TC = 0,081 W/mK)	75	NC	120	113	40
Non-combustable finishing material					
non-combustable materials (structural building items EXCLUDED e.g. load bearing walls)	0	0	0	0	0

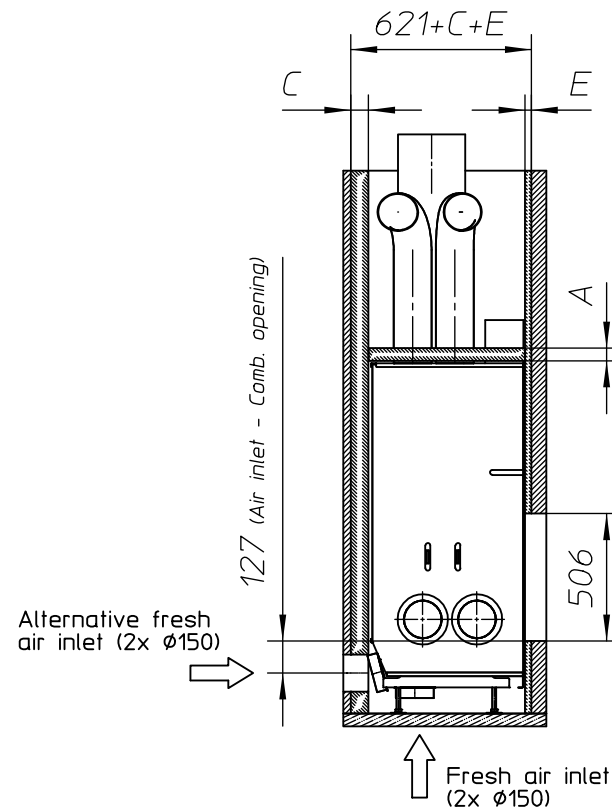
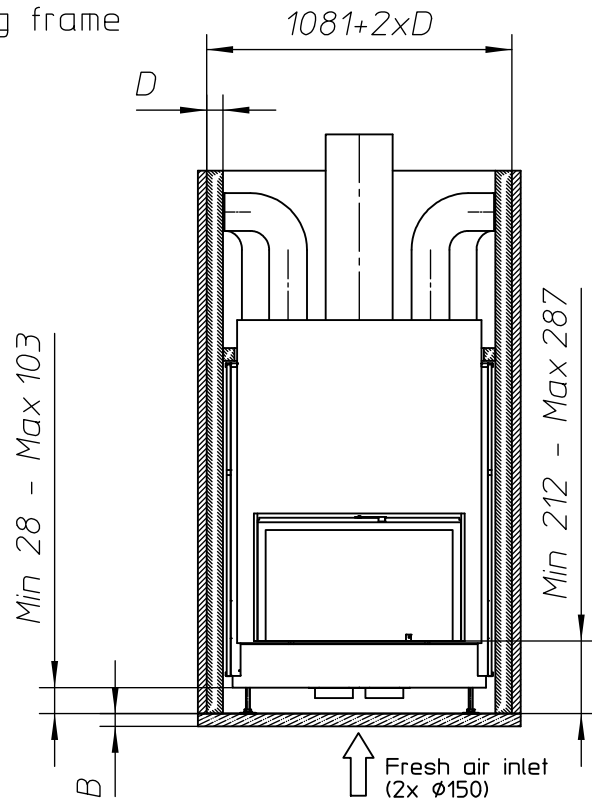
TC = thermal conductivity NC = non-combustable

First aid and technical support:

- support@metalfire.eu
- +32 (0)9 261 50 57

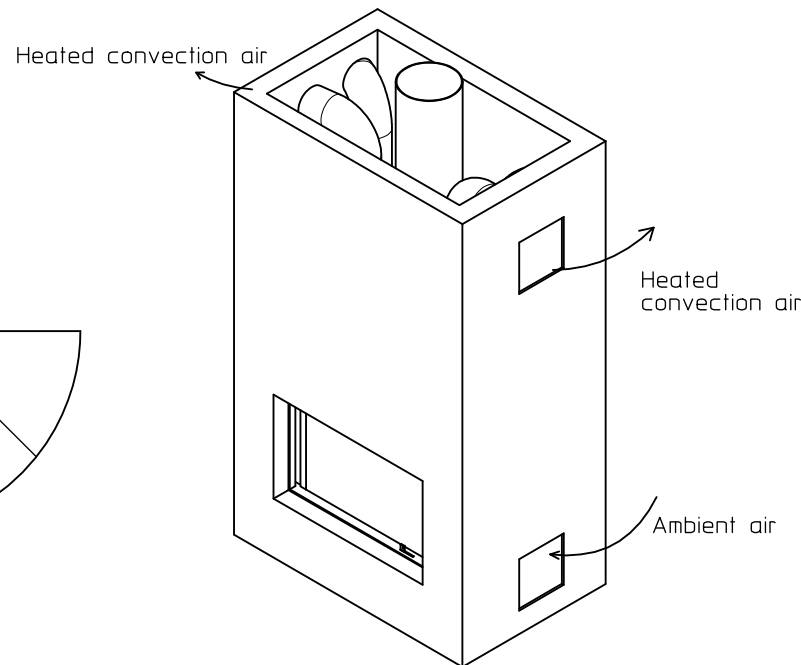
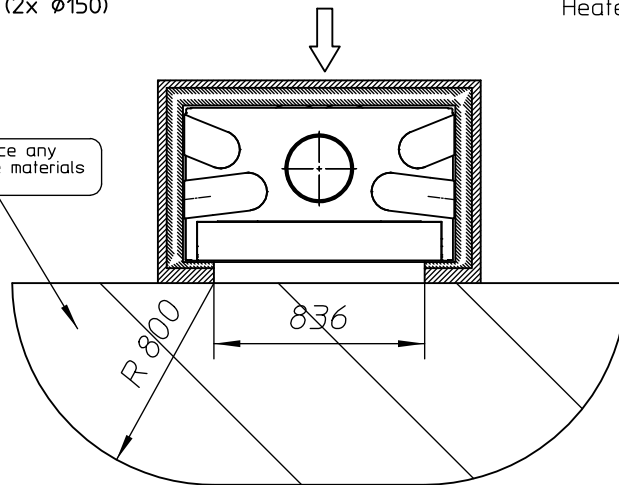
scale 1:20	Rev. A.1
www.metalfire.eu EN 13229	CE
General dimensional tolerances up to 6mm Metalfire preserves the right to modify specifications without previous notice	Sheet 1/3

Without finishing frame



Alternative fresh air inlet (2x Ø150)

Do NOT place any combustible materials in this zone



ULTIME D Patented

metalfire

Technical Document

Model: ULTIME D MF 800-50 WHE 1S

Dimensions (mm)

- combustion opening WxH: 836x506
- external WxDxH: 1060x619x1561
- fresh air: 2xØ150
- diameter flue: Ø250

Technical Data

- capacity: 16.6kW
- efficiency capacity: 80.2%
- CO (volume with 13%O₂): 0.07%
- dust (volume with 13%O₂): 32mg/m³
- weight: 405kg
- Air intake to convection: minimum 360cm²(2xØ150)
- Air exhaust to convection: minimum 720cm²(4xØ150)

Specifications

- inside finishing: heat-resistant black paint
- vermiculite insulation plates
- convection jacket in galvanized steel
- cast iron stoke grate
- back and sides: ribbed cast iron
- interior finishing: ORIGINAL (ribbed cast iron)

Options

- Promat insulation kit
- Finishing frame

Table: prescribed insulation thickness (mm)

Combustible finishing material					
	A	B	C	D	E
Test report (TC = 0,14 W/mK)	75	NC	120	113	40
Metalfire recommended Promasil 1100L (TC = 0,081 W/mK)	50	NC	70	65	25
Non-combustable finishing material					
non-combustable materials (structural building items EXCLUDED e.g. load bearing walls)	0	0	0	0	0

TC = thermal conductivity NC = non-combustable

First aid and technical support:

- support@metalfire.eu
- +32 (0)9 261 50 57

scale 1:20

Rev. A.1

www.metalfire.eu

EN 13229

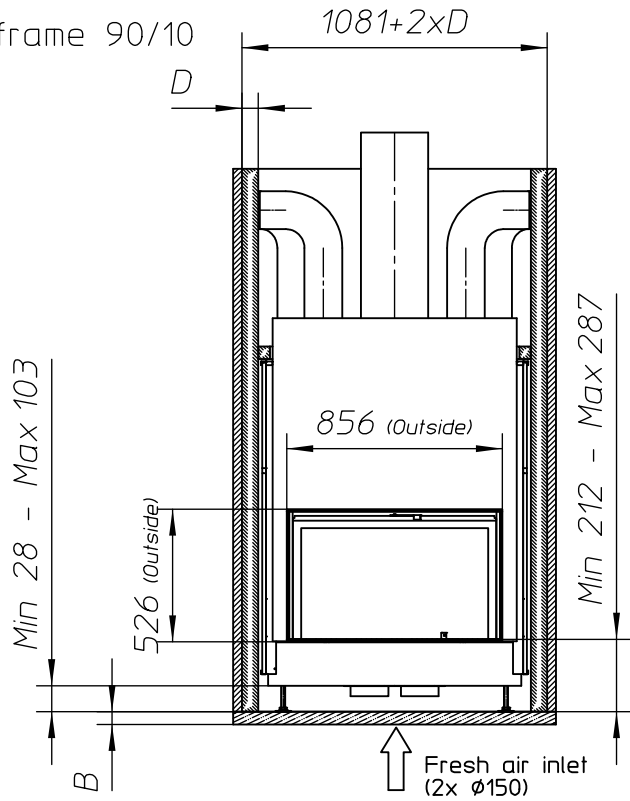
CE

General dimensional tolerances up to 6mm
Metalfire preserves the right to modify specifications without previous notice

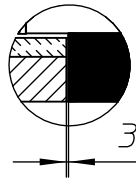
Sheet 2/3

- Combustible finishing material
- Non-combustible finishing material
- Insulation
- Insulation thickness => see table

With finishing frame 90/10

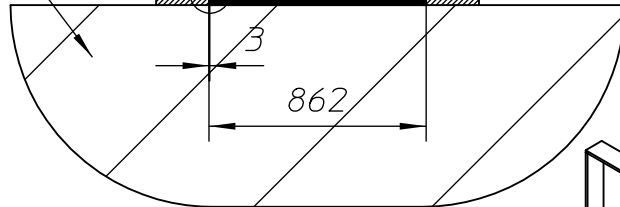
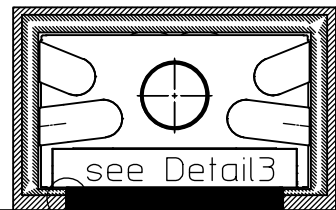


Detail3
Scale 1:10

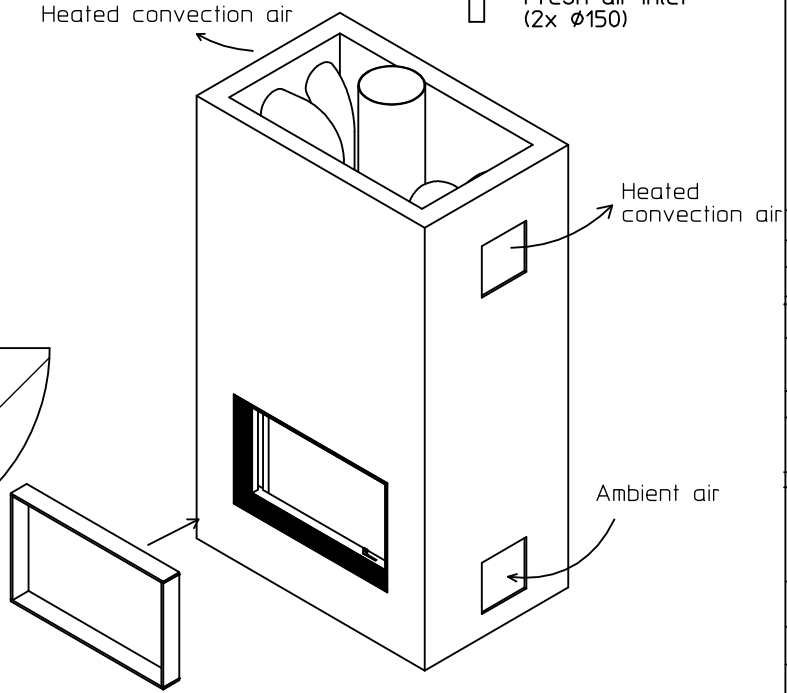
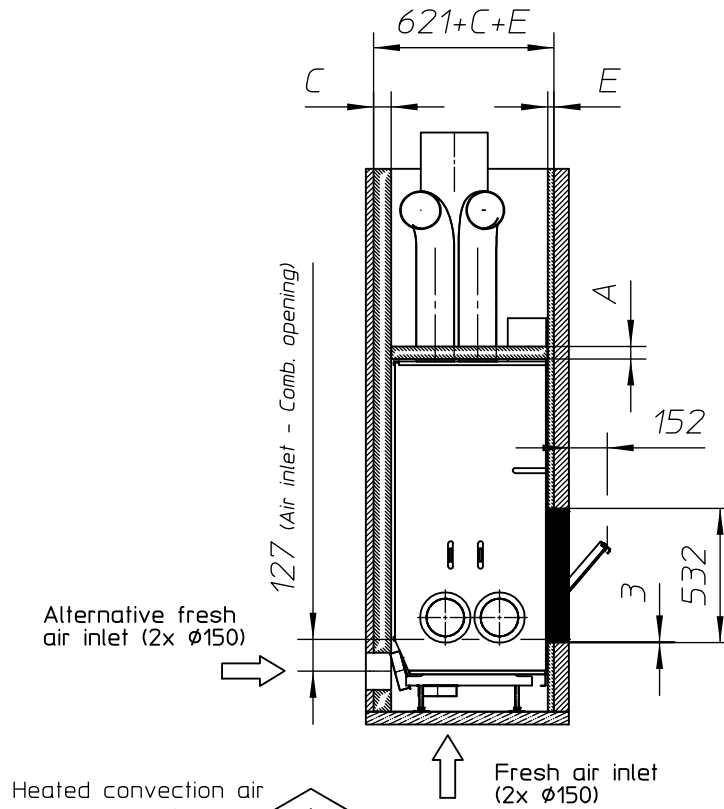


Alternative fresh air inlet
(2x Ø150)

Do NOT place any
combustable materials
in this zone



- Combustable finishing material
- Non-combustable finishing material
- Insulation
- Insulation thickness => see table



ULTIME D Patented

metalfire

Technical Document

Model: ULTIME D MF 800-50 WHE 1S

- Dimensions (mm)**
- combustion opening WxH: 836x506
 - external WxDxH: 1060x619x1561
 - fresh air: 2xØ150
 - diameter flue: Ø250

- Technical Data**
- capacity: 16.6kW
 - efficiency capacity: 80.2%
 - CO (volume with 13%O₂): 0.07%
 - dust (volume with 13%O₂): 32mg/m³
 - weight: 405kg
 - Air intake to convection: minimum 360cm²(2xØ150)
 - Air exhaust to convection: minimum 720cm²(4xØ150)

- Specifications**
- inside finishing: heat-resistant black paint
 - vermiculite insulation plates
 - convection jacket in galvanized steel
 - cast iron stoke grate
 - back and sides: ribbed cast iron
 - interior finishing: ORIGINAL (ribbed cast iron)

- Options**
- Promat insulation kit
 - Finishing frame

Table: prescribed insulation thickness (mm)

Combustable finishing material					
	A	B	C	D	E
Test report (TC = 0,14 W/mK)	75	NC	120	113	40
Metalfire recommended Promasil 1100L (TC = 0,081 W/mK)	50	NC	70	65	25
Non-combustable finishing material					
non-combustable materials (structural building items EXCLUDED e.g. load bearing walls)	0	0	0	0	0

TC = thermal conductivity NC = non-combustable

First aid and technical support:

- support@metalfire.eu
- +32 (0)9 261 50 57

scale 1:20	Rev. A.1
www.metalfire.eu EN 13229	CE
General dimensional tolerances up to 6mm Metalfire preserves the right to modify specifications without previous notice	Sheet 3/3