

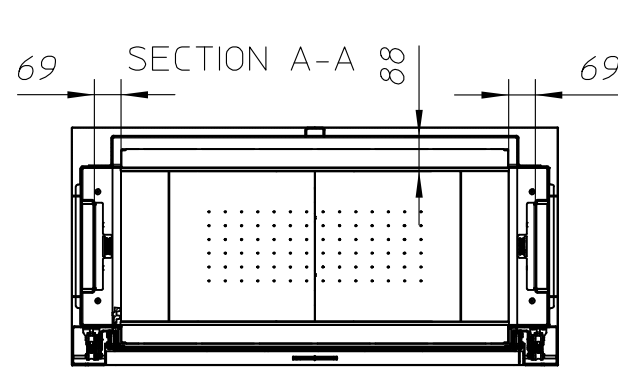
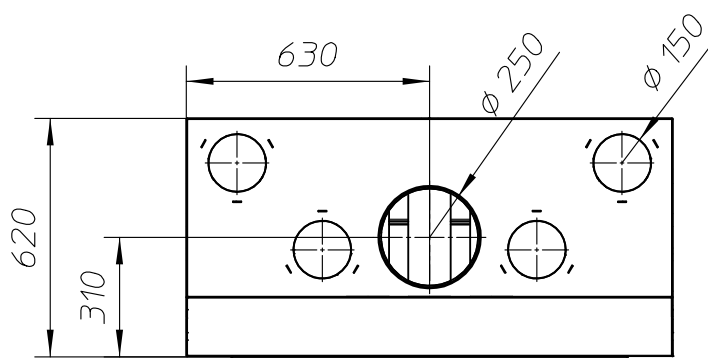
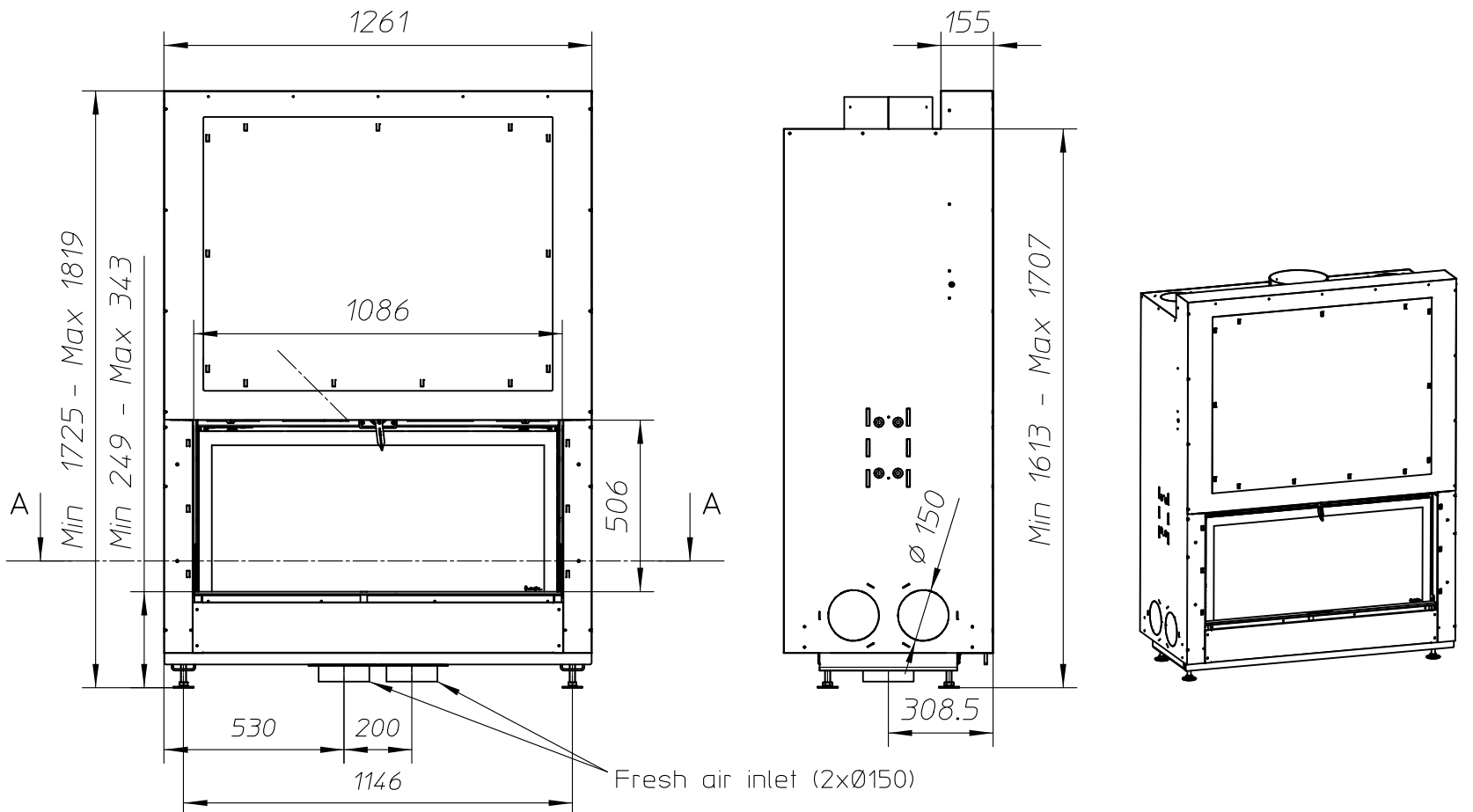
### ULTIME D MF 1050-50 WHE 1S BRICK

#### Dimensions (mm)

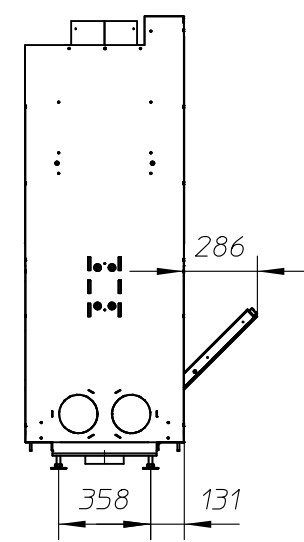
- combustion opening WxH: 1086 x 506
- external WxDxH: 1261 x 620 x 1819
- fresh air intake: 2 x Ø150
- flue gas outlet: Ø250

#### Technical Data

- ecolabel: A
- capacity: 25.2kW
- efficiency: 79%
- CO (volume with 13%O<sub>2</sub>): 0.05%
- dust (volume with 13%O<sub>2</sub>): 30mg/Nm<sup>3</sup>
- weight: 400kg
- convection air inlet: min.700cm<sup>2</sup> (4 x Ø150)
- convection air outlet: min.700cm<sup>2</sup> (4 x Ø150)



Space for Bricks:  
Metalfire+ takes no responsibility  
for materials used and  
for quality of Brickwork

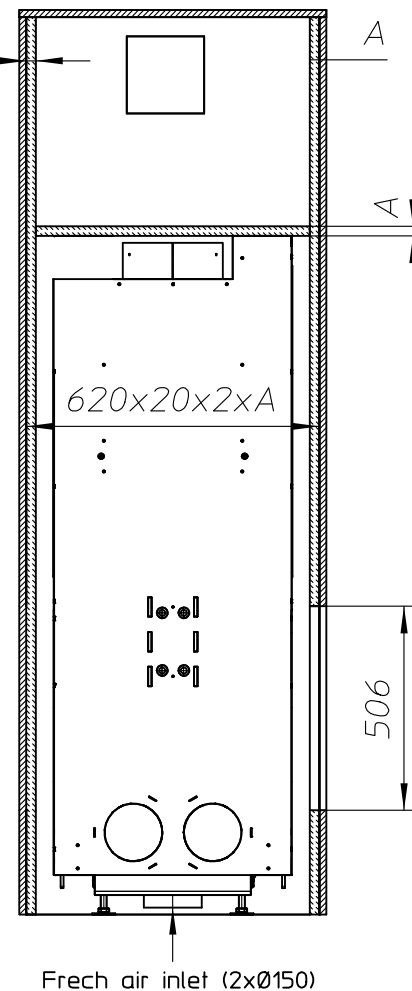
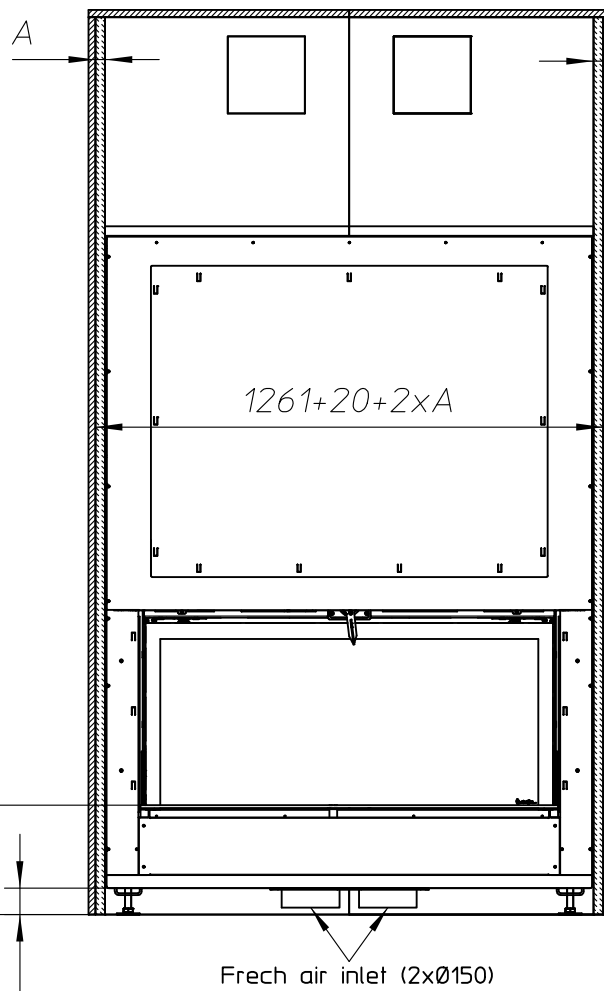
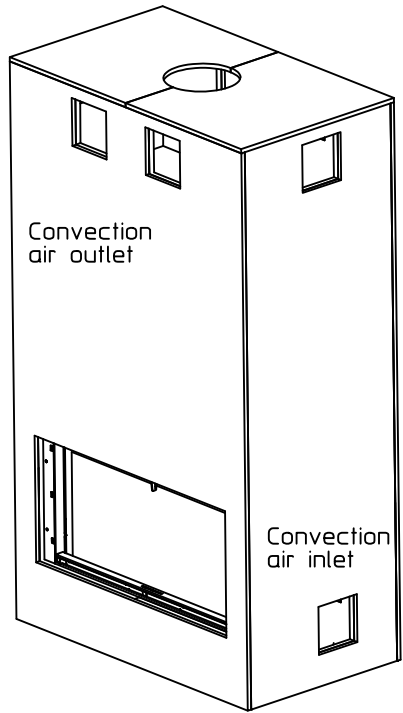


First aid and technical support:

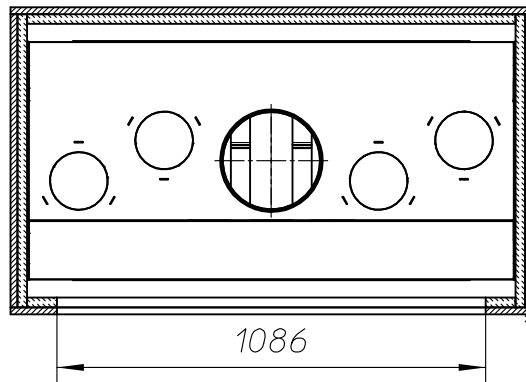
- support@metalfire.eu
- +32 9 261 51 90

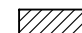
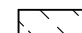
|  |           |
|--|-----------|
| scale 1:20   | Rev. B    |
| www.metalfire.eu   | EN 13229  |
| General dimensional tolerances up to 6mm<br>Metalfire preserves the right to modify specifications without previous notice | Sheet 1/3 |

Without finishing frame



Min 249 - Max 343  
Min 34 - Max 128



 Combustable finishing material  
 Insulation (thickness see table)

ULTIME D Patented

*Metalfire*

Technical Document

ULTIME D MF 1050-50 WHE 1S BRICK

Prescribed insulation thickness (mm)

Combustable finishing material

Metalfire recommended  
SILCA T 300  
(TC = 0,09 W/mK)

A = 25mm

Non-combustable finishing material

non-combustable  
materials  
structural building items  
EXCLUDED e.g. load bearing walls

A = 0mm

TC = thermal conductivity NC = non-combustable

First aid and technical support:

- support@metalfire.eu

- +32 9 261 51 90

scale 1:20

Rev.  
B

www.metalfire.eu

EN 13229

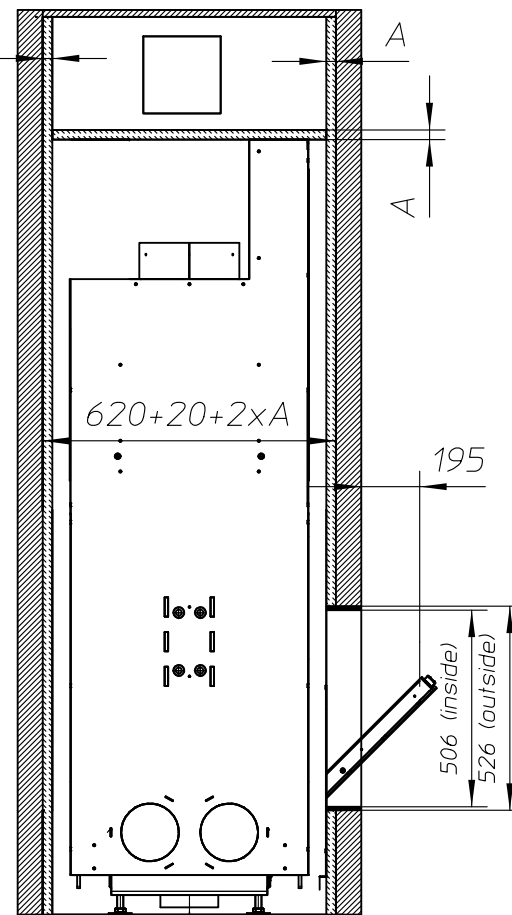
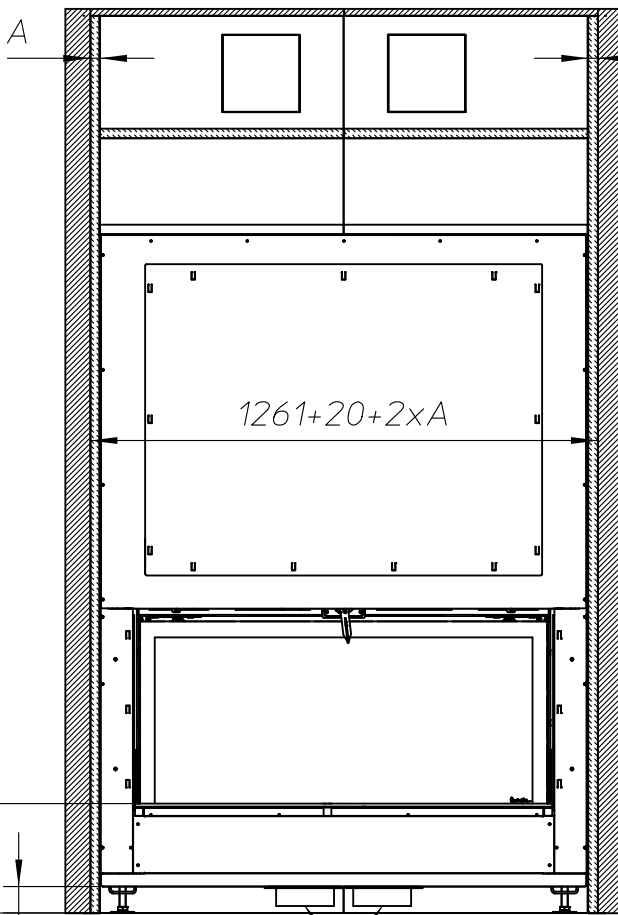
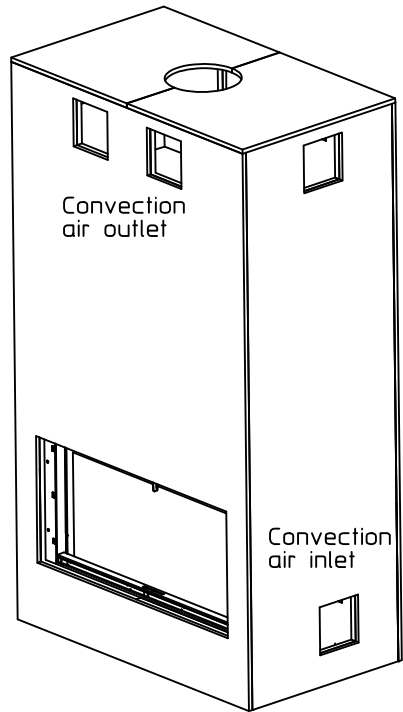
CE

General dimensional tolerances up to 6mm

Metalfire preserves the right to modify specifications without previous notice

Sheet  
2/3

With finishing frame 90/10

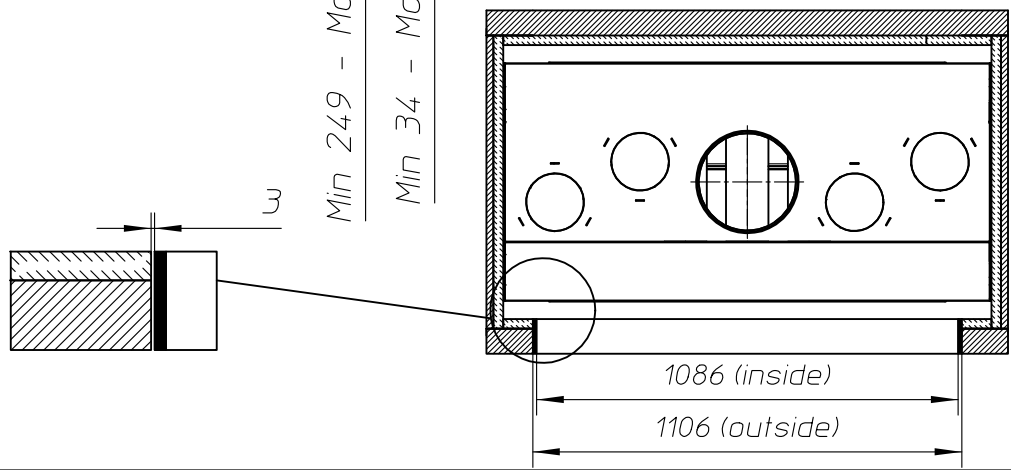


Min 249 - Max 343  
Min 34 - Max 128

Fresh air inlet (2xØ150)

Fresh air inlet (2xØ150)

195  
506 (inside)  
526 (outside)



1086 (inside)

1106 (outside)

# ULTIME D

Patented

*Metalfire*

## Technical Document

ULTIME D MF 1050-50 WHE 1S BRICK

Prescribed insulation thickness (mm)

Combustable finishing material

Metalfire recommended  
SILCA T 300  
(TC = 0,09 W/mK)

A = 25mm

Non-combustable finishing material

non-combustable  
materials  
structural building items  
EXCLUDED e.g. load bearing walls

A = 0mm

TC = thermal conductivity

NC = non-combustable

First aid and technical support:

- support@metalfire.eu

- +32 9 261 51 90

scale 1:20

www.metalfire.eu

EN 13229


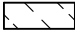
General dimensional tolerances up to 6mm

Metalfire preserves the right to modify specifications without previous notice

Rev.  
B

CE

Sheet  
3/3

 Combustable finishing material  
 Insulation (thickness see table)