

ULTIME D Patented

metalfire

Technical Document

Model: ULTIME D MF 1050-50 WHE 1S

- Dimensions (mm)**
- combustion opening WxH: 1086x506
 - external WxDxH: 1310x619x1561
 - fresh air: 2x ϕ 150
 - diameter flue: ϕ 250

- Technical Data**
- capacity: 19.4kW
 - efficiency capacity: 80.2%
 - CO (volume with 13%O₂): 0.06%
 - dust (volume with 13%O₂): 30mg/m³
 - weight: 470kg
 - Air intake to convection: minimum 720cm² (4x ϕ 150)
 - Air exhaust to convection: minimum 720cm² (4x ϕ 150)

- Specifications**
- inside finishing: heat-resistant black paint
 - vermiculite insulation plates
 - convection jacket in galvanized steel
 - cast iron stoke grate
 - back and sides: ribbed cast iron
 - interior finishing: ORIGINAL (ribbed cast iron)

- Options**
- Promat insulation kit
 - Finishing frame

Table: prescribed insulation thickness (mm)

Combustible finishing material					
	A	B	C	D	E
Test report (TC = 0,14 W/mK)	75	NC	94	105	40
Metalfire recommended Promasil 1100L (TC = 0,081 W/mK)	50	NC	55	60	25
Non-combustible finishing material					
non-combustible materials (structural building items EXCLUDED e.g. load bearing walls)	0	0	0	0	0
TC = thermal conductivity NC = non-combustible					

First aid and technical support:

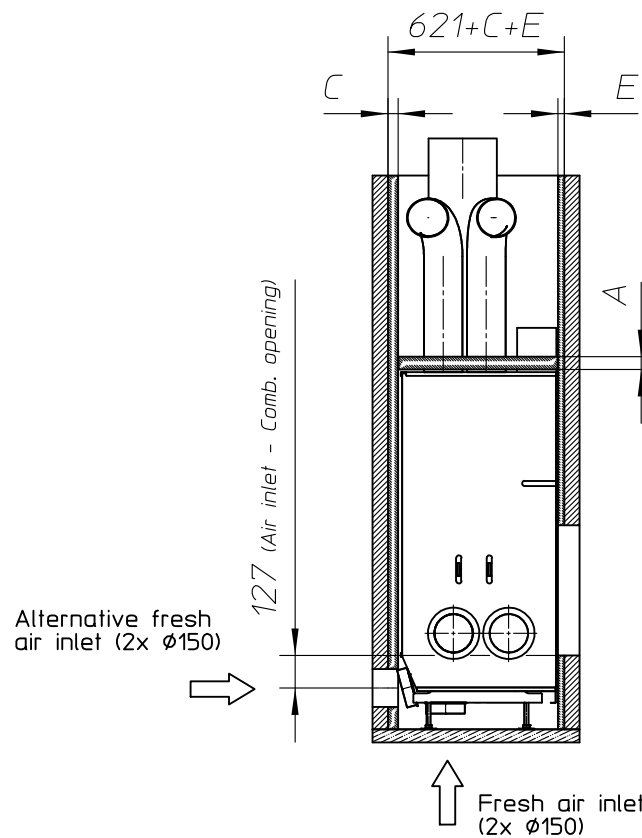
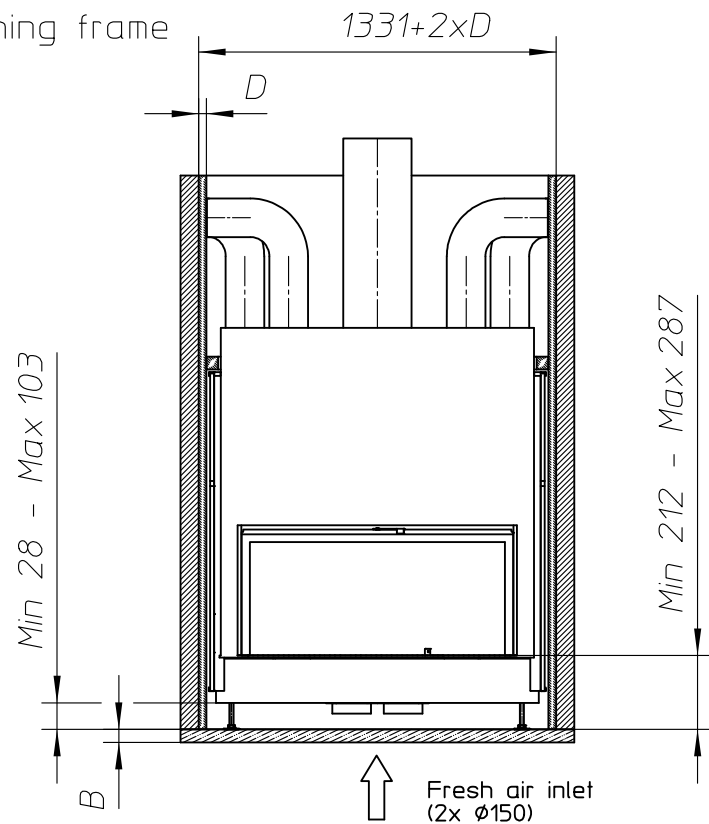
- support@metalfire.eu
- +32 (0)9 261 50 57

scale 1:20 Rev. -

www.metalfire.eu EN 13229

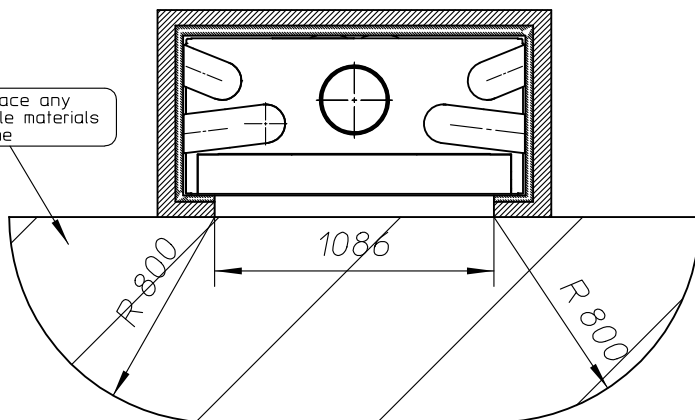
General dimensional tolerances up to 6mm Sheet 1/5
 Metalfire preserves the right to modify specifications without previous notice

Without finishing frame

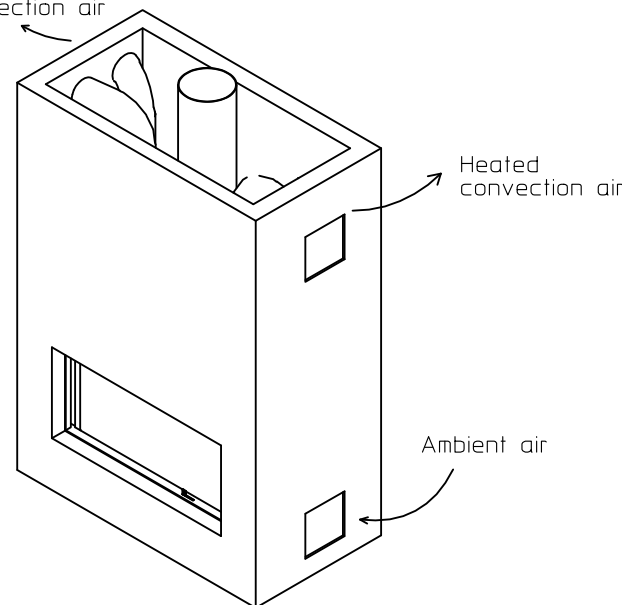


Alternative fresh air inlet (2x ø150)

Do NOT place any combustible materials in this zone



Heated convection air



Scale 1:35

ULTIME D Patented

metalfire

Technical Document

Model: ULTIME D MF 1050-50 WHE 1S

Dimensions (mm)

- combustion opening WxH: 1086x506
- external WxDxH: 1310x619x1561
- fresh air: 2xø150
- diameter flue: ø250

Technical Data

- capacity: 19.4kW
- efficiency capacity: 80.2%
- CO (volume with 13%O₂): 0.06%
- dust (volume with 13%O₂): 30mg/m³
- weight: 470kg
- Air intake to convection: minimum 720cm² (4xø150)
- Air exhaust to convection: minimum 720cm² (4xø150)

Specifications

- inside finishing: heat-resistant black paint
- vermiculite insulation plates
- convection jacket in galvanized steel
- cast iron stoke grate
- back and sides: ribbed cast iron
- interior finishing: ORIGINAL (ribbed cast iron)

Options

- Promat insulation kit
- Finishing frame

Table: prescribed insulation thickness (mm)

	Combustable finishing material				
	A	B	C	D	E
Test report (TC = 0,14 W/mK)	75	NC	94	105	40
Metalfire recommended Promasil 1100L (TC = 0,081 W/mK)	50	NC	55	60	25
Non-combustable finishing material					
non-combustable materials (structural building items EXCLUDED e.g. load bearing walls)	0	0	0	0	0
TC = thermal conductivity NC = non-combustable					

First aid and technical support:

- support@metalfire.eu
- +32 (0)9 261 50 57

scale 1:30

www.metalfire.eu

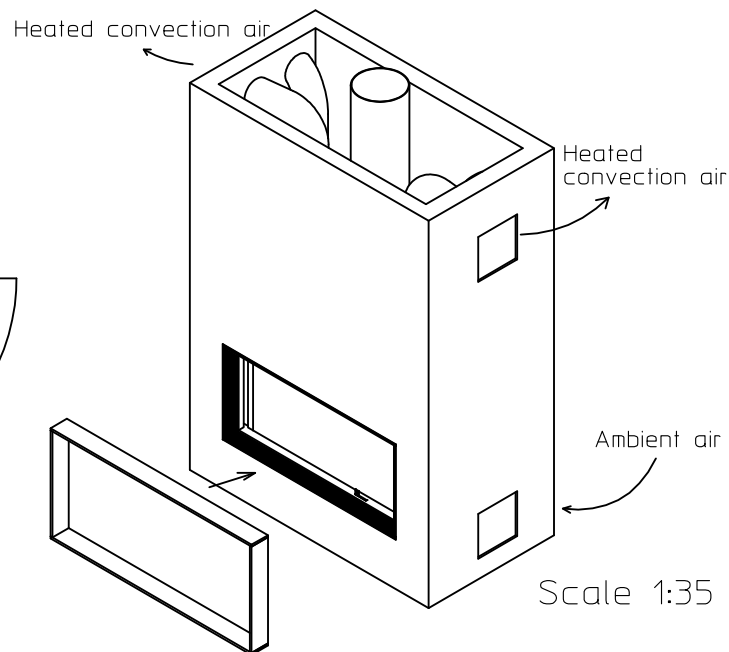
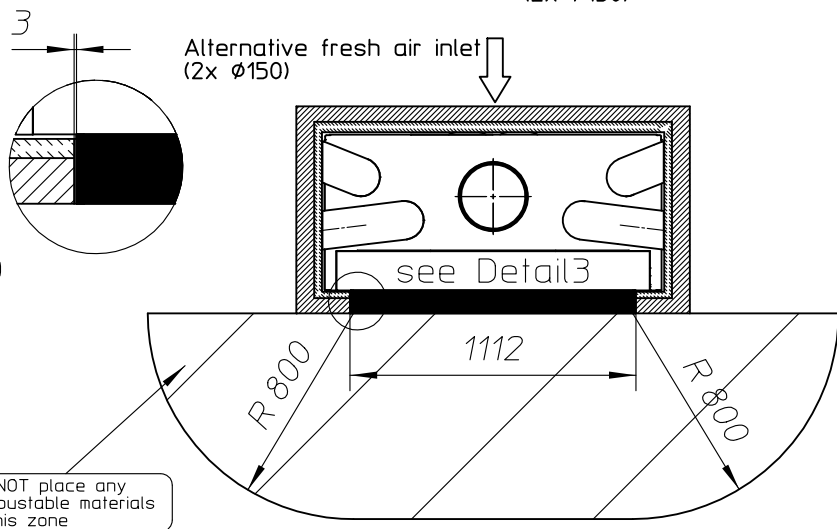
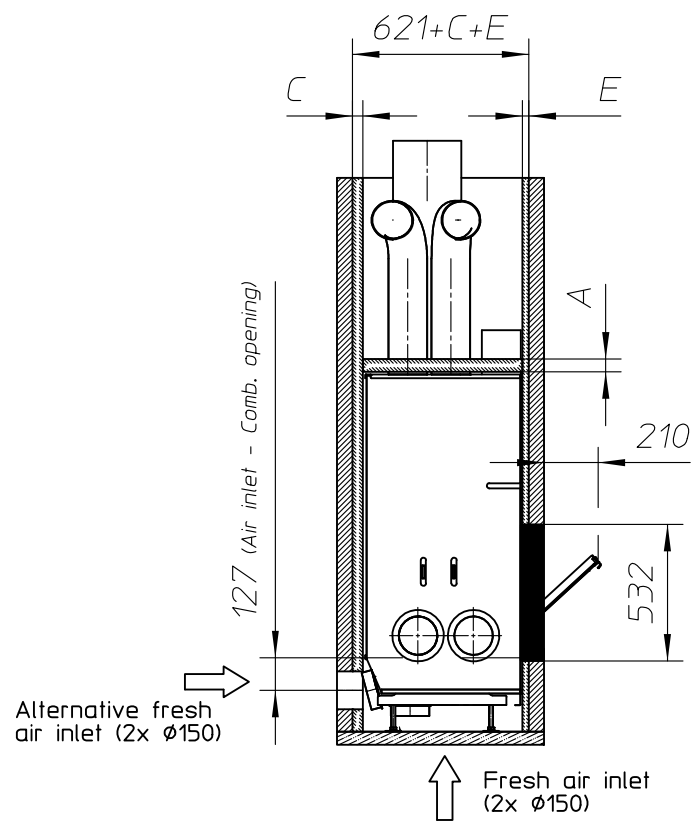
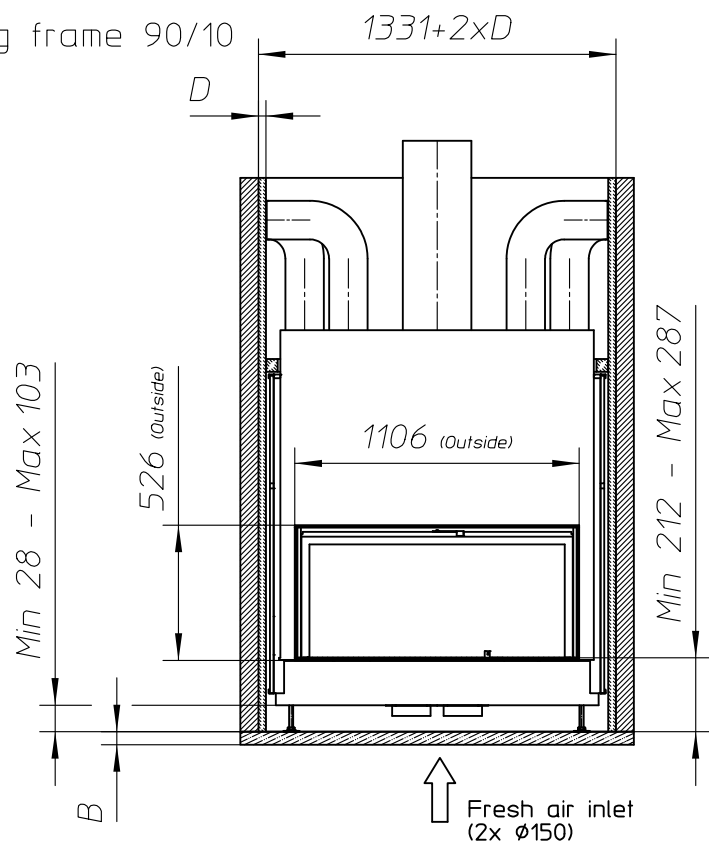
EN 13229

General dimensional tolerances up to 6mm
Metalfire preserves the right to modify specifications without previous notice

Rev. -
CE
Sheet 2/5

- Combustible finishing material
- Non-combustible finishing material
- Insulation
- Insulation thickness => see table

With finishing frame 90/10



ULTIME D Patented

metalfire

Technical Document

Model: ULTIME D MF 1050-50 WHE 1S

Dimensions (mm)

- combustion opening WxH: 1086x506
- external WxDxH: 1310x619x1561
- fresh air: 2xØ150
- diameter flue: Ø250

Technical Data

- capacity: 19.4kW
- efficiency capacity: 80.2%
- CO (volume with 13%O₂): 0.06%
- dust (volume with 13%O₂): 30mg/m³
- weight: 470kg
- Air intake to convection: minimum 720cm² (4xØ150)
- Air exhaust to convection: minimum 720cm² (4xØ150)

Specifications

- inside finishing: heat-resistant black paint
- vermiculite insulation plates
- convection jacket in galvanized steel
- cast iron stoke grate
- back and sides: ribbed cast iron
- interior finishing: ORIGINAL (ribbed cast iron)

Options

- Promat insulation kit
- Finishing frame

Table: prescribed insulation thickness (mm)

	Combustable finishing material				
	A	B	C	D	E
Test report (TC = 0,14 W/mK)	75	NC	94	105	40
Metalfire recommended Promasil 1100L (TC = 0,081 W/mK)	50	NC	55	60	25
Non-combustable finishing material					
non-combustable materials (structural building items EXCLUDED e.g. load bearing walls)	0	0	0	0	0
<small>TC = thermal conductivity NC = non-combustable</small>					

First aid and technical support:

- support@metalfire.eu
- +32 (0)9 261 50 57

scale 1:30 Rev. -

www.metalfire.eu EN 13229 CE

General dimensional tolerances up to 6mm Sheet 3/5
Metalfire preserves the right to modify specifications without previous notice

- Combustable finishing material
- Non-combustable finishing material
- Insulation
- Insulation thickness => see table

WITH FIRESCREEN - NO FINISHING FRAME

ULTIME D Patented

metalfire

Technical Document

Model: ULTIME D MF 1050-50 WHE 1S

Dimensions (mm)

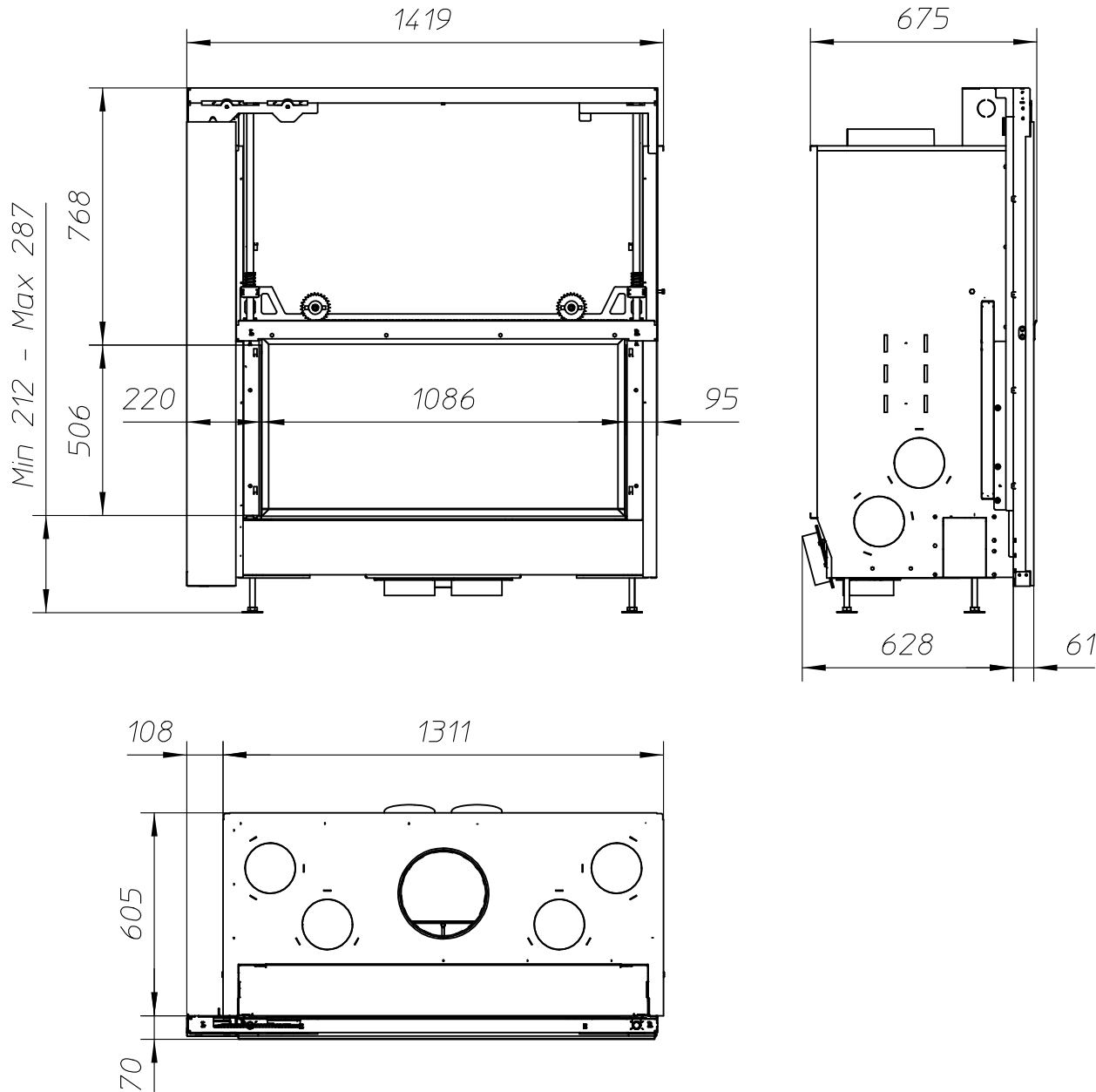
- combustion opening WxH: 1086x506
- external WxDxH: 1419x675x1561
- fresh air: 2x ϕ 150
- diameter flue: ϕ 250

Technical Data

- capacity: 19kW
- efficiency capacity: 80,2%
- CO (volume with 13%O₂): 0,06%
- dust (volume with 13%O₂): 30mg/N³
- weight: 470kg
- Air intake to convection: minimum 720cm² (4x ϕ 150)
- Air exhaust to convection: minimum 720cm² (4x ϕ 150)

Specifications

- inside finishing: heat-resistant black paint
- vermiculite insulation plates
- convection jacket in galvanized steel
- cast iron stoke grate
- back and sides: ribbed cast iron
- interior finishing: ORIGINAL (ribbed cast iron)



First aid and technical support:

- support@metalfire.eu
- +32 (0)9 261 50 57

scale 1:20	Rev. -
www.metalfire.eu EN 13229	CE
General dimensional tolerances up to 6mm Metalfire preserves the right to modify specifications without previous notice	Sheet 4/5

WITH FIRESCREEN AND FINISHING FRAME 90/10

ULTIME D Patented

metalfire

Technical Document

Model: ULTIME D MF 1050-50 WHE 1S

Dimensions (mm)

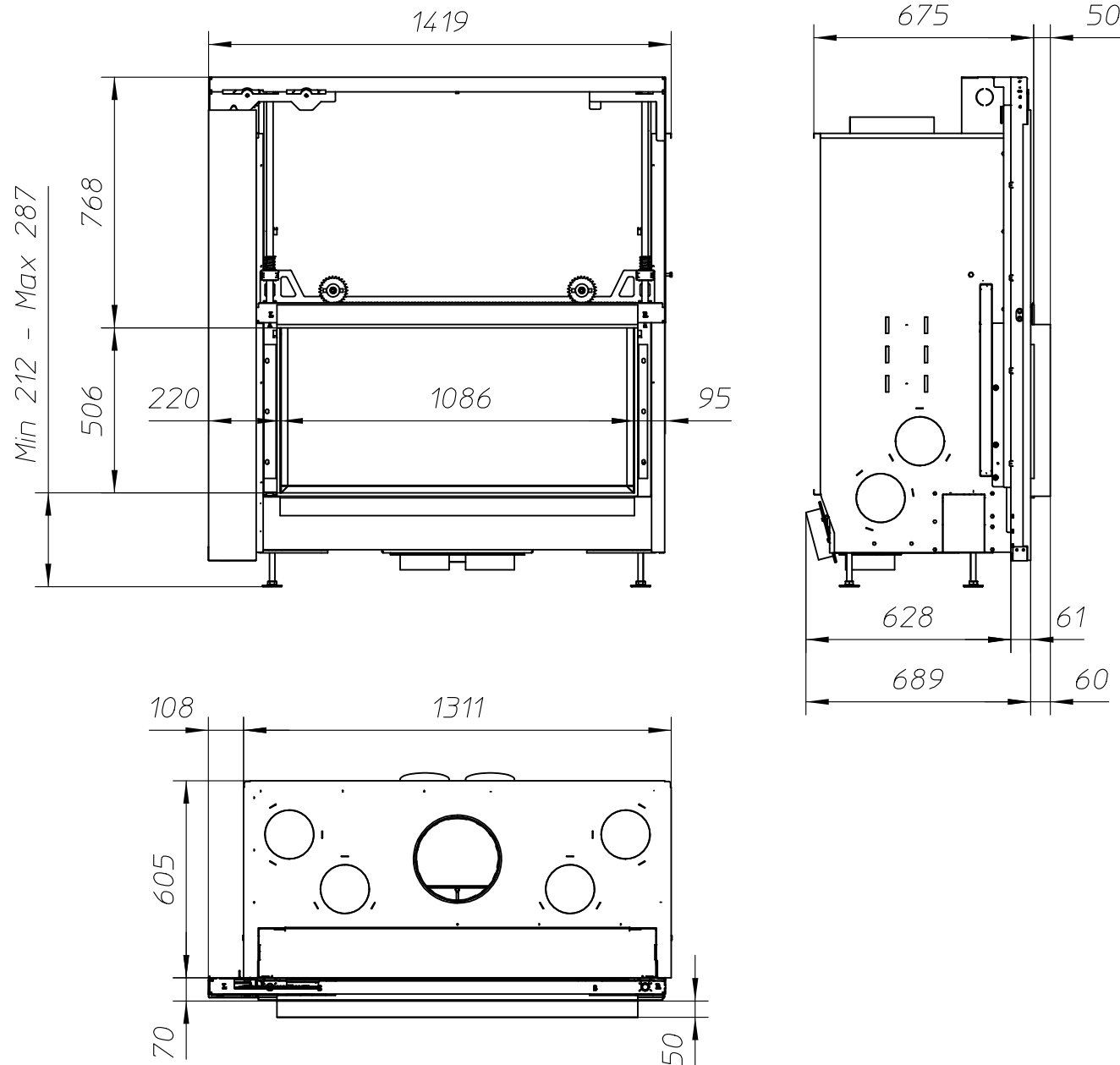
- combustion opening WxH: 1086x506
- external WxDxH: 1419x749x1561
- fresh air: 2x ϕ 150
- diameter flue: ϕ 250

Technical Data

- capacity: 19.4kW
- efficiency capacity: 80.2%
- CO (volume with 13%O₂): 0.06%
- dust (volume with 13%O₂): 30mg/N³
- weight: 470kg
- Air intake to convection: minimum 720cm² (4x ϕ 150)
- Air exhaust to convection: minimum 720cm² (4x ϕ 150)

Specifications

- inside finishing: heat-resistant black paint
- vermiculite insulation plates
- convection jacket in galvanized steel
- cast iron stoke grate
- back and sides: ribbed cast iron
- interior finishing: ORIGINAL (ribbed cast iron)



First aid and technical support:

- support@metalfire.eu
- +32 (0)9 261 50 57

scale 1:20	Rev. -
www.metalfire.eu EN 13229	CE
General dimensional tolerances up to 6mm Metalfire preserves the right to modify specifications without previous notice	Sheet 5/5