

Model: ULTIME D MF 1050-50 WHE 2SL

#### Dimensions (mm)

- combustion opening WxDxH: 1056x461x504
- external WxDxH: 1118x608x1443
- fresh air: 2x $\phi$ 150
- diameter flue:  $\phi$ 250

#### Technical Data

- EC LABEL: A+
- capacity: 17.0kW
- efficiency capacity: 82%
- CO (volume with 13%O<sub>2</sub>): 0.087%
- dust (volume with 13%O<sub>2</sub>): 27mg/m<sup>3</sup>
- weight: 320kg

- convection air inlet: minimum 720cm<sup>2</sup> (4x $\phi$ 150)
- convection air outlet: minimum 720cm<sup>2</sup> (4x $\phi$ 150)

#### Specifications

- inside finishing: heat-resistant black paint
- black vermiculite insulation plates
- convection jacket in galvanized steel
- back and side: ribbed cast iron
- interior finishing: ORIGINAL (ribbed cast iron)

#### Options

- finishing frame

#### Table: prescribed insulation thickness (mm)

Combustible finishing material					
	A	B	C	D	E
Test report (TC = 0,14 W/mK)	25	NC	25	25	25
Non-combustible finishing material					
non-combustible materials (structural building items EXCLUDED e.g. load bearing walls)	0	0	0	0	0
TC = thermal conductivity      NC = non-combustible					

#### First aid and technical support:

- [support@metalfire.eu](mailto:support@metalfire.eu)
- +32 (0)9 261 50 57

scale 1:20

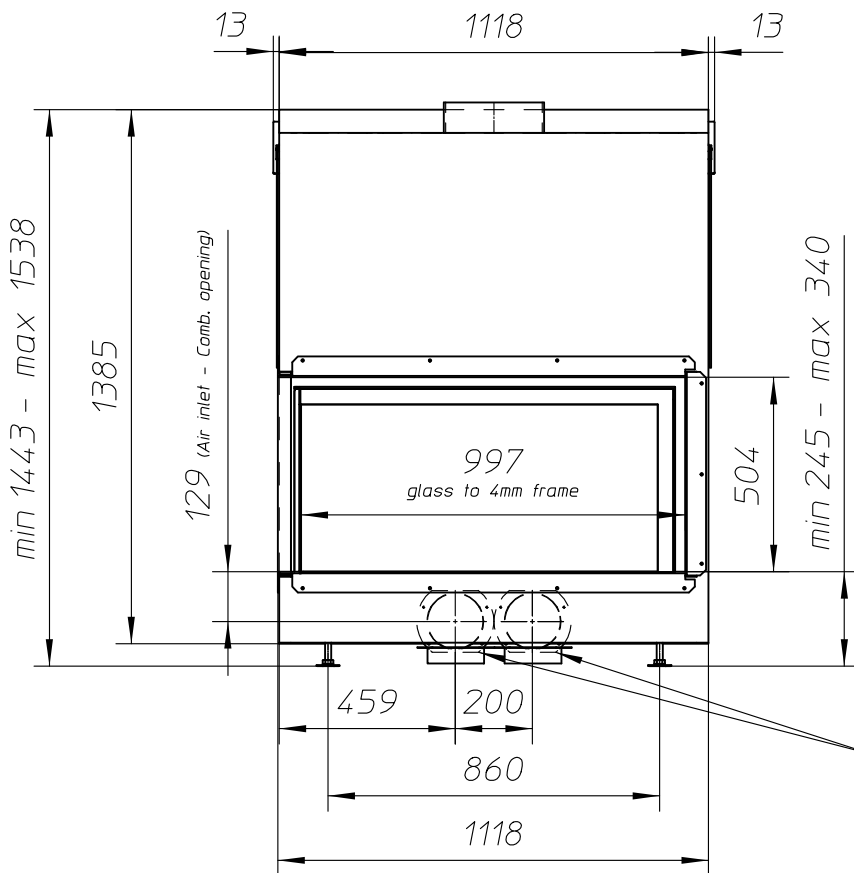
[www.metalfire.eu](http://www.metalfire.eu) EN 13229

General dimensional tolerances up to 6mm  
Metalfire preserves the right to modify specifications without previous notice

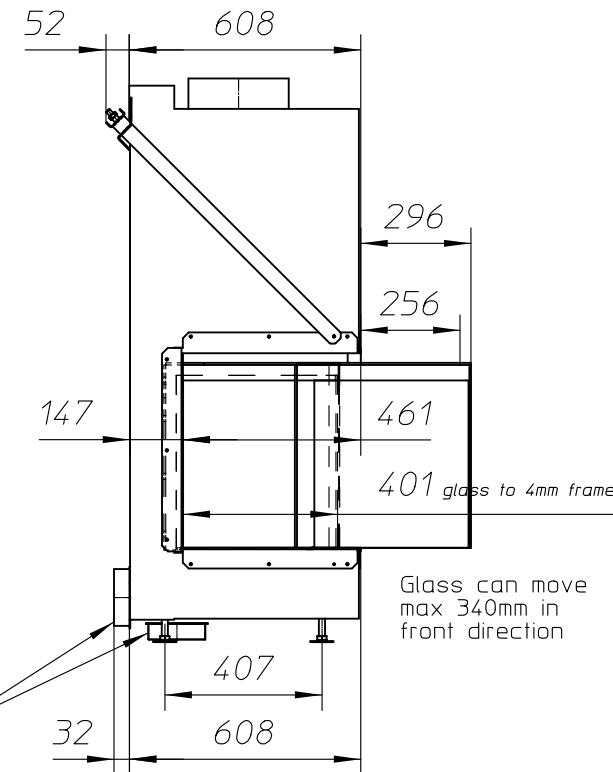
Rev.  
A

CE

Sheet  
1/3

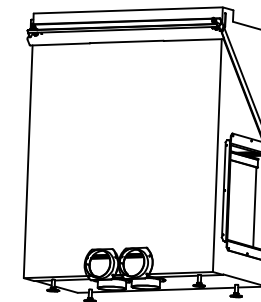
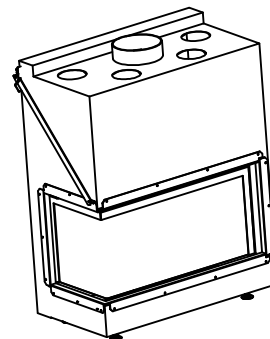
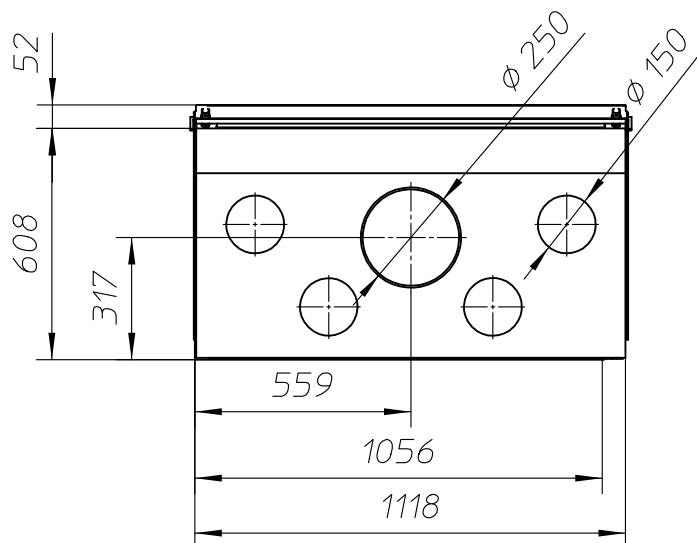


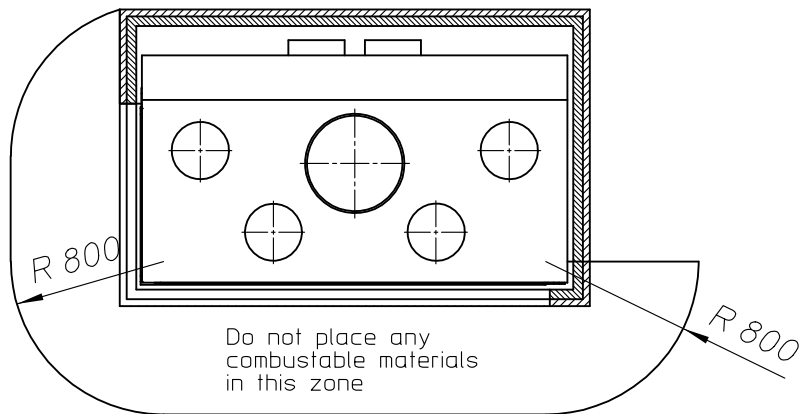
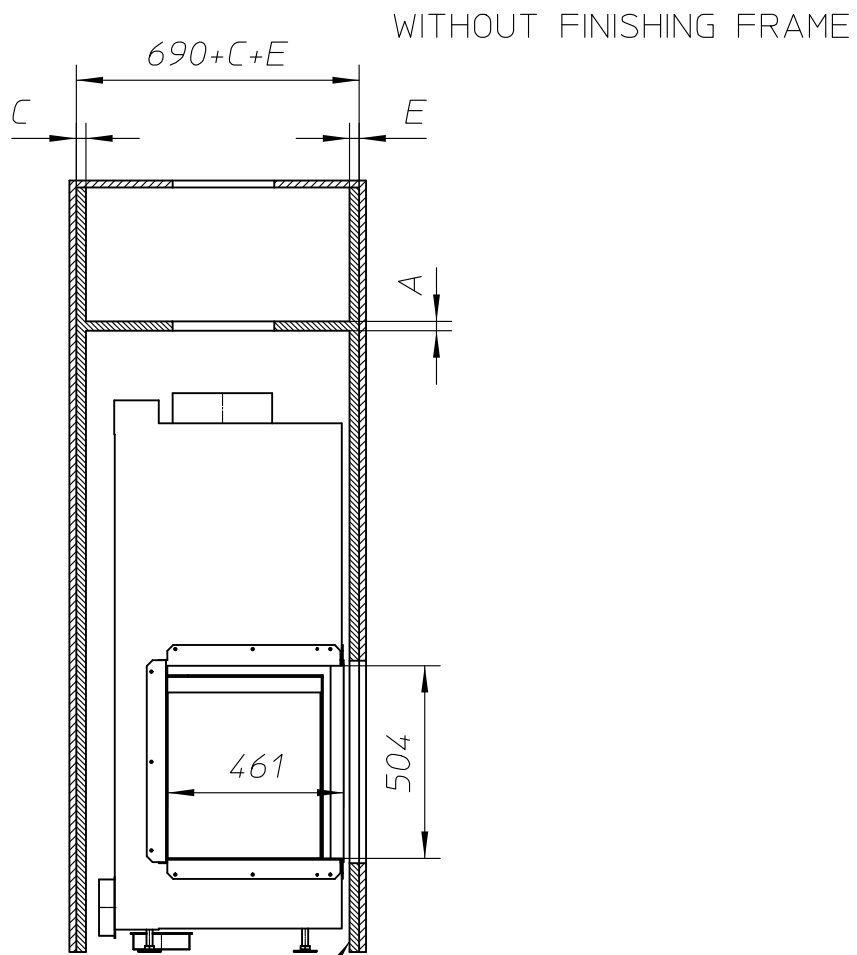
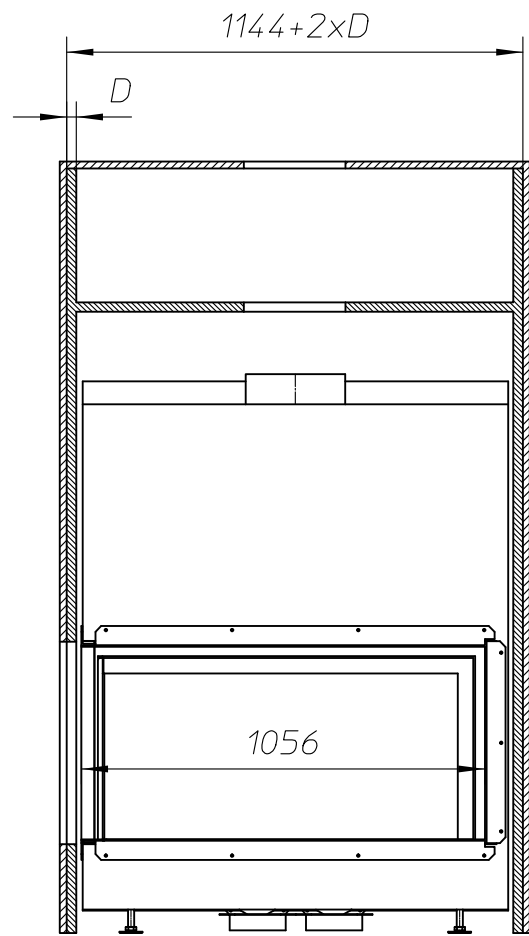
Air inlet  $\phi$ 150



Glass can move  
max 340mm in  
front direction


Standard configuration of these fireplaces is with the 4mm frame




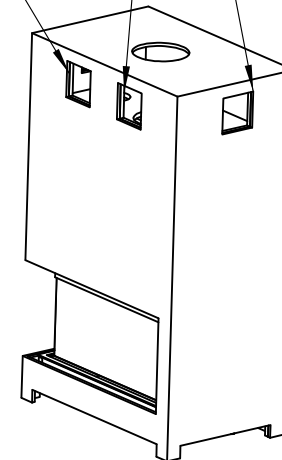


Min 13mm between fireplace and insulation

Heated convection air

 Combustible finishing material

 Insulation



ULTIME D Patented

metalfire

Technical Document

Model: ULTIME D MF 1050-50 WHE 2SL

Dimensions (mm)

- combustion opening WxDxH: 1056x461x504
- external WxDxH: 1118x608x1443
- fresh air: 2xø150
- diameter flue: ø250

Technical Data

- ECOLABEL: A+
- capacity: 17.0kW
- efficiency capacity: 82%
- CO (volume with 13%O<sub>2</sub>): 0.087%
- dust (volume with 13%O<sub>2</sub>): 27mg/m<sup>3</sup>
- weight: 320kg
- convection air inlet: minimum 720cm<sup>2</sup> (4xø150)
- convection air outlet: minimum 720cm<sup>2</sup> (4xø150)

Specifications

- inside finishing: heat-resistant black paint
- black vermiculite insulation plates
- convection jacket in galvanized steel
- back and side: ribbed cast iron
- interior finishing: ORIGINAL (ribbed cast iron)

Options

- finishing frame

Table: prescribed insulation thickness (mm)

Combustible finishing material					
	A	B	C	D	E
Test report (TC = 0,14 W/mK)	25	NC	25	25	25

Non-combustible finishing material					
non-combustible materials (structural building items EXCLUDED e.g. load bearing walls)	A	B	C	D	E
	0	0	0	0	0

TC = thermal conductivity NC = non-combustible

First aid and technical support:

- support@metalfire.eu
- +32 (0)9 261 50 57

scale 1:20

Rev. A

www.metalfire.eu EN 13229

CE

General dimensional tolerances up to 6mm  
Metalfire preserves the right to modify specifications without previous notice

Sheet 2/3

# ULTIME D Patented

## metalfire

### Technical Document

Model: ULTIME D MF 1050-50 WHE 2SL

#### Dimensions (mm)

- combustion opening WxDxH: 1056x461x504
- external WxDxH: 1118x608x1443
- fresh air: 2xØ150
- diameter flue: Ø250

#### Technical Data

- ECOLABEL: A+
- capacity: 17.0kW
- efficiency capacity: 82%
- CO (volume with 13%O<sub>2</sub>): 0.087%
- dust (volume with 13%O<sub>2</sub>): 27mg/m<sup>3</sup>
- weight: 320kg

- convection air inlet: minimum 720cm<sup>2</sup> (4xØ150)
- convection air outlet: minimum 720cm<sup>2</sup> (4xØ150)

#### Specifications

- inside finishing: heat-resistant black paint
- black vermiculite insulation plates
- convection jacket in galvanized steel
- back and side: ribbed cast iron
- interior finishing: ORIGINAL (ribbed cast iron)

#### Options

- finishing frame

#### Table: prescribed insulation thickness (mm)

Combustable finishing material					
	A	B	C	D	E
Test report (TC = 0,14 W/mK)	25	NC	25	25	25

Non-combustable finishing material					
non-combustable materials (structural building items EXCLUDED e.g. load bearing walls)	0	0	0	0	0
TC = thermal conductivity NC = non-combustable					

#### First aid and technical support:

- support@metalfire.eu
- +32 (0)9 261 50 57

scale 1:20

www.metalfire.eu EN 13229

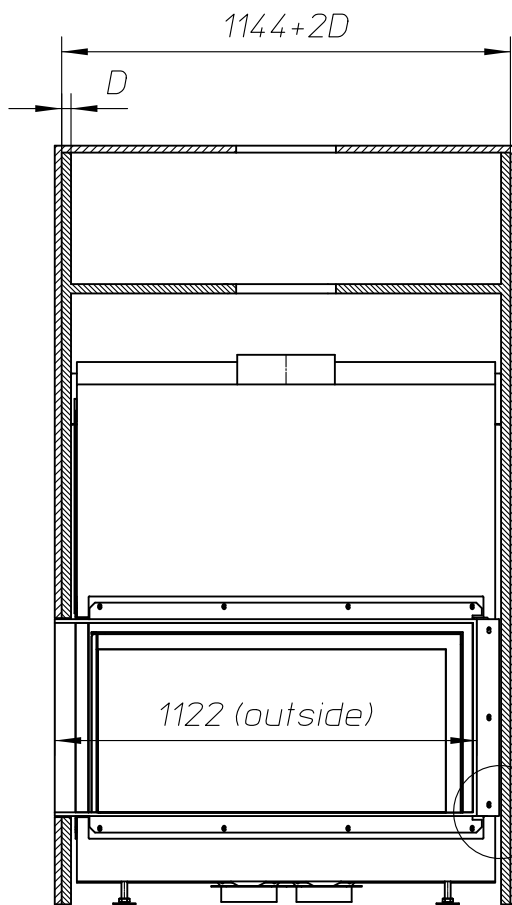
General dimensional tolerances up to 6mm  
Metalfire preserves the right to modify specifications without previous notice

Rev. A

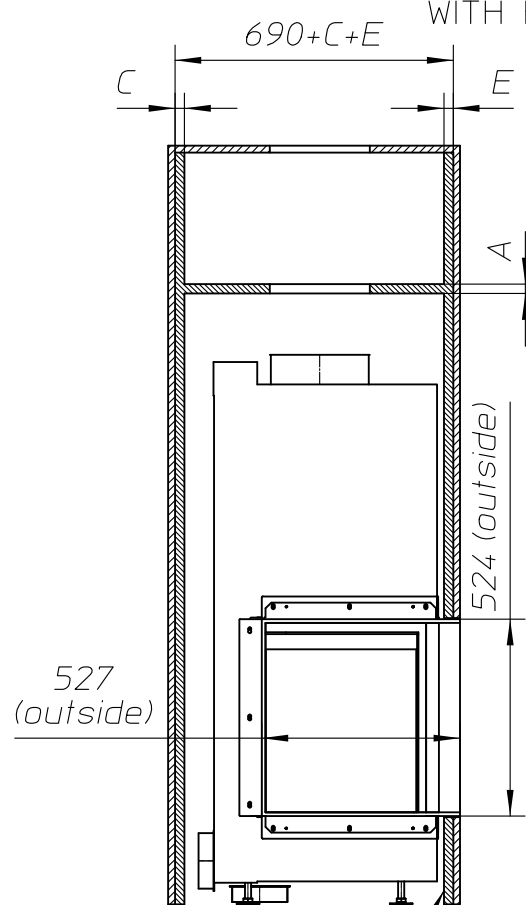
CE

Sheet 3/3

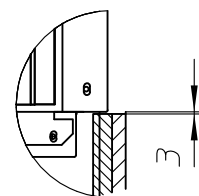
WITH FINISHING FRAME 90/10



see Detail2



Min 13mm between fireplace and insulation



Detail2  
Scale 1:10

- Combustable finishing material
- Insulation

Heated convection air

