

Model: ULTIME D MF 1050-50 WHE 2SR

Dimensions (mm)

- combustion opening WxDxH: 1056x461x504
- external WxDxH: 1118x608x1443
- fresh air: 2x ϕ 150
- diameter flue: ϕ 250

Technical Data

- EC LABEL: A+
- capacity: 17.0kW
- efficiency capacity: 82%
- CO (volume with 13%O₂): 0.087%
- dust (volume with 13%O₂): 27mg/m³
- weight: 320kg

- convection air inlet: minimum 720cm² (4x ϕ 150)
- convection air outlet: minimum 720cm² (4x ϕ 150)

Specifications

- inside finishing: heat-resistant black paint
- black vermiculite insulation plates
- convection jacket in galvanized steel
- back and sides: ribbed cast iron
- interior finishing: ORIGINAL (ribbed cast iron)

Options

- finishing frame

Table: prescribed insulation thickness (mm)

Combustible finishing material					
	A	B	C	D	E
Test report (TC = 0,14 W/mK)	25	NC	25	25	25
Non-combustible finishing material					
non-combustible materials (structural building items EXCLUDED e.g. load bearing walls)	0	0	0	0	0

TC = thermal conductivity NC = non-combustible

First aid and technical support:

- support@metalfire.eu
- +32 (0)9 261 50 57

scale 1:20

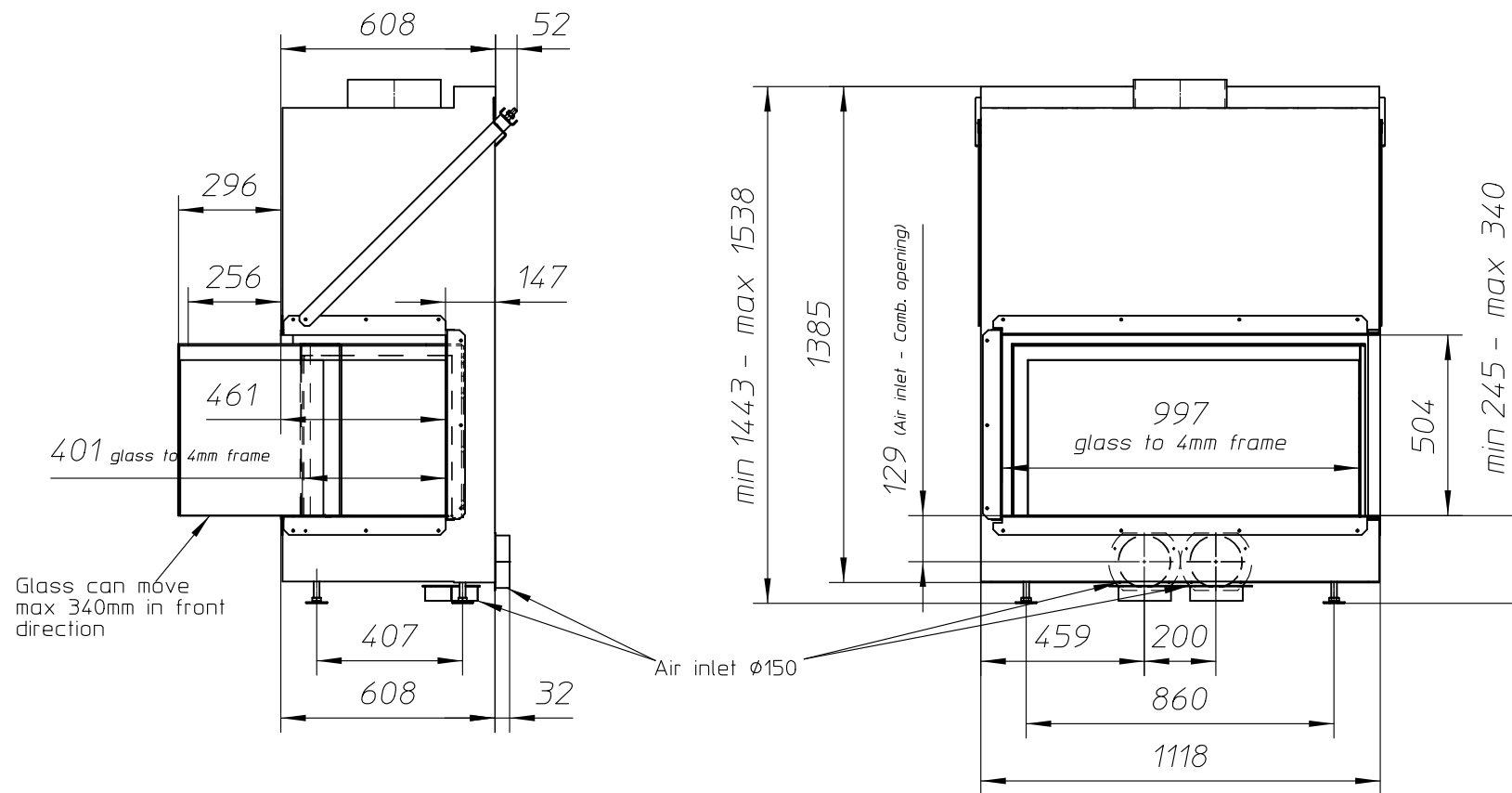
www.metalfire.eu EN 13229

General dimensional tolerances up to 6mm
Metalfire preserves the right to modify specifications without previous notice

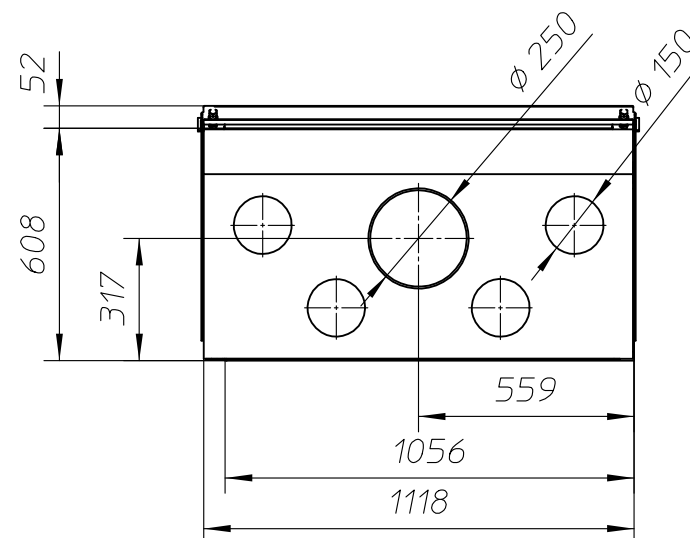
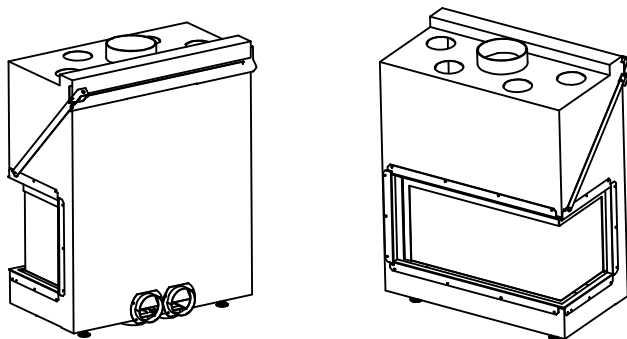
Rev. A

CE

Sheet 1/3



Standard configuration of these fireplaces is with the 4mm frame



WITHOUT FINISHING FRAME

ULTIME D Patented

metalfire

Technical Document

Model: ULTIME D MF 1050-50 WHE 2SR

Dimensions (mm)

- combustion opening WxDxH: 1056x461x504
- external WxDxH: 1118x608x1443
- fresh air: 2x ϕ 150
- diameter flue: ϕ 250

Technical Data

- ECOLABEL: A+
- capacity: 17.0kW
- efficiency capacity: 82%
- CO (volume with 13%O₂): 0.087%
- dust (volume with 13%O₂): 27mg/m³
- weight: 320kg
- convection air inlet: minimum 720cm² (4x ϕ 150)
- convection air outlet: minimum 720cm² (4x ϕ 150)

Specifications

- inside finishing: heat-resistant black paint
- black vermiculite insulation plates
- convection jacket in galvanized steel
- back and sides: ribbed cast iron
- interior finishing: ORIGINAL (ribbed cast iron)

Options

- finishing frame

Table: prescribed insulation thickness (mm)

Combustable finishing material					
	A	B	C	D	E
Test report (TC = 0,14 W/mK)	25	NC	25	25	25
Non-combustable finishing material					
non-combustable materials (structural building items EXCLUDED e.g. load bearing walls)	0	0	0	0	0
TC = thermal conductivity			NC = non-combustable		

First aid and technical support:

- support@metalfire.eu
- +32 (0)9 261 50 57

scale 1:20

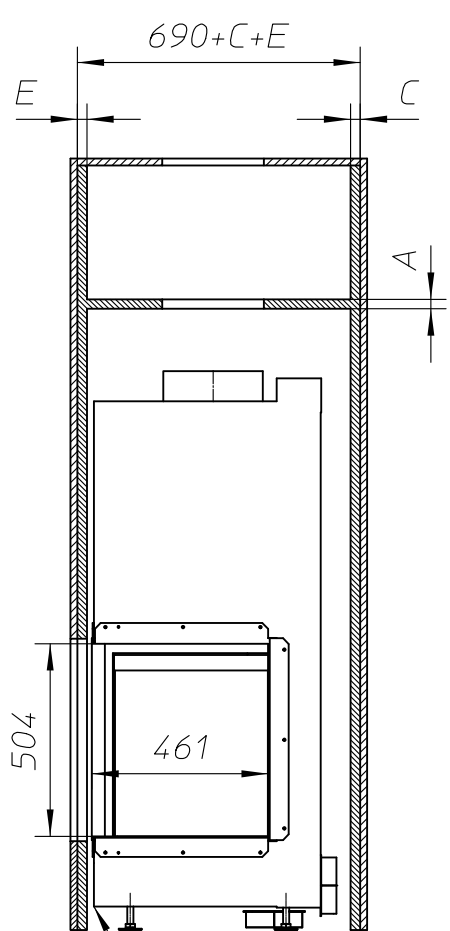
www.metalfire.eu EN 13229

General dimensional tolerances up to 6mm
Metalfire preserves the right to modify specifications without previous notice

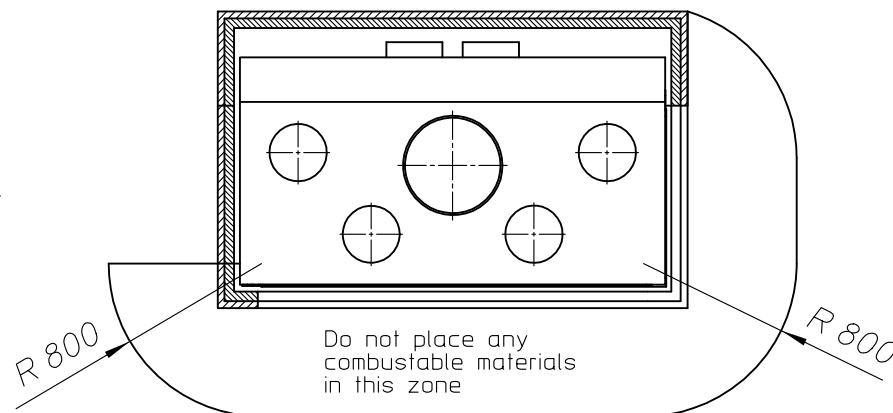
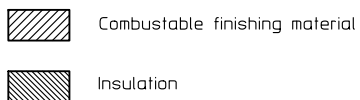
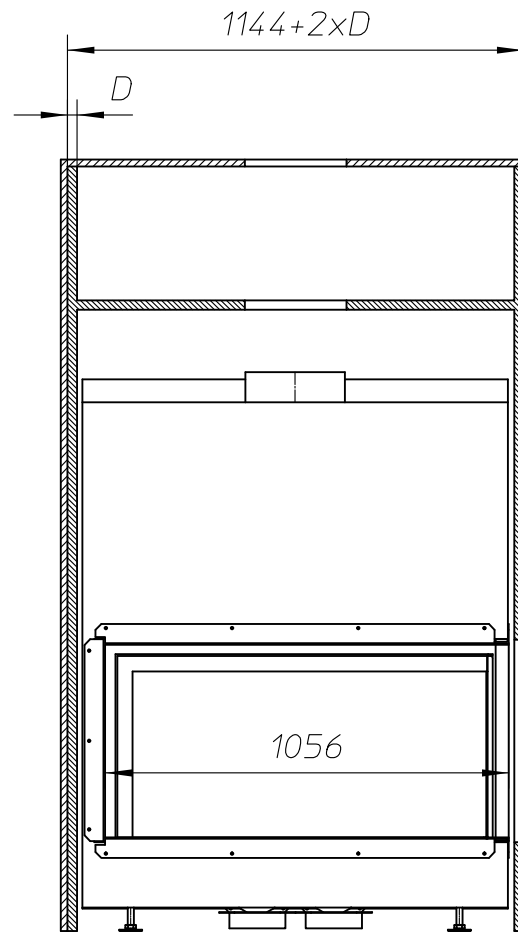
Rev. A

CE

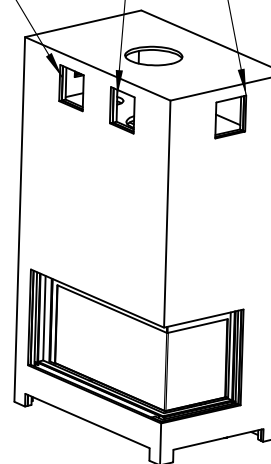
Sheet 2/3



Min 13mm between fireplace and insulation



Heated convection air



ULTIME D Patented

metalfire

Technical Document

Model: ULTIME D MF 1050-50 WHE 2SR

Dimensions (mm)

- combustion opening WxDxH: 1056x461x504
- external WxDxH: 1118x608x1443
- fresh air: 2x ϕ 150
- diameter flue: ϕ 250

Technical Data

- ECOLABEL: A+
- capacity: 17.0kW
- efficiency capacity: 82%
- CO (volume with 13%O₂): 0.087%
- dust (volume with 13%O₂): 27mg/m³
- weight: 320kg
- convection air inlet: minimum 720cm² (4x ϕ 150)
- convection air outlet: minimum 720cm² (4x ϕ 150)

Specifications

- inside finishing: heat-resistant black paint
- black vermiculite insulation plates
- convection jacket in galvanized steel
- back and sides: ribbed cast iron
- interior finishing: ORIGINAL (ribbed cast iron)

Options

- finishing frame

Table: prescribed insulation thickness (mm)

Combustable finishing material					
	A	B	C	D	E
Test report (TC = 0,14 W/mK)	25	NC	25	25	25

Non-combustable finishing material					
non-combustable materials (structural building items EXCLUDED e.g. load bearing walls)	0	0	0	0	0
TC = thermal conductivity NC = non-combustable					

First aid and technical support:

- support@metalfire.eu
- +32 (0)9 261 50 57

scale 1:20

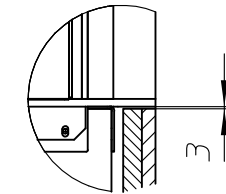
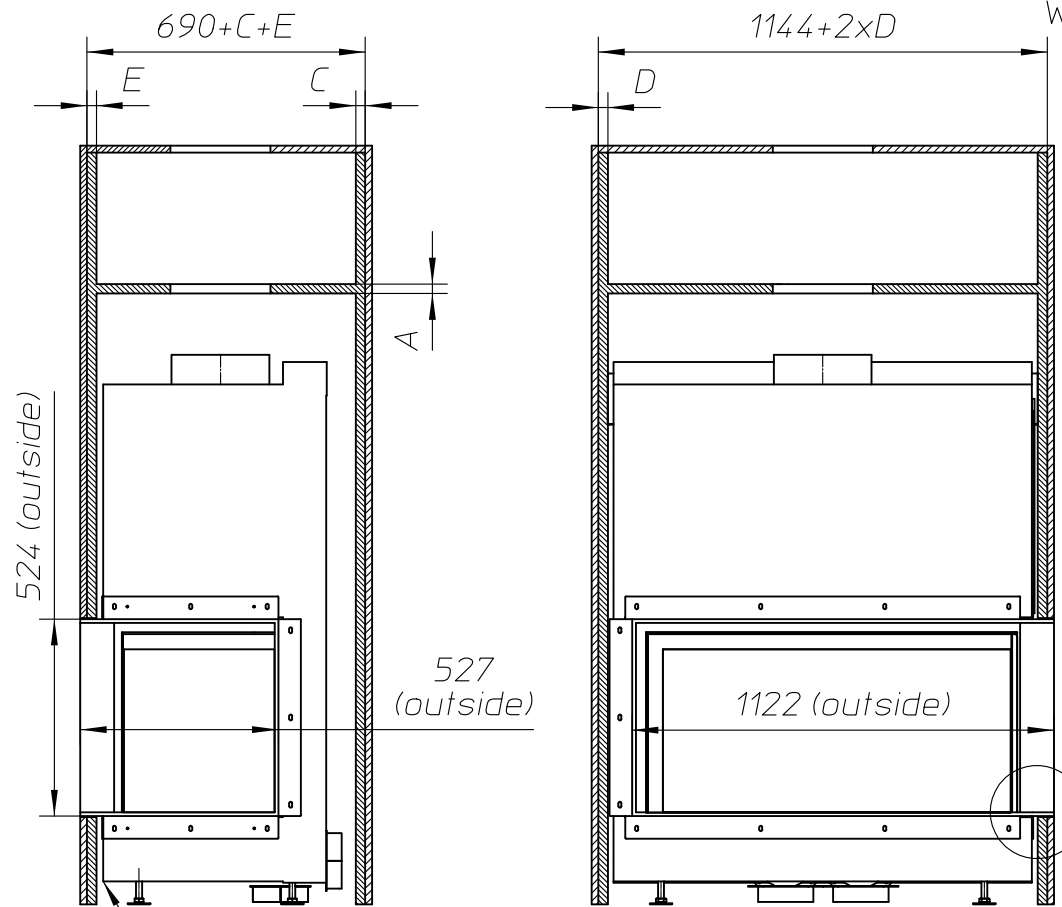
www.metalfire.eu

EN 13229

General dimensional tolerances up to 6mm
Metalfire preserves the right to modify specifications without previous notice

Rev. A
CE
Sheet 3/3

WITH FINISHING FRAME 90/10

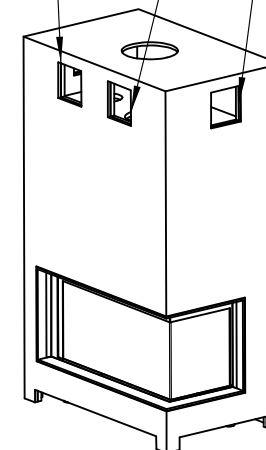




Detail2
Scale 1:10

see Detail2

Min 13mm between fireplace and insulation

Heated convection air



 Combustable finishing material
 Insulation

