

Model: ULTIME D MF 1050-50 WHE 3S

Dimensions (mm)

- combustion opening WxDxH: 1118x461x504
- external WxDxH: 1118x608x1443
- fresh air: 2x ϕ 150
- diameter flue: ϕ 250

Technical Data

- ECOLABEL: A+
- capacity: 17.0kW
- efficiency capacity: 82%
- CO (volume with 13%O₂): 0.087%
- dust (volume with 13%O₂): 27mg/m³
- weight: 320kg

- convection air inlet: minimum 720cm² (4x ϕ 150)
- convection air outlet: minimum 720cm² (4x ϕ 150)

Specifications

- inside finishing: heat-resistant black paint
- black vermiculite insulation plates
- convection jacket in galvanized steel
- back: ribbed cast iron
- interior finishing: ORIGINAL (ribbed cast iron)

Options

- finishing frame

Table: prescribed insulation thickness (mm)

Combustible finishing material					
	A	B	C	D	E
Test report (TC = 0,14 W/mK)	25	NC	25	25	25
Non-combustible finishing material					
non-combustible materials (structural building items EXCLUDED e.g. load bearing walls)	0	0	0	0	0
TC = thermal conductivity NC = non-combustible					

First aid and technical support:

- support@metalfire.eu
- +32 (0)9 261 50 57

scale 1:20

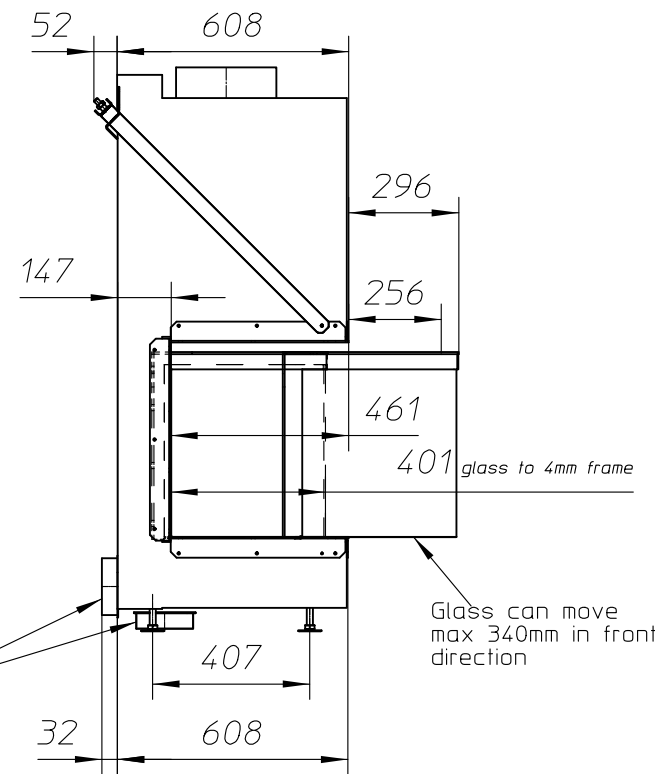
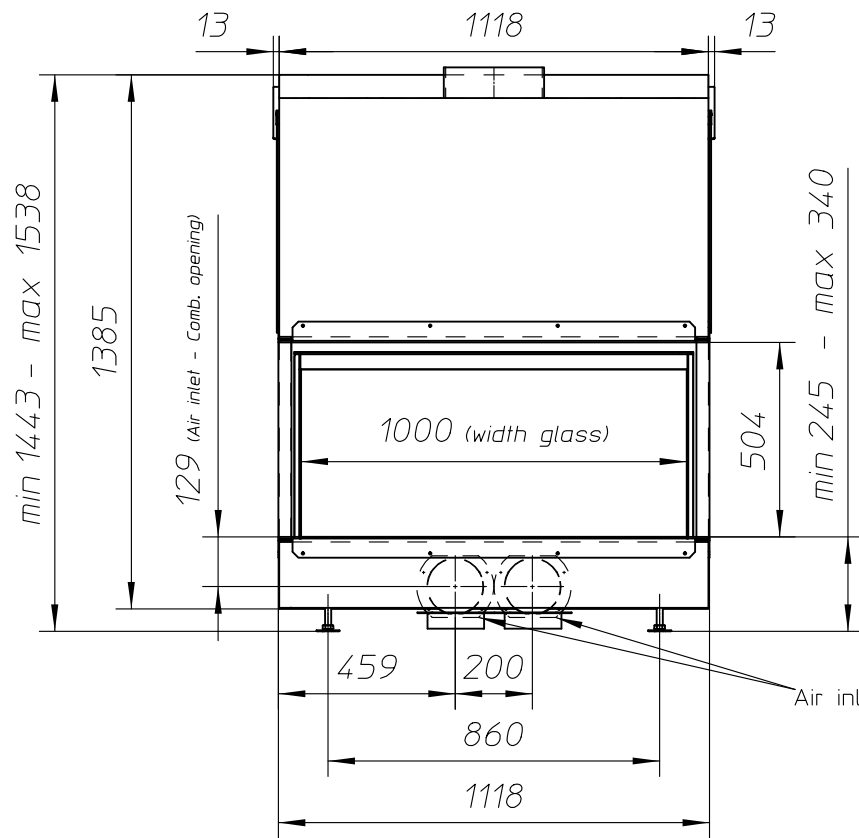
Rev. A

www.metalfire.eu EN 13229

CE

General dimensional tolerances up to 6mm
Metalfire preserves the right to modify specifications without previous notice

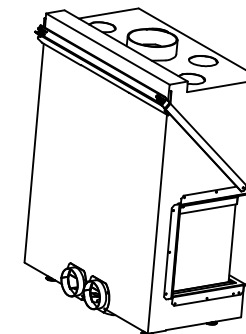
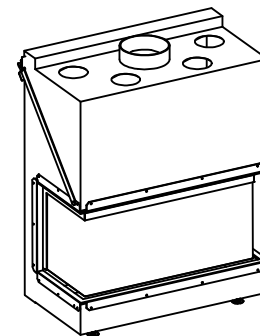
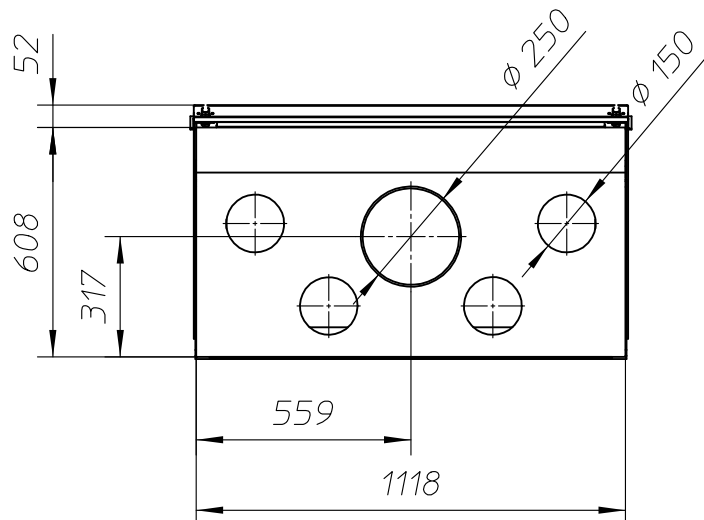
Sheet 1/3

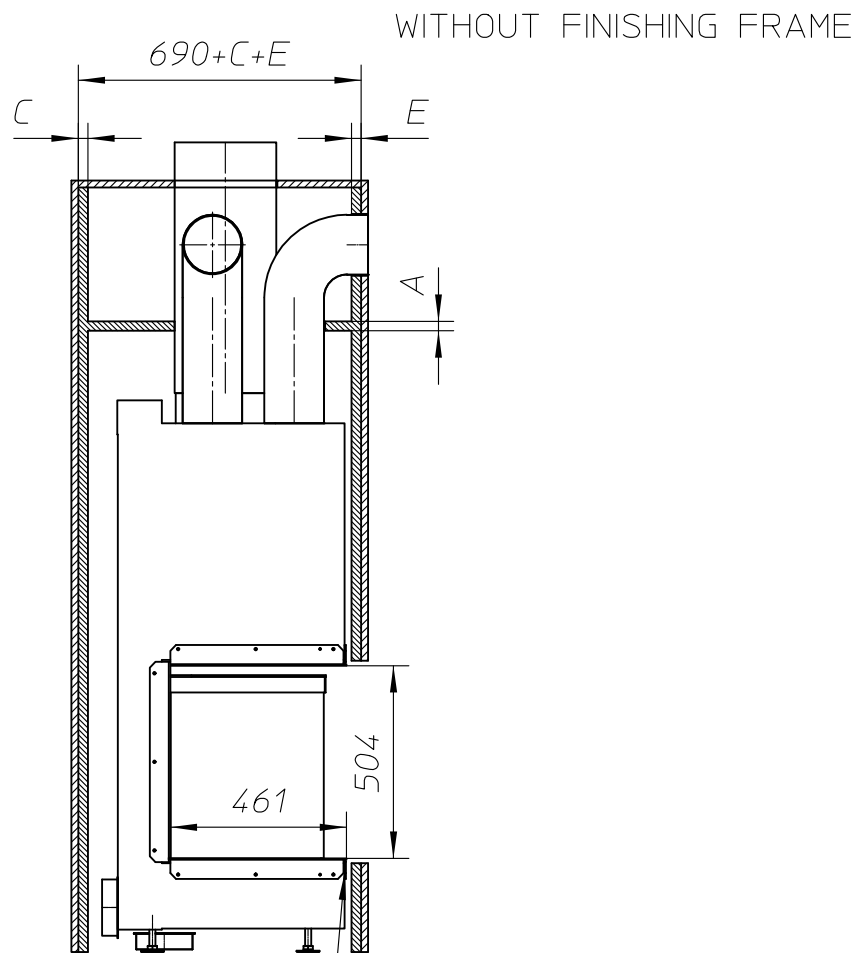
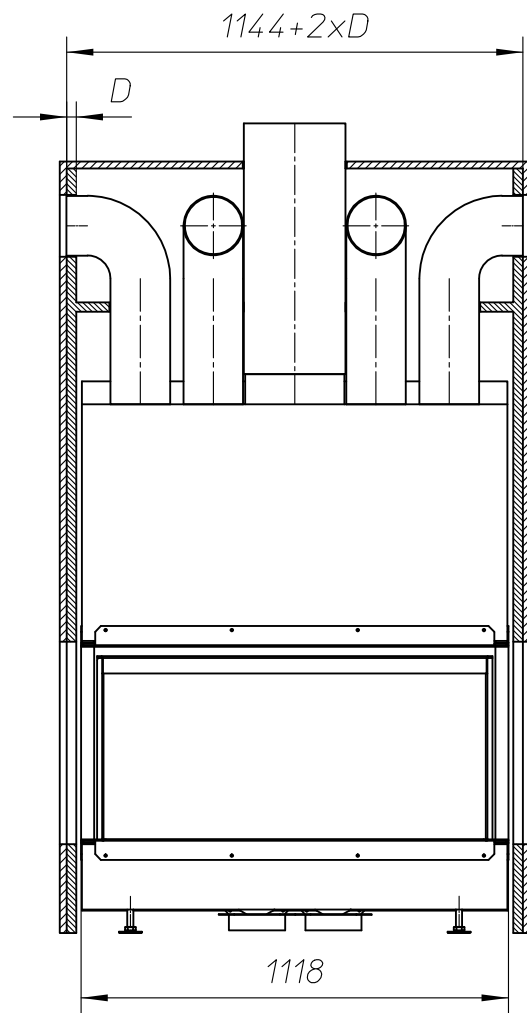


Air inlet ϕ 150

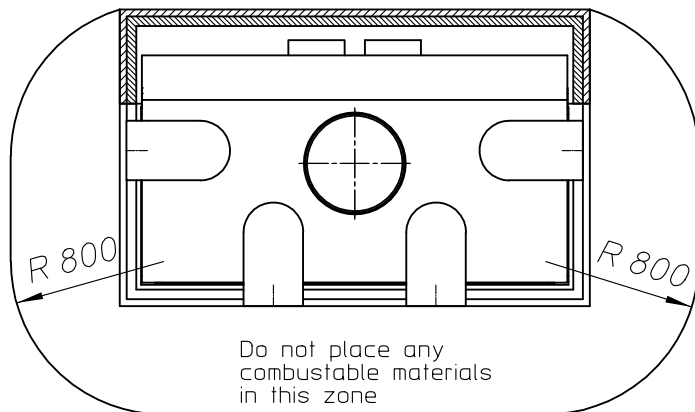
Glass can move max 34.0mm in front direction

Standard configuration of these fireplaces is with the 4mm frame

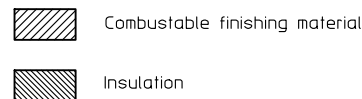




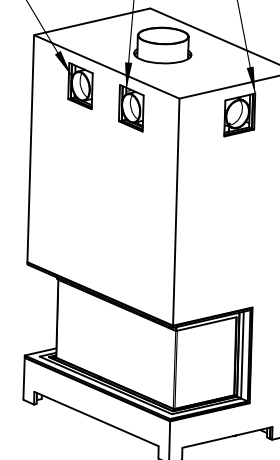
WITHOUT FINISHING FRAME



Min 13mm between fireplace and insulation



Heated convection air



ULTIME D Patented

metalfire

Technical Document

Model: ULTIME D MF 1050-50 WHE 3S

Dimensions (mm)

- combustion opening WxDxH: 1118x461x504
- external WxDxH: 1118x608x1443
- fresh air: 2x ϕ 150
- diameter flue: ϕ 250

Technical Data

- ECOLABEL: A+
- capacity: 17.0kW
- efficiency capacity: 82%
- CO (volume with 13%O₂): 0.087%
- dust (volume with 13%O₂): 27mg/m³
- weight: 320kg
- convection air inlet: minimum 720cm² (4x ϕ 150)
- convection air outlet: minimum 720cm² (4x ϕ 150)

Specifications

- inside finishing: heat-resistant black paint
- vermiculite insulation plates
- convection jacket in galvanized steel
- back: ribbed cast iron
- interior finishing: ORIGINAL (ribbed cast iron)

Options

- finishing frame

Table: prescribed insulation thickness (mm)

Combustible finishing material					
	A	B	C	D	E
Test report (TC = 0,14 W/mK)	25	NC	25	25	25

Non-combustible finishing material					
non-combustible materials (structural building items EXCLUDED e.g. load bearing walls)	A	B	C	D	E
	0	0	0	0	0

TC = thermal conductivity NC = non-combustible

First aid and technical support:

- support@metalfire.eu
- +32 (0)9 261 50 57

scale 1:20

Rev. A

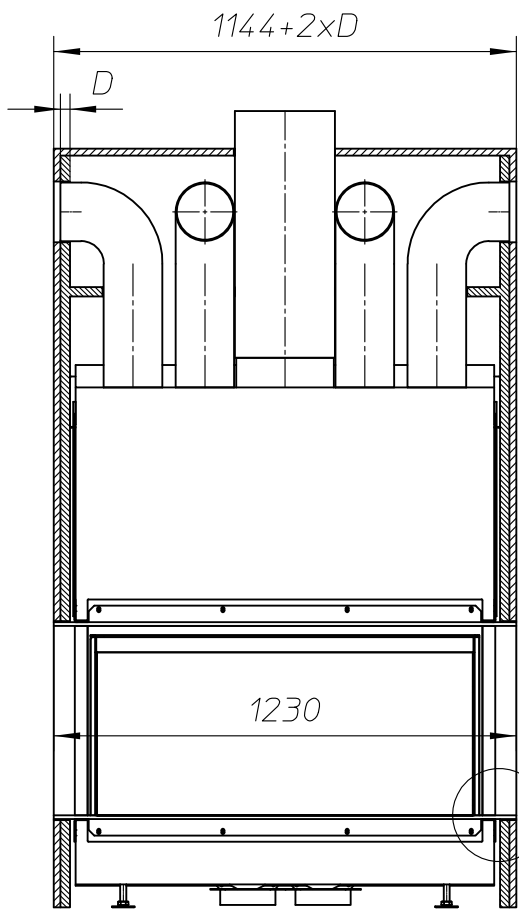
www.metalfire.eu

EN 13229

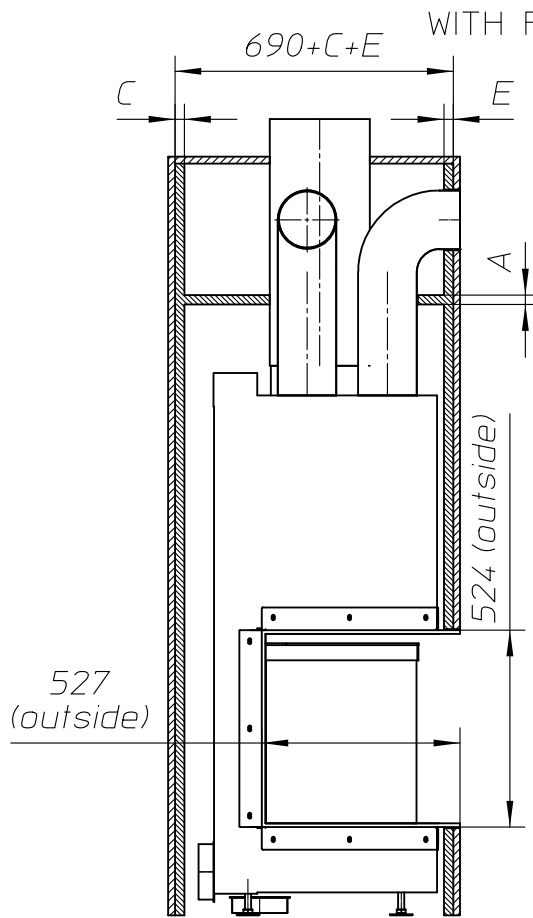
CE

General dimensional tolerances up to 6mm
Metalfire preserves the right to modify specifications without previous notice

Sheet 2/3

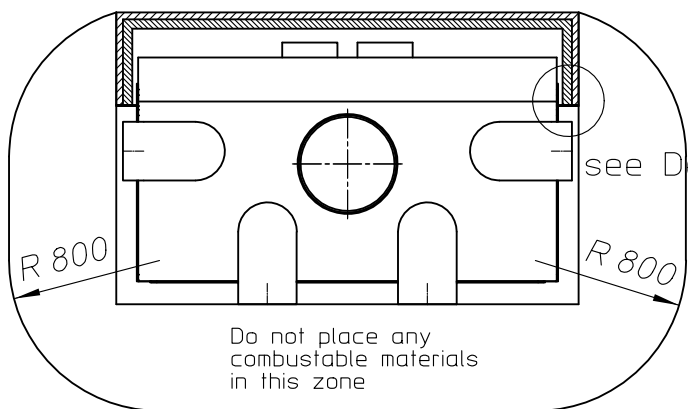


see Detail2



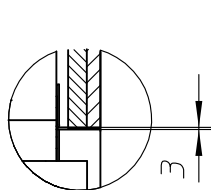
527 (outside)

WITH FINISHING FRAME 90/10

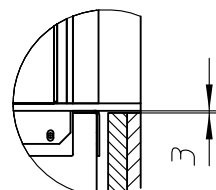


see Detail1

Min 13mm between fireplace and insulation



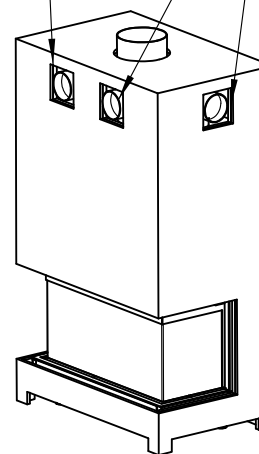
Detail1
Scale 1:10



Detail2
Scale 1:10

- Combustible finishing material
- Insulation

Heated convection air



ULTIME D Patented

metalfire

Technical Document

Model: ULTIME D MF 1050-50 WHE 3S

Dimensions (mm)

- combustion opening WxDxH: 1118x461x504
- external WxDxH: 1118x608x1443
- fresh air: 2xø150
- diameter flue: ø250

Technical Data

- ECOLABEL: A+
- capacity: 17.0kW
- efficiency capacity: 82%
- CO (volume with 13%O₂): 0.087%
- dust (volume with 13%O₂): 27mg/m³
- weight: 320kg
- convection air inlet: minimum 720cm² (4xø150)
- convection air outlet: minimum 720cm² (4xø150)

Specifications

- inside finishing: heat-resistant black paint
- vermiculite insulation plates
- convection jacket in galvanized steel
- back: ribbed cast iron
- interior finishing: ORIGINAL (ribbed cast iron)

Options

- finishing frame

Table: prescribed insulation thickness (mm)

Combustable finishing material					
	A	B	C	D	E
Test report (TC = 0,14 W/mK)	25	NC	25	25	25

Non-combustable finishing material					
non-combustable materials (structural building items EXCLUDED e.g. load bearing walls)	0	0	0	0	0
TC = thermal conductivity NC = non-combustable					

First aid and technical support:

- support@metalfire.eu
- +32 (0)9 261 50 57

scale 1:20

www.metalfire.eu EN 13229

General dimensional tolerances up to 6mm
Metalfire preserves the right to modify specifications without previous notice

Rev.
A
CE
Sheet
3/3