

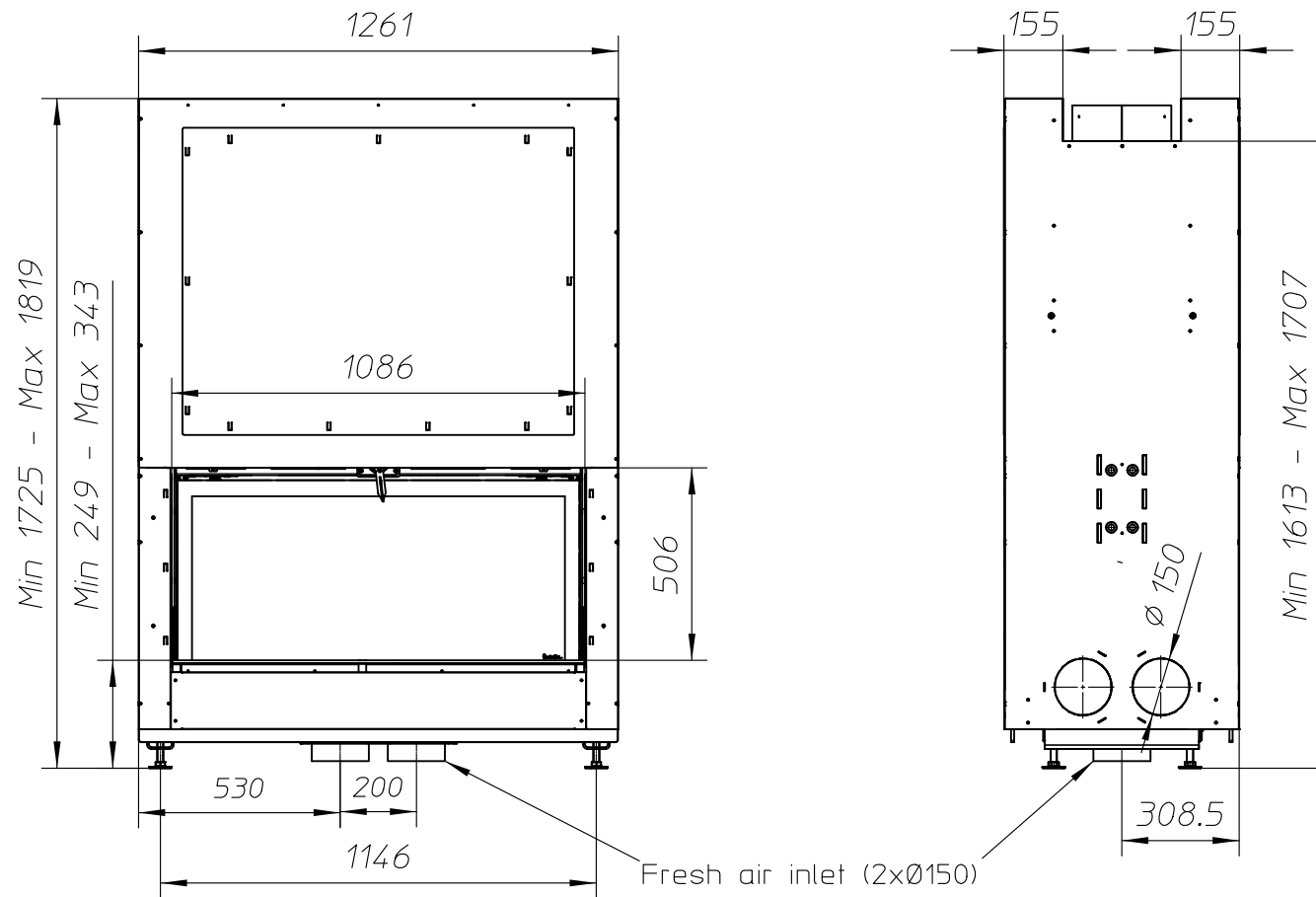
### ULTIME D MF 1050-50 WHE T

#### Dimensions (mm)

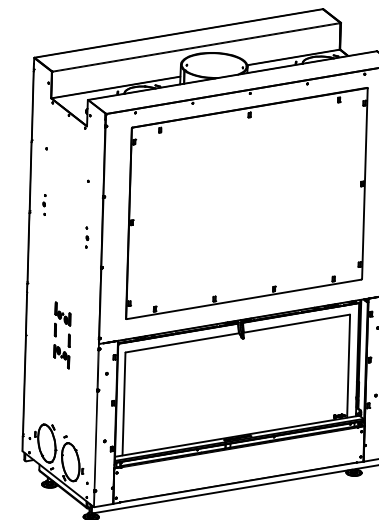
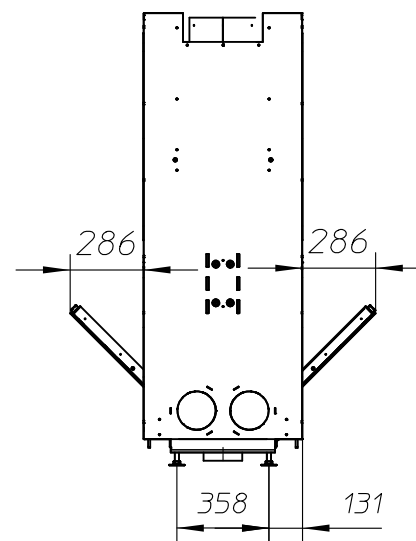
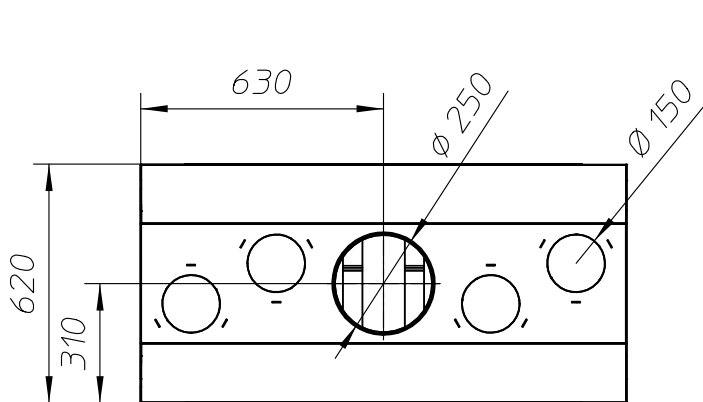
- combustion opening WxH: 1086 x 506
- external WxDxH: 1261 x 620 x 1819
- fresh air intake: 2 x Ø150
- flue gas outlet: Ø250

#### Technical Data

- ecolabel: A
- capacity: 25.2kW
- efficiency: 79%
- CO (volume with 13%O<sub>2</sub>): 0.05%
- dust (volume with 13%O<sub>2</sub>): 30mg/Nm<sup>3</sup>
- weight: 400kg
- convection air inlet: min.700cm<sup>2</sup> (4 x Ø150)
- convection air outlet: min.700cm<sup>2</sup> (4 x Ø150)



Fresh air inlet (2xØ150)

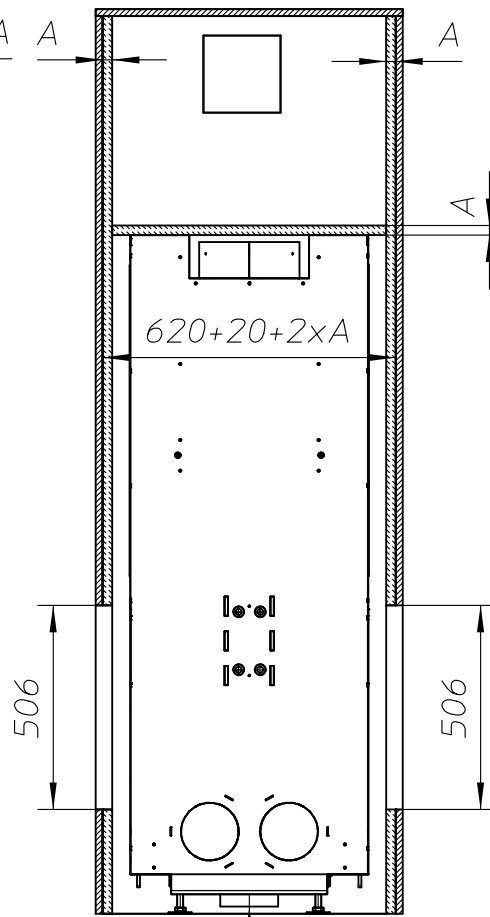
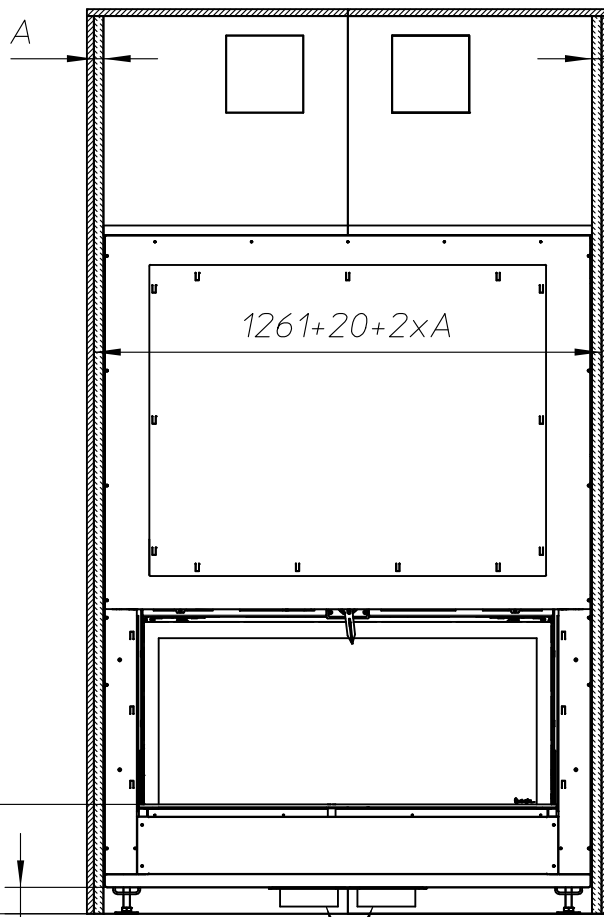
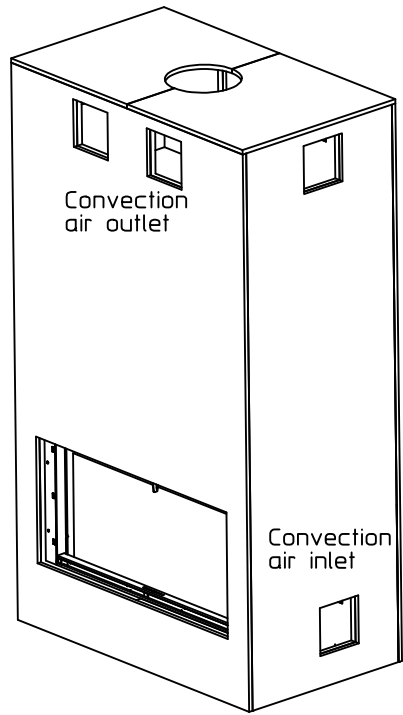


First aid and technical support:

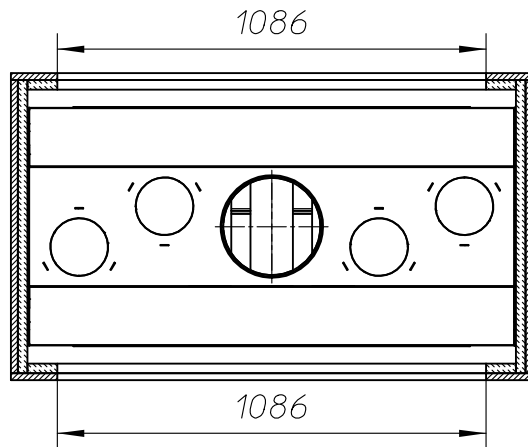
- [support@metalfire.eu](mailto:support@metalfire.eu)
- +32 9 261 51 90



scale 1:20	Rev. -
<a href="http://www.metalfire.eu">www.metalfire.eu</a> EN 13229	CE
General dimensional tolerances up to 6mm Metalfire preserves the right to modify specifications without previous notice	Sheet 1/5

Without finishing frame



Min 249 - Max 343  
Min 34 - Max 128



 Combustible finishing material  
 Insulation (thickness see table)

ULTIME D Patented

*Metalfire*

Technical Document

ULTIME D MF 1050-50 WHE T

Prescribed insulation thickness (mm)

Combustible finishing material

Metalfire recommended  
SILCA T 300  
(TC = 0,09 W/mK)

A = 25mm

Non-combustible finishing material

non-combustable  
materials  
structural building items  
EXCLUDED e.g. load bearing walls

A = 0mm

TC = thermal conductivity

NC = non-combustable

First aid and technical support:

- support@metalfire.eu

- +32 9 261 51 90

scale 1:20

Rev.

-

www.metalfire.eu

EN 13229

CE

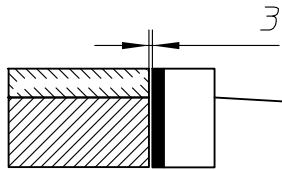
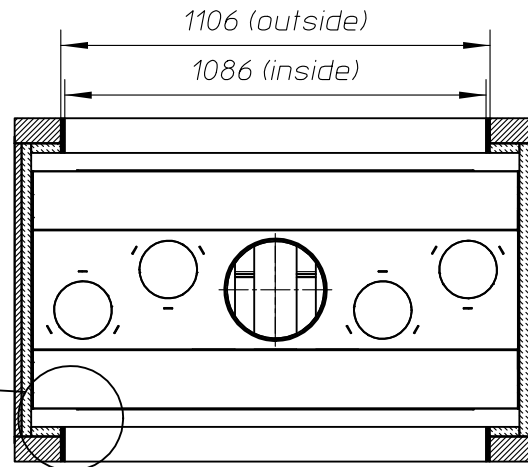
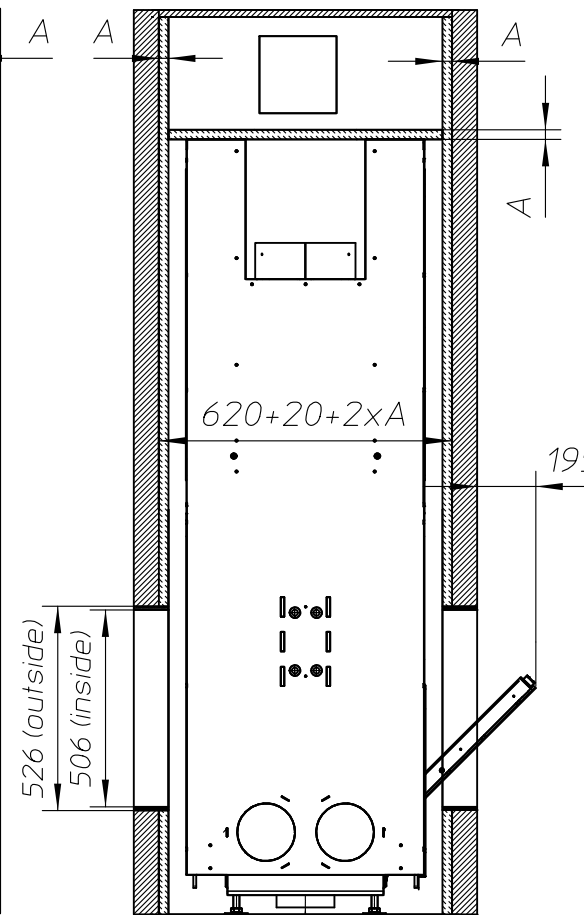
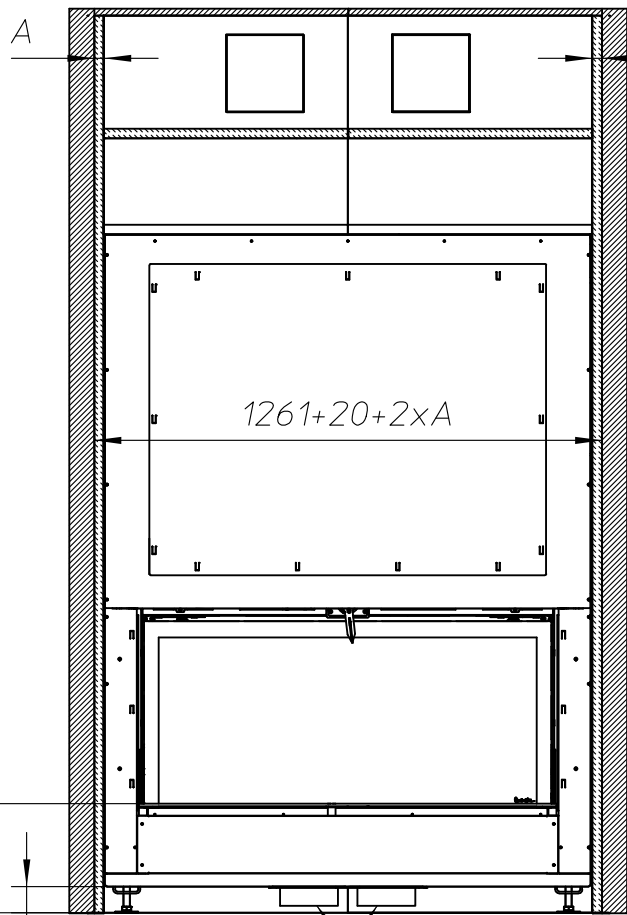
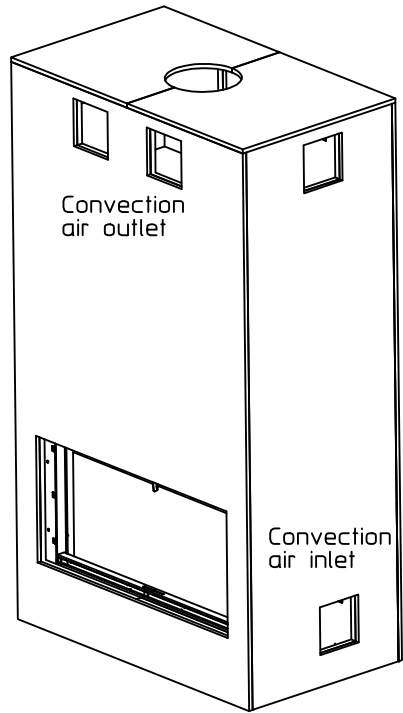
General dimensional tolerances up to 6mm


Metalfire preserves the right to modify specifications without previous notice

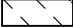
Sheet

2/5

With finishing frame 90/10



 Combustible finishing material

 Insulation (thickness see table)

# ULTIME D

Patented

*Metalfire*

## Technical Document

ULTIME D MF 1050-50 WHE T

Prescribed insulation thickness (mm)

Combustible finishing material

Metalfire recommended  
SILCA T 300  
(TC = 0,09 W/mK)

A = 25mm

Non-combustible finishing material

non-combustible  
materials  
structural building items  
EXCLUDED e.g. load bearing walls

A = 0mm

TC = thermal conductivity

NC = non-combustible

First aid and technical support:

- support@metalfire.eu

- +32 9 261 51 90

scale 1:20

Rev.

-

www.metalfire.eu

EN 13229

CE

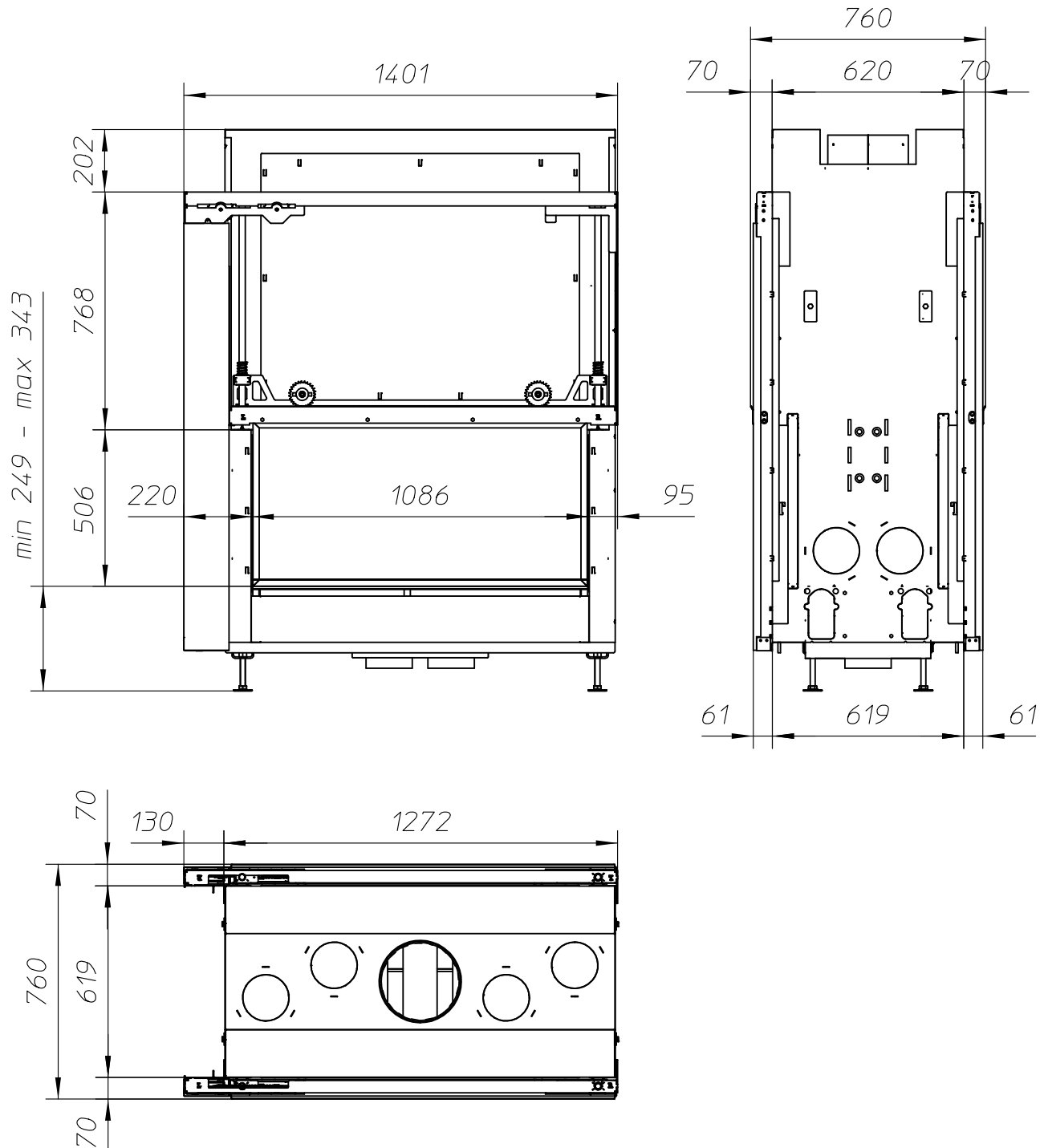
General dimensional tolerances up to 6mm

Metalfire preserves the right to modify specifications without previous notice

Sheet

3/5

WITH 2 X FIRESCREEN - NO FINISHING FRAME



ULTIME D Patented

*Metalfire*

Technical Document

ULTIME D MF 1050-50 WHE T

Dimensions (mm)

- combustion opening WxH: 1086 x 506
- external WxDxH: 1401 x 760 x 2069
- fresh air intake: 2 x Ø150
- flue gas outlet: Ø250

Technical Data

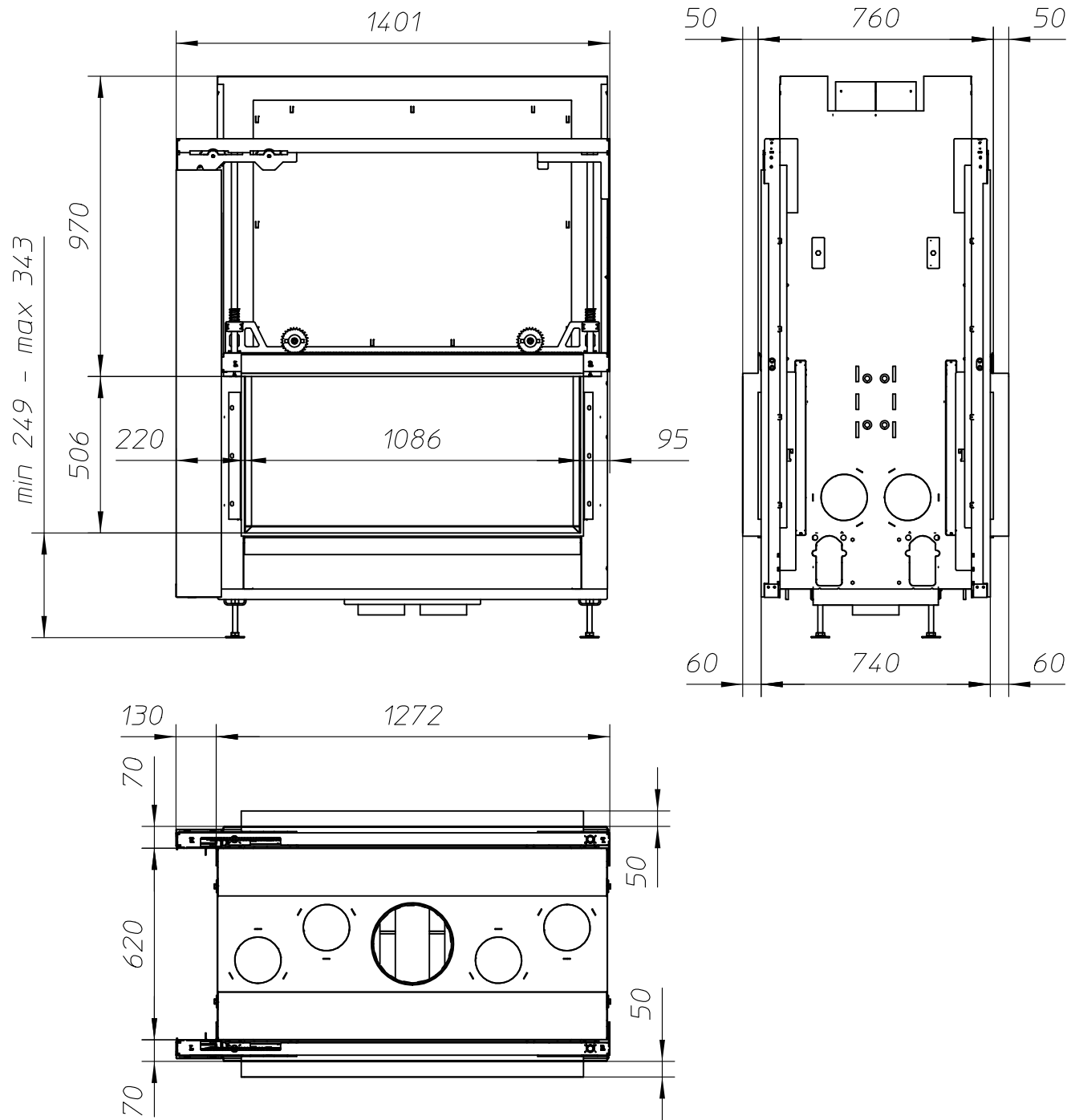
- ecolabel: A
- capacity: 25.2kW
- efficiency: 79%
- CO (volume with 13%O<sub>2</sub>): 0.05%
- dust (volume with 13%O<sub>2</sub>): 30mg/Nm<sup>3</sup>
- weight: 400kg
- convection air inlet: min.700cm<sup>2</sup> (4 x Ø150)
- convection air outlet: min.700cm<sup>2</sup> (4 x Ø150)

First aid and technical support:

- support@metalfire.eu
- +32 9 261 51 90

scale 1:20	Rev. -
www.metalfire.eu EN 13229	CE
General dimensional tolerances up to 6mm Metalfire preserves the right to modify specifications without previous notice	Sheet 4/5

WITH 2 X FIRESCREEN AND FINISHING FRAME 120/10



ULTIME D Patented

*Metalfire*

Technical Document

ULTIME D MF 1050-50 WHE T

Dimensions (mm)

- combustion opening WxH: 1086 x 506
- external WxDxH: 1401 x 860 x 2069
- fresh air intake: 2 x Ø150
- flue gas outlet: Ø250

Technical Data

- ecolabel: A
- capacity: 25.2kW
- efficiency: 79%
- CO (volume with 13%O<sub>2</sub>): 0.05%
- dust (volume with 13%O<sub>2</sub>): 30mg/Nm<sup>3</sup>
- weight: 400kg
- convection air inlet: min.700cm<sup>2</sup> (4 x Ø150)
- convection air outlet: min.700cm<sup>2</sup> (4 x Ø150)

First aid and technical support:

- support@metalfire.eu
- +32 9 261 51 90

scale 1:20	Rev. -
www.metalfire.eu EN 13229	CE
General dimensional tolerances up to 6mm Metalfire preserves the right to modify specifications without previous notice	Sheet 5/5