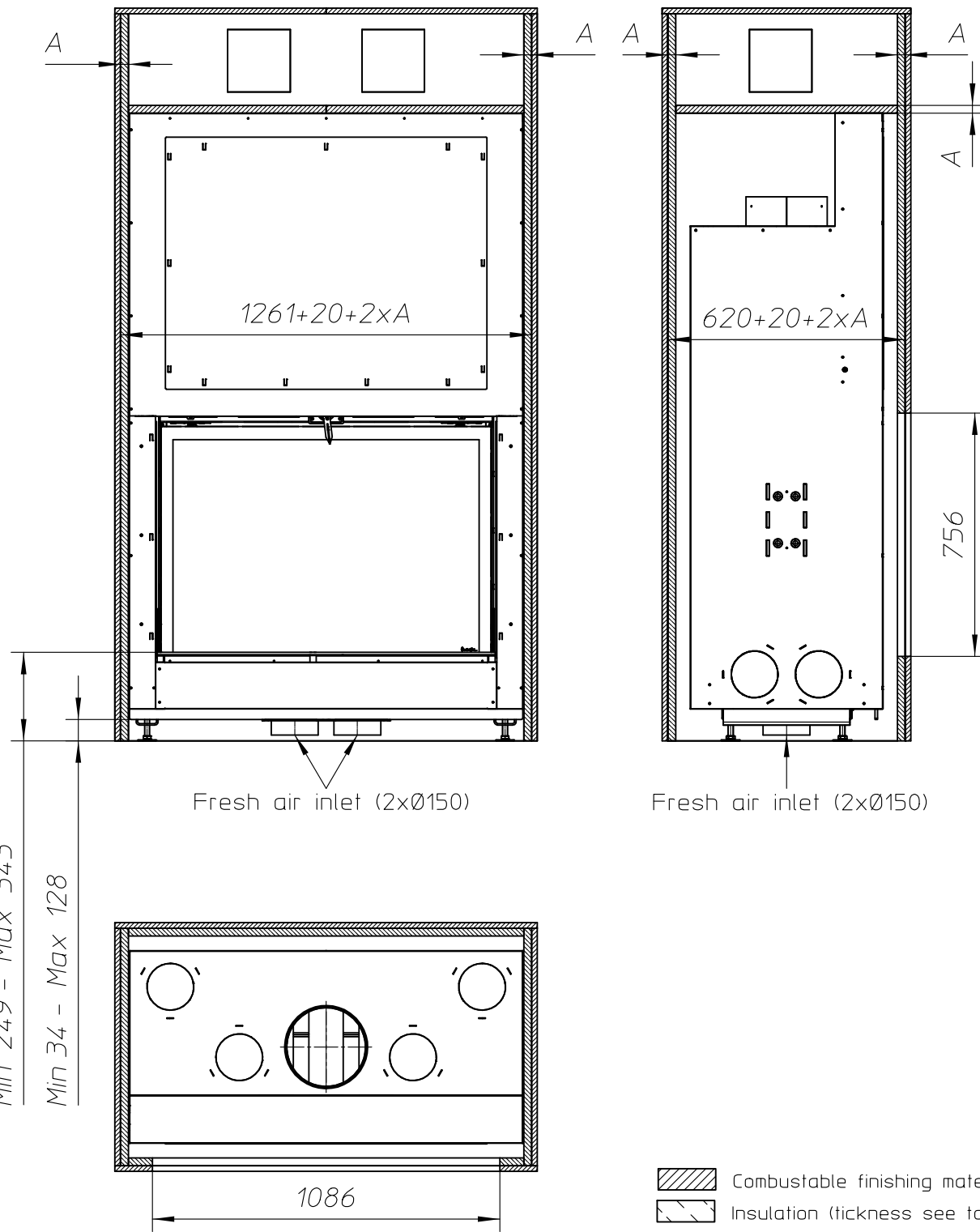
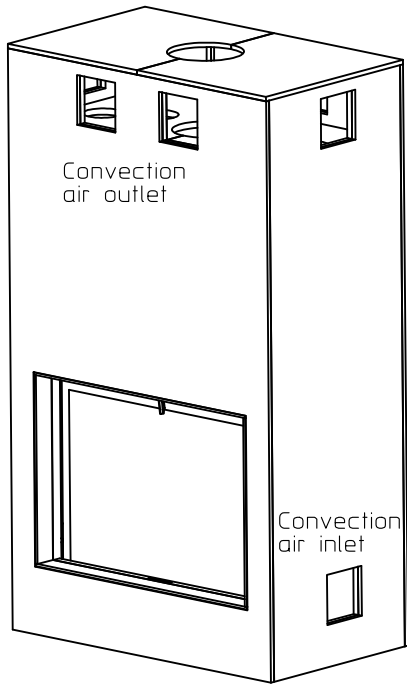




Without finishing frame



Min 249 - Max 343  
Min 34 - Max 128

# ULTIME D Patented

*Metalfire*

## Technical Document

ULTIME D MF 1050-75 WHE 1S BRICK

Prescribed insulation thickness (mm)

Combustable finishing material

Metalfire recommended  
SILCA T 300  
(TC = 0,09 W/mK)

A = 25mm

Non-combustable finishing material

non-combustable  
materials  
structural building items  
EXCLUDED e.g. load bearing walls

A = 0mm

TC = thermal conductivity NC = non-combustable

First aid and technical support:

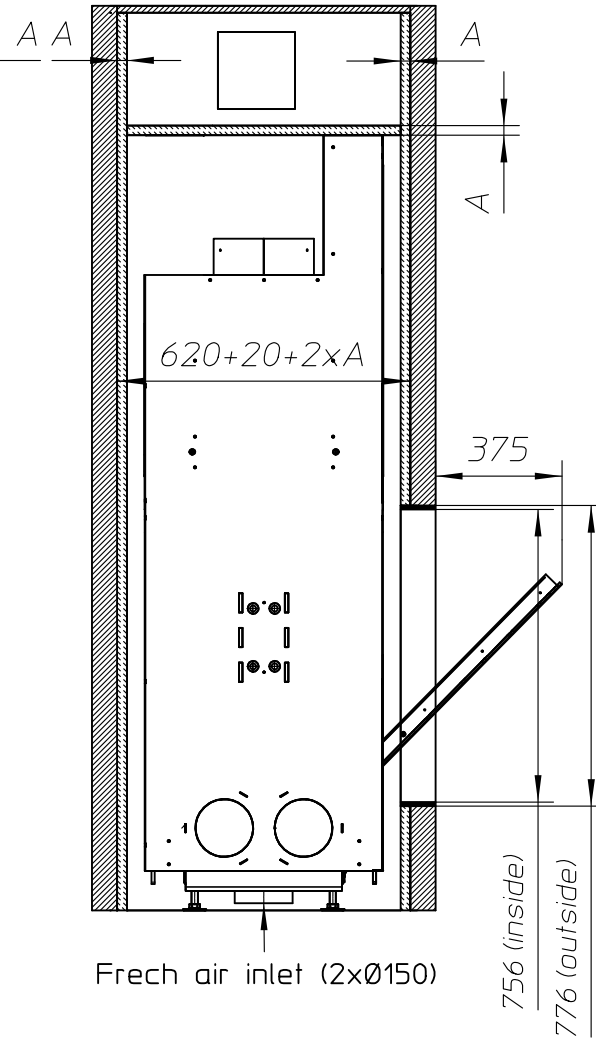
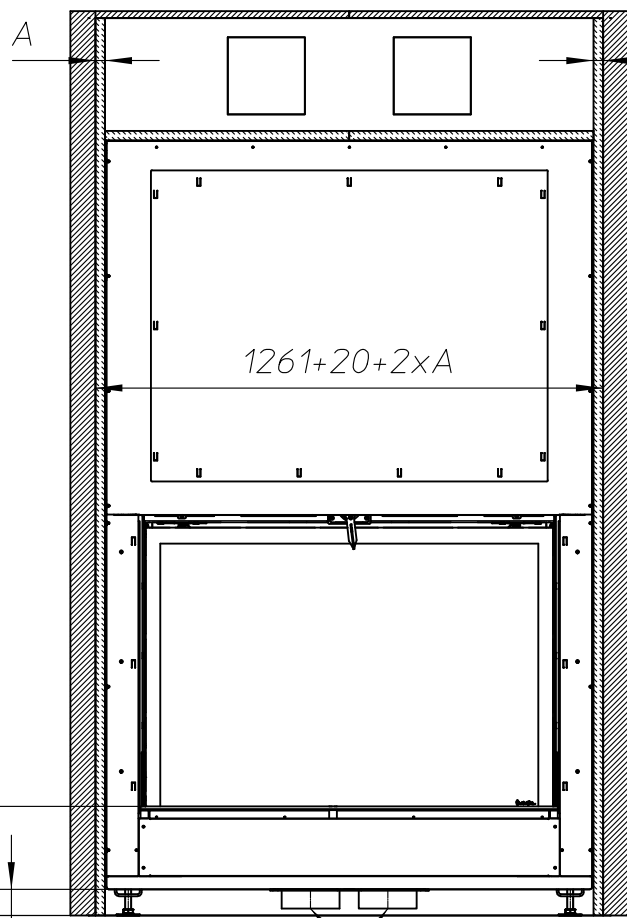
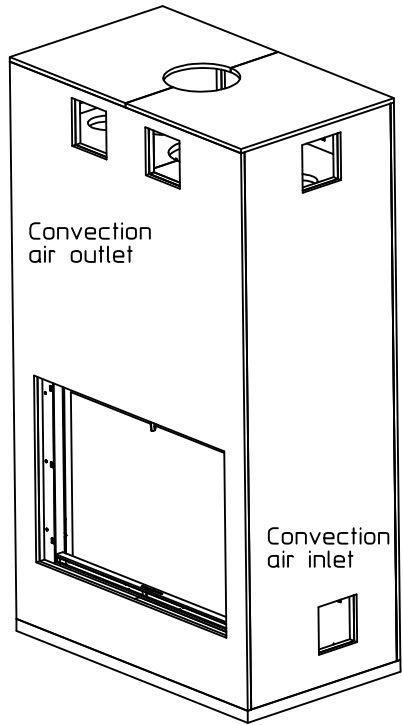
- support@metalfire.eu
- +32 9 261 51 90

scale 1:20 Rev. B

www.metalfire.eu EN 13229 CE

General dimensional tolerances up to 6mm  
Metalfire preserves the right to modify specifications without previous notice Sheet 2/5

With finishing frame 90/10

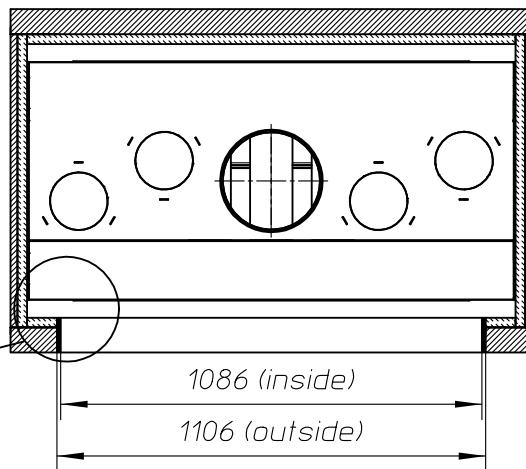


Min 249 - Max 343  
Min 34 - Max 128

Fresh air inlet (2xØ150)

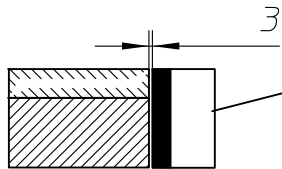
Fresh air inlet (2xØ150)

756 (inside)  
776 (outside)

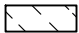


1086 (inside)

1106 (outside)



 Combustible finishing material

 Insulation (thickness see table)

ULTIME D Patented

*Metalfire*

Technical Document

ULTIME D MF 1050-75 WHE 1S BRICK

Prescribed insulation thickness (mm)

Combustible finishing material

Metalfire recommended  
SILCA T 300  
(TC = 0,09 W/mK)

A = 25mm

Non-combustible finishing material

non-combustible  
materials  
structural building items  
EXCLUDED e.g. load bearing walls

A = 0mm

TC = thermal conductivity

NC = non-combustible

First aid and technical support:

- support@metalfire.eu

- +32 9 261 51 90

scale 1:20

www.metalfire.eu EN 13229

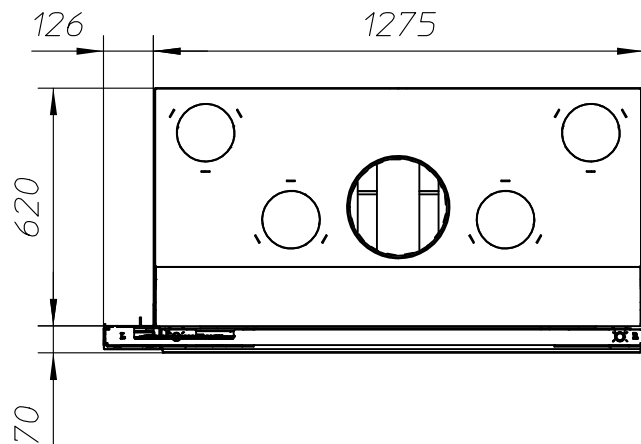
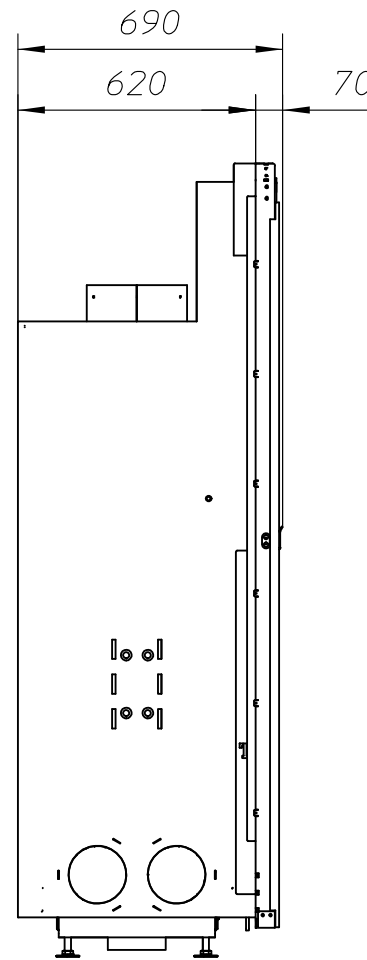
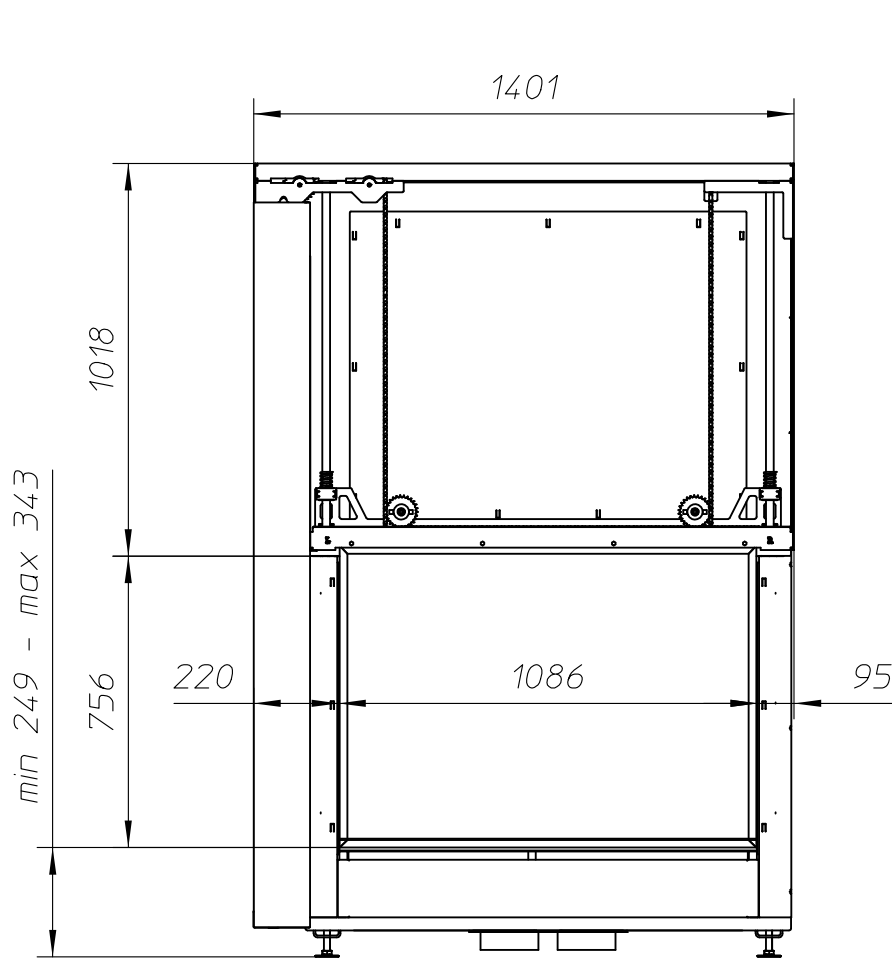
General dimensional tolerances up to 6mm  
Metalfire preserves the right to modify specifications without previous notice

Rev.  
B

CE

Sheet  
3/5

WITH FIRESCREEN - NO FINISHING FRAME



ULTIME D Patented

*Metalfire*

Technical Document

ULTIME D MF 1050-75 WHE 1S Brick

Dimensions (mm)

- combustion opening WxH: 1086 x 756
- external WxDxH: 1401 x 690 x 2069
- fresh air intake: 2 x Ø150
- flue gas outlet: Ø250

Technical Data

- ecolabel: A
- capacity: 25.2kW
- efficiency: 79%
- CO (volume with 13%O<sub>2</sub>): 0.05%
- dust (volume with 13%O<sub>2</sub>): 30mg/Nm<sup>3</sup>
- weight: 400kg
- convection air inlet: min.700cm<sup>2</sup> (4 x Ø150)
- convection air outlet: min.700cm<sup>2</sup> (4 x Ø150)

First aid and technical support:

- support@metalfire.eu
- +32 9 261 51 90

scale 1:20	Rev. B
www.metalfire.eu EN 13229	CE
General dimensional tolerances up to 6mm Metalfire preserves the right to modify specifications without previous notice	Sheet 4/5

WITH FIRESCREEN AND FINISHING FRAME 120/10

ULTIME D Patented

*Metalfire*

Technical Document

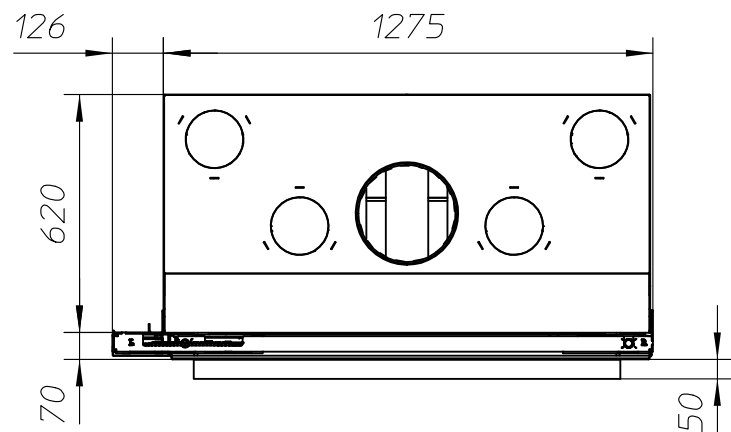
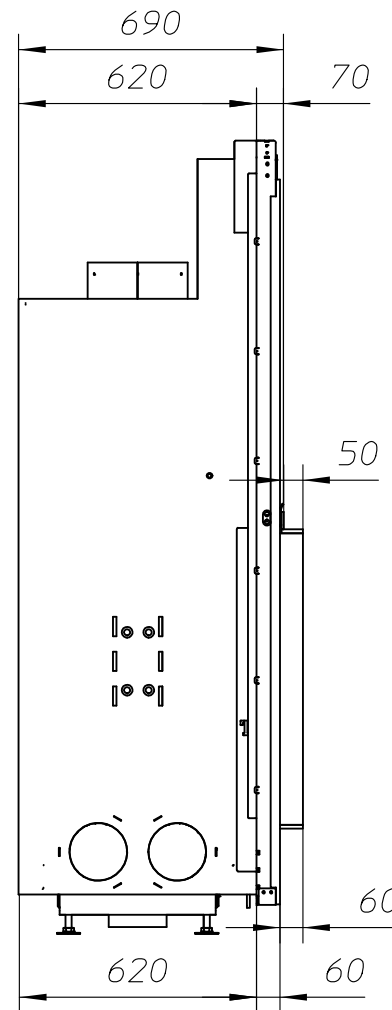
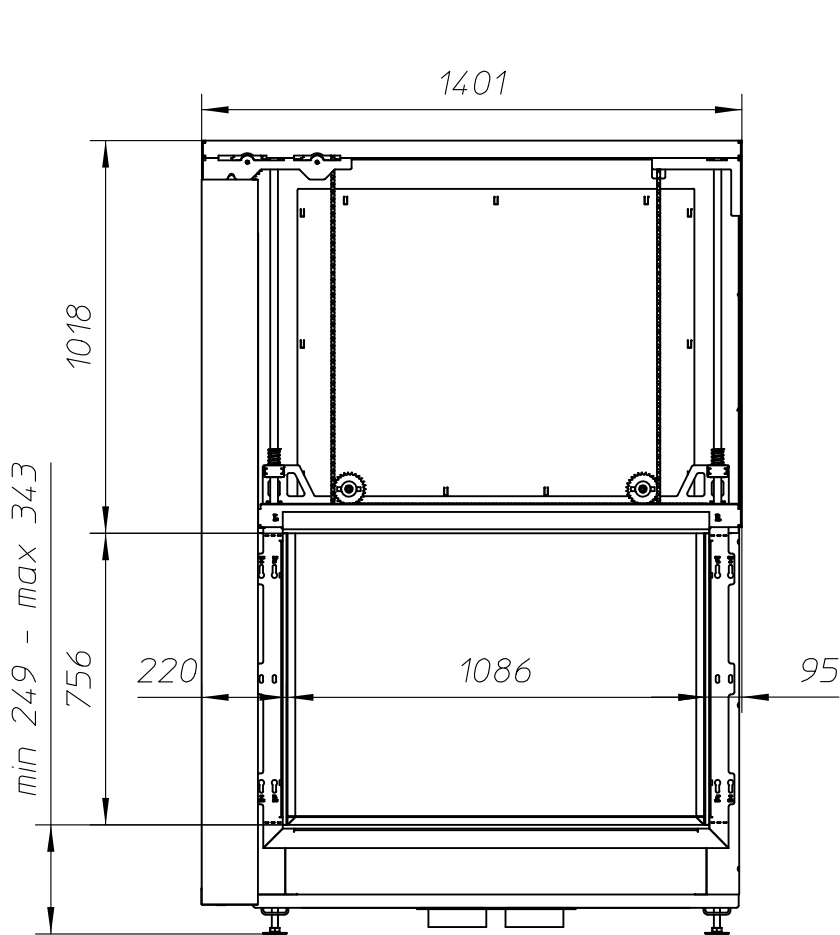
ULTIME D MF 1050-75 WHE 1S Brick

Dimensions (mm)

- combustion opening WxH: 1086 x 756
- external WxDxH: 1401 x 740 x 2069
- fresh air intake: 2 x Ø150
- flue gas outlet: Ø250

Technical Data

- ecolabel: A
- capacity: 25.2kW
- efficiency: 79%
- CO (volume with 13%O<sub>2</sub>): 0.05%
- dust (volume with 13%O<sub>2</sub>): 30mg/Nm<sup>3</sup>
- weight: 400kg
- convection air inlet: min.700cm<sup>2</sup> (4 x Ø150)
- convection air outlet: min.700cm<sup>2</sup> (4 x Ø150)



First aid and technical support:

- support@metalfire.eu
- +32 9 261 51 90

scale 1:20	Rev. B
www.metalfire.eu EN 13229	CE
General dimensional tolerances up to 6mm Metalfire preserves the right to modify specifications without previous notice	Sheet 5/5