

# ULTIME D Patented

## metalfire

### Technical Document

Model: ULTIME D MF 1050-75 WHE 1S

- Dimensions (mm)**
- combustion opening WxH: 1086x756
  - external WxDxH: 1310x619x2061
  - fresh air: 2x $\phi$ 150
  - diameter flue:  $\phi$ 300

- Technical Data**
- capacity: 27kW
  - efficiency capacity: 77.6%
  - CO (volume with 13%O<sub>2</sub>): 0.1%
  - dust (volume with 13%O<sub>2</sub>): 26mg/m<sup>3</sup>
  - weight: 495kg
  - Air intake to convection: minimum 720cm<sup>2</sup> (4x $\phi$ 150)
  - Air exhaust to convection: minimum 720cm<sup>2</sup> (4x $\phi$ 150)

- Specifications**
- inside finishing: heat-resistant black paint
  - vermiculite insulation plates
  - convection jacket in galvanized steel
  - cast iron stoke grate
  - back and sides: ribbed cast iron
  - interior finishing: ORIGINAL (ribbed cast iron)

- Options**
- Promat insulation kit
  - Finishing frame

Table: prescribed insulation thickness (mm)

	Combustible finishing material				
	A	B	C	D	E
Test report (TC = 0,14 W/mK)	NC	NC	100	130	40
Metalfire recommended Promasil 1100L (TC = 0,081 W/mK)	NC	NC	60	75	25
Non-combustible finishing material					
non-combustible materials (structural building items EXCLUDED e.g. load bearing walls)	0	0	0	0	0

TC = thermal conductivity      NC = non-combustible

**First aid and technical support:**

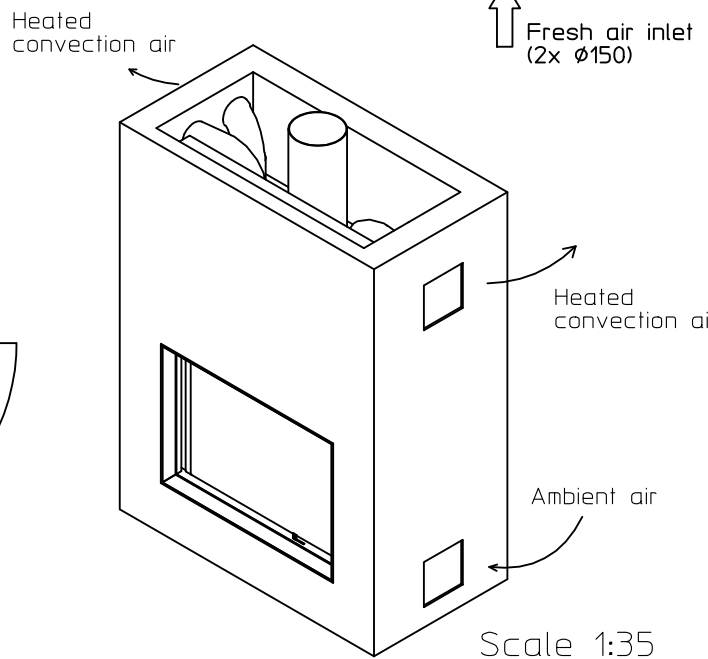
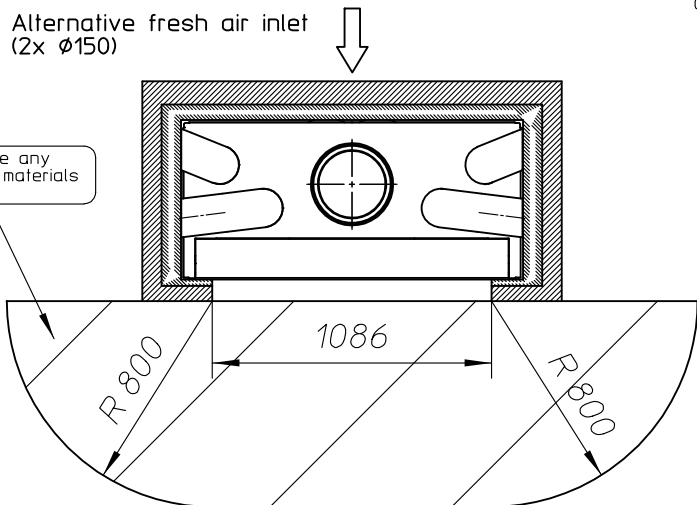
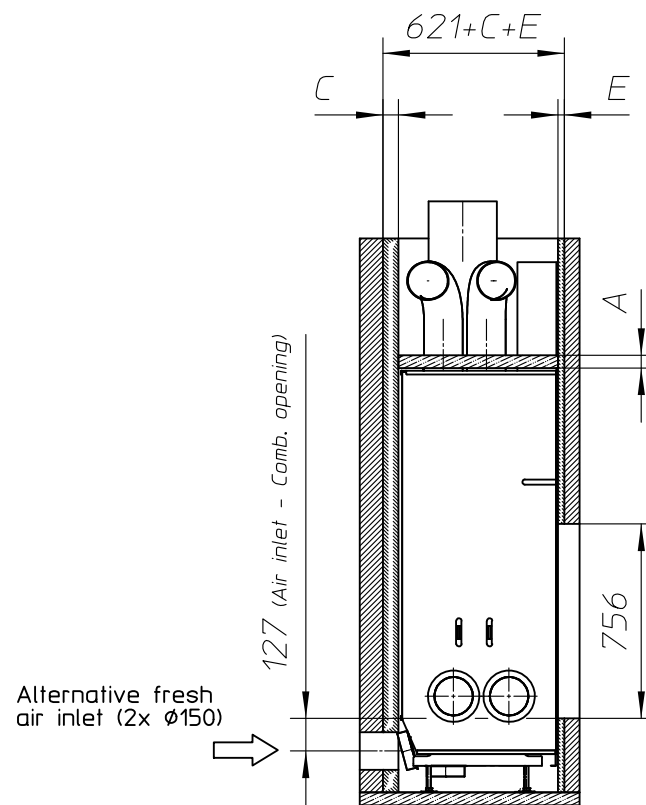
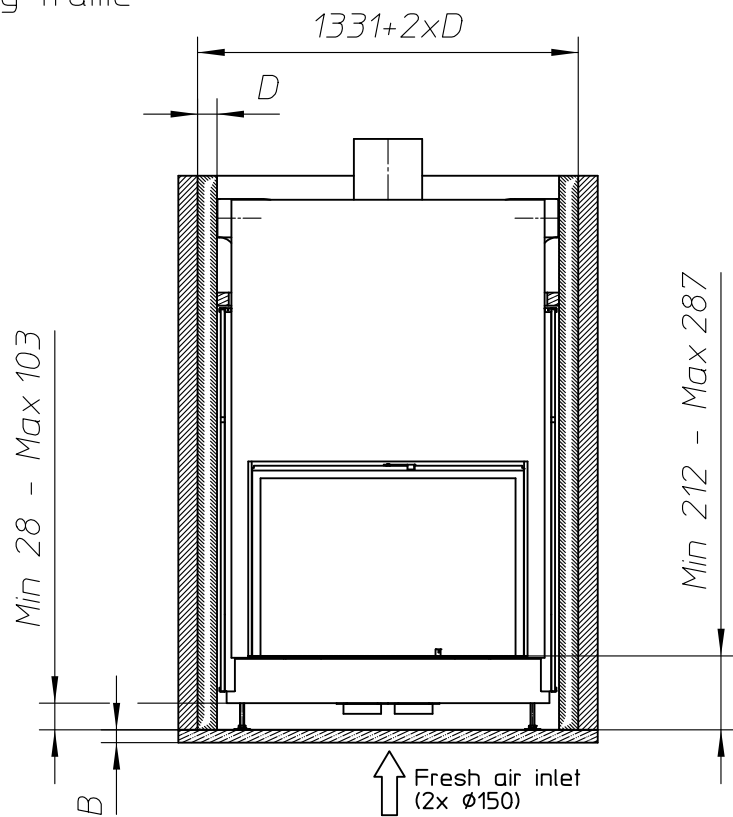
- [support@metalfire.eu](mailto:support@metalfire.eu)
- +32 (0)9 261 50 57

scale 1:25 Rev. A

[www.metalfire.eu](http://www.metalfire.eu) EN 13229 CE

General dimensional tolerances up to 6mm  
Metalfire preserves the right to modify specifications without previous notice Sheet 1/5

Without finishing frame



# ULTIME D Patented

## metalfire

### Technical Document

Model: ULTIME D MF 1050-75 WHE 1S

#### Dimensions (mm)

- combustion opening WxH: 1086x756
- external WxDxH: 1310x619x2061
- fresh air: 2xø150
- diameter flue: ø300

#### Technical Data

- capacity: 27kW
- efficiency capacity: 77.6%
- CO (volume with 13%O<sub>2</sub>): 0.1%
- dust (volume with 13%O<sub>2</sub>): 26mg/m<sup>3</sup>
- weight: 495kg
- Air intake to convection: minimum 720cm<sup>2</sup> (4xø150)
- Air exhaust to convection: minimum 720cm<sup>2</sup> (4xø150)

#### Specifications

- inside finishing: heat-resistant black paint
- vermiculite insulation plates
- convection jacket in galvanized steel
- cast iron stoke grate
- back and sides: ribbed cast iron
- interior finishing: ORIGINAL (ribbed cast iron)

#### Options

- Promat insulation kit
- Finishing frame

#### Table: prescribed insulation thickness (mm)

Combustible finishing material					
	A	B	C	D	E
Test report (TC = 0,14 W/mK)	NC	NC	100	130	40
Metalfire recommended Promasil 1100L (TC = 0,081 W/mK)	NC	NC	60	75	25
Non-combustible finishing material					
non-combustible materials (structural building items EXCLUDED e.g. load bearing walls)	0	0	0	0	0
TC = thermal conductivity NC = non-combustible					

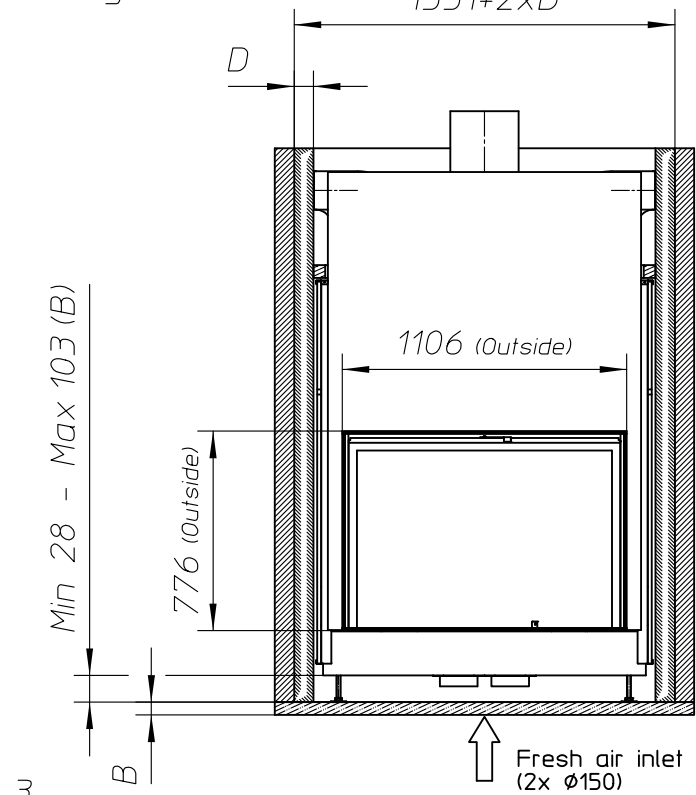
#### First aid and technical support:

- [support@metalfire.eu](mailto:support@metalfire.eu)
- +32 (0)9 261 50 57

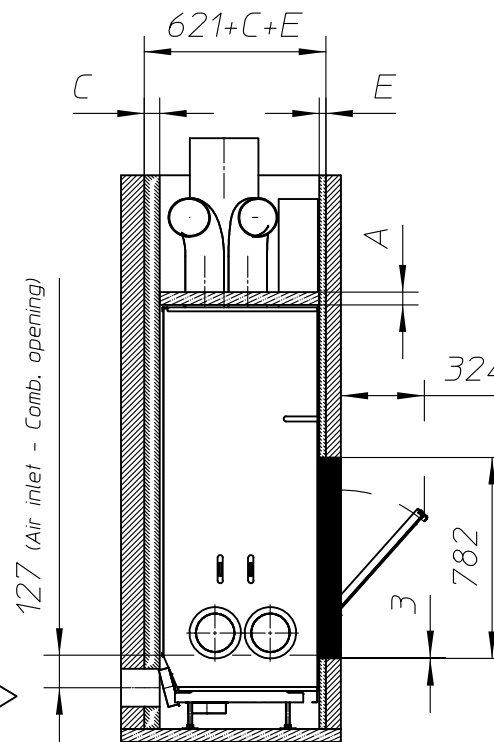
scale 1:30	Rev. A
<a href="http://www.metalfire.eu">www.metalfire.eu</a>	EN 13229
General dimensional tolerances up to 6mm Metalfire preserves the right to modify specifications without previous notice	Sheet 2/5

- Combustible finishing material
- Non-combustible finishing material
- Insulation
- Insulation thickness => see table

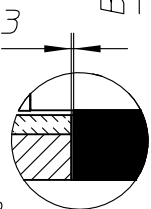
With finishing frame 90/10  $1331+2xD$



Alternative fresh air inlet (2x Ø150)

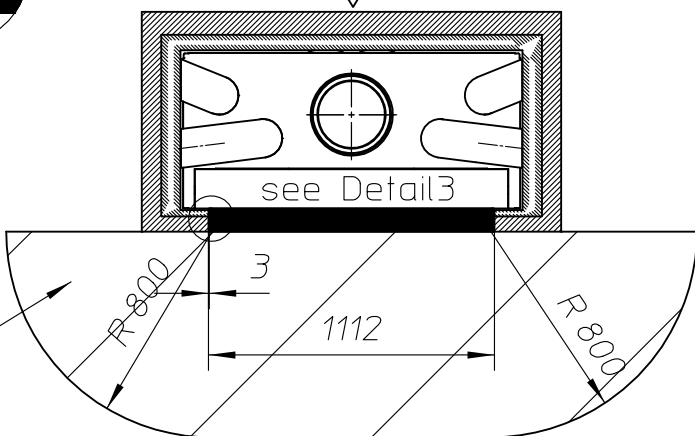


Fresh air inlet (2x Ø150)

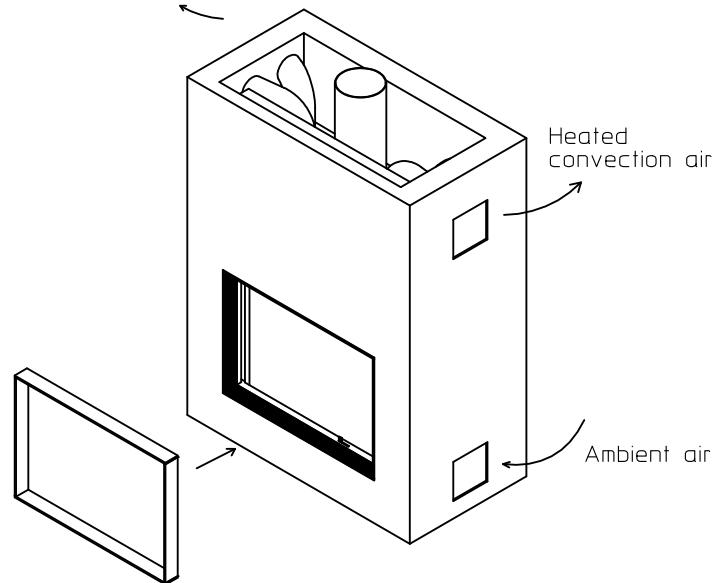


Alternative fresh air inlet (2x Ø150)

Detail3  
Scale 1:10



Heated convection air



ULTIME D Patented

metalfire

Technical Document

Model: ULTIME D MF 1050-75 WHE 1S

**Dimensions (mm)**

- combustion opening WxH: 1086x756
- external WxDxH: 1310x619x2061
- fresh air: 2xØ150
- diameter flue: Ø300

**Technical Data**

- capacity: 27kW
- efficiency capacity: 77.6%
- CO (volume with 13%O<sub>2</sub>): 0.1%
- dust (volume with 13%O<sub>2</sub>): 26mg/m<sup>3</sup>
- weight: 495kg
- Air intake to convection: minimum 720cm<sup>2</sup> (4xØ150)
- Air exhaust to convection: minimum 720cm<sup>2</sup> (4xØ150)

**Specifications**

- inside finishing: heat-resistant black paint
- vermiculite insulation plates
- convection jacket in galvanized steel
- cast iron stoke grate
- back and sides: ribbed cast iron
- interior finishing: ORIGINAL (ribbed cast iron)

**Options**

- Promat insulation kit
- Finishing frame

Table: prescribed insulation thickness (mm)

	Combustable finishing material				
	A	B	C	D	E
Test report (TC = 0,14 W/mK)	NC	NC	100	130	40
Metalfire recommended Promasil 1100L (TC = 0,081 W/mK)	NC	NC	60	75	25
Non-combustable finishing material					
non-combustable materials (structural building items EXCLUDED e.g. load bearing walls)	0	0	0	0	0
TC = thermal conductivity NC = non-combustable					

**First aid and technical support:**

- support@metalfire.eu
- +32 (0)9 261 50 57

scale 1:25

www.metalfire.eu

EN 13229

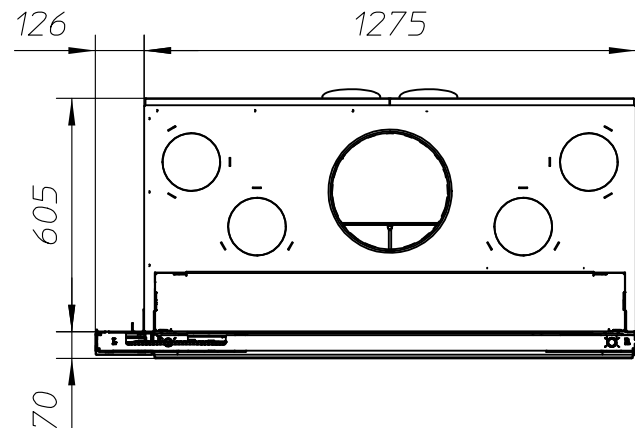
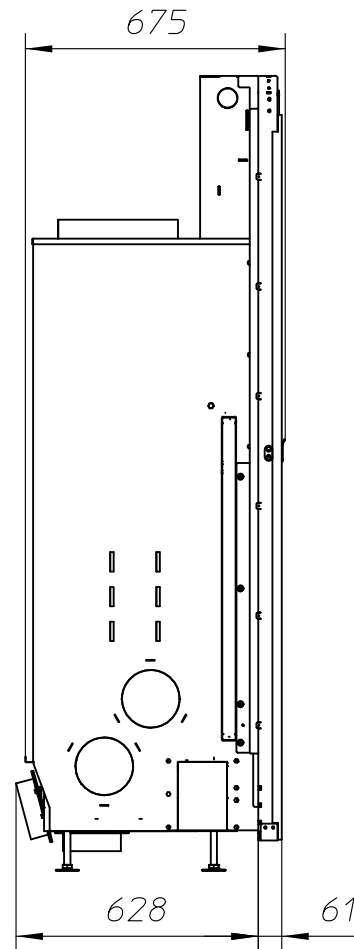
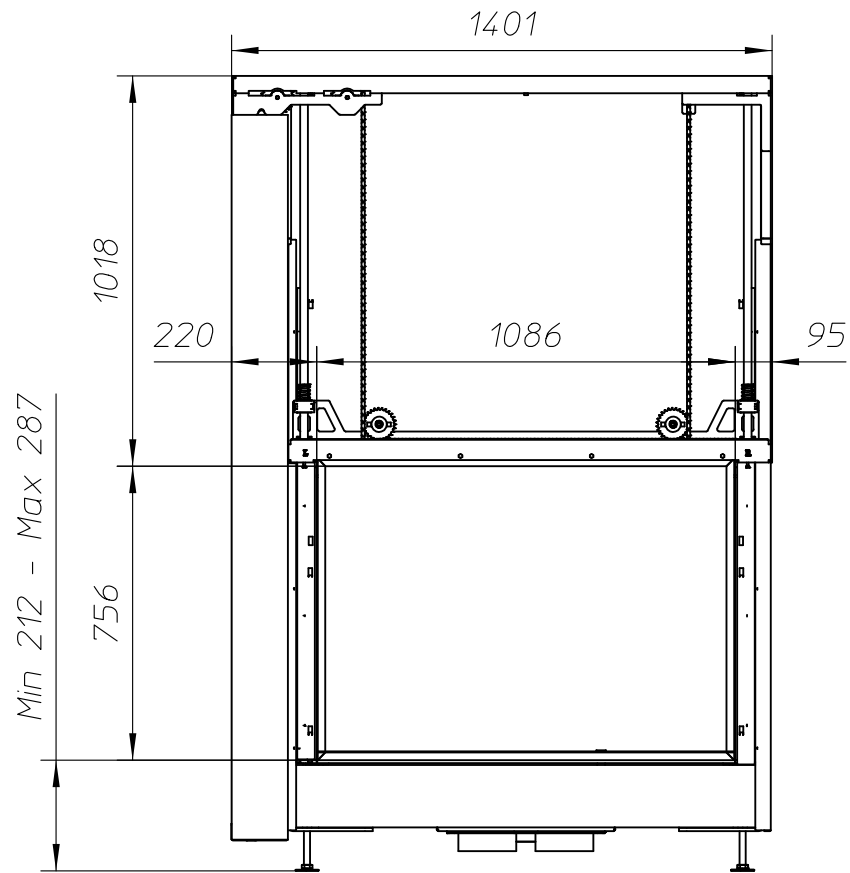
General dimensional tolerances up to 6mm  
Metalfire preserves the right to modify specifications without previous notice

Rev. A

Sheet 3/5

- Combustable finishing material
- Non-combustable finishing material
- Insulation
- Insulation thickness => see table

WITH FIRESCREEN - NO FINISHING FRAME



ULTIME D Patented

metalfire

Technical Document

Model: ULTIME D MF 1050-75 WHE 1S

**Dimensions (mm)**

- combustion opening WxH: 1086x756
- external WxDxH: 1401x689x2061
- fresh air: 2x $\phi$ 150
- diameter flue:  $\phi$ 300

**Technical Data**

- capacity: 27kW
- efficiency capacity: 77.6%
- CO (volume with 13%O<sub>2</sub>): 0.1%
- dust (volume with 13%O<sub>2</sub>): 26mg/N<sup>3</sup>
- weight: 495kg
- Air intake to convection: minimum 720cm<sup>2</sup>(4x $\phi$ 150)
- Air exhaust to convection: minimum 720cm<sup>2</sup>(4x $\phi$ 150)

**Specifications**

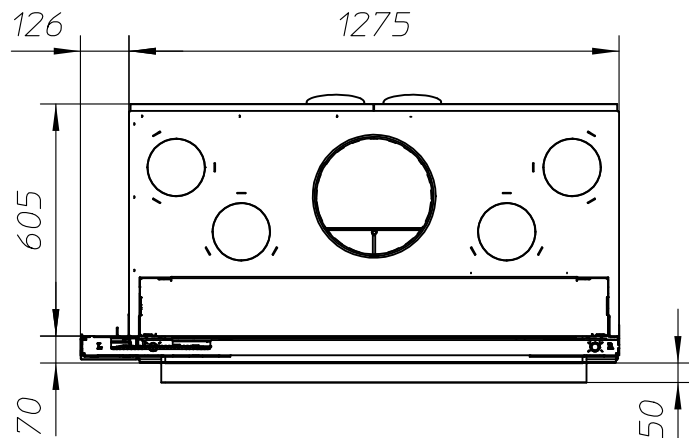
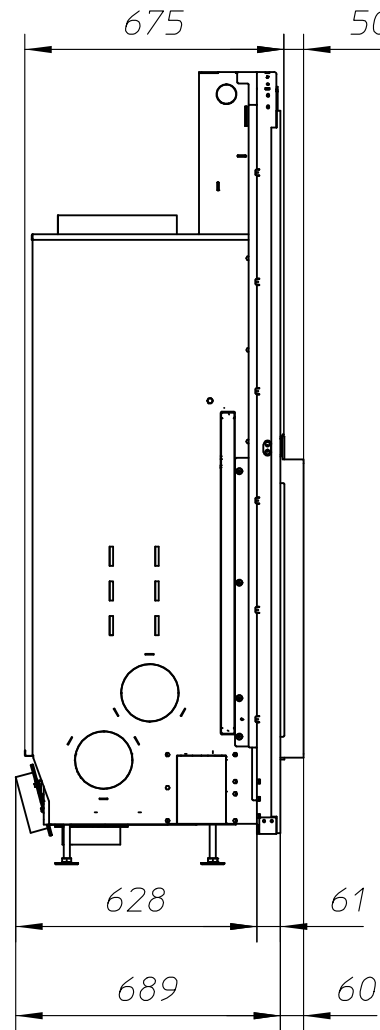
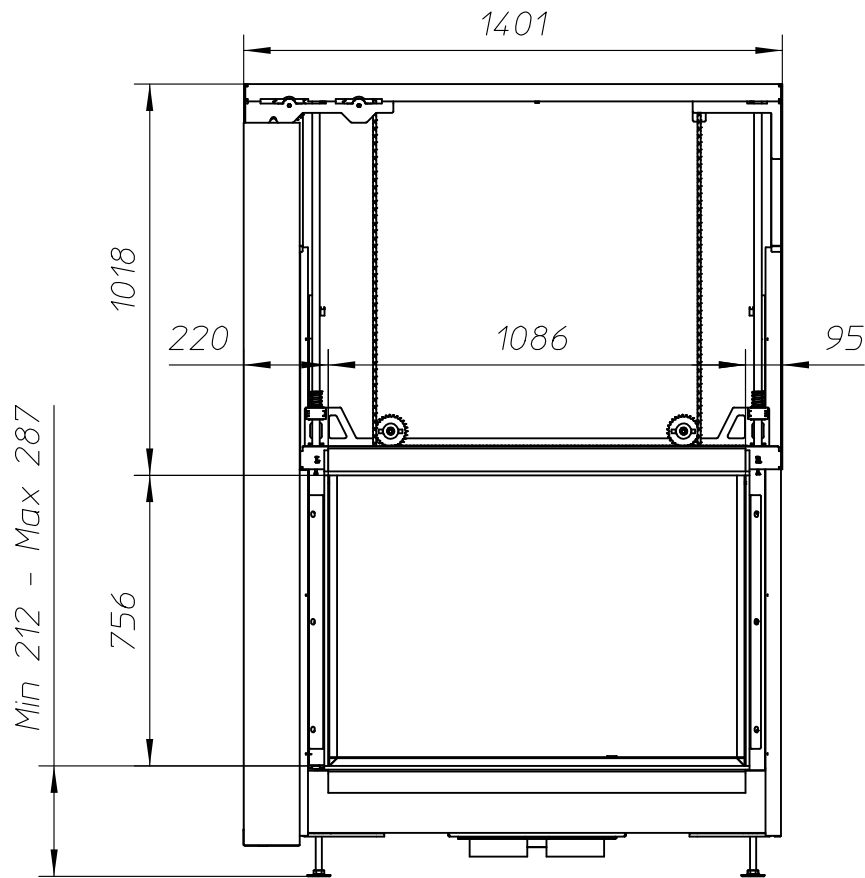
- inside finishing: heat-resistant black paint
- vermiculite insulation plates
- convection jacket in galvanized steel
- cast iron stoke grate
- back and sides: ribbed cast iron
- interior finishing: ORIGINAL (ribbed cast iron)

First aid and technical support:

- support@metalfire.eu
- +32 (0)9 261 50 57

scale 1:20	Rev. A
www.metalfire.eu	EN 13229
General dimensional tolerances up to 6mm Metalfire preserves the right to modify specifications without previous notice	Sheet 4/5

WITH FIRESCREEN AND FINISHING FRAME 90/10



ULTIME D Patented

metalfire

Technical Document

Model: ULTIME D MF 1050-75 WHE 1S

**Dimensions (mm)**

- combustion opening WxH: 1086x756
- external WxDxH: 1401x749x2061
- fresh air: 2x $\phi$ 150
- diameter flue:  $\phi$ 300

**Technical Data**

- capacity: 27kW
- efficiency capacity: 77.6%
- CO (volume with 13%O<sub>2</sub>): 0.1%
- dust (volume with 13%O<sub>2</sub>): 26mg/N<sup>3</sup>
- weight: 495kg
- Air intake to convection: minimum 720cm<sup>2</sup>(4x $\phi$ 150)
- Air exhaust to convection: minimum 720cm<sup>2</sup>(4x $\phi$ 150)

**Specifications**

- inside finishing: heat-resistant black paint
- vermiculite insulation plates
- convection jacket in galvanized steel
- cast iron stoke grate
- back and sides: ribbed cast iron
- interior finishing: ORIGINAL (ribbed cast iron)

First aid and technical support:

- [support@metalfire.eu](mailto:support@metalfire.eu)
- +32 (0)9 261 50 57

scale 1:20

Rev.  
A

[www.metalfire.eu](http://www.metalfire.eu) EN 13229

CE

General dimensional tolerances up to 6mm  
Metalfire preserves the right to modify specifications without previous notice

Sheet  
5/5