

Model: ULTIME D MF 600-50 WHE 1S

Dimensions (mm)

- combustion opening WxH: 636x506
- external WxDxH: 860x619x1561
- fresh air: 2x ϕ 150
- diameter flue: ϕ 250

Technical Data

- capacity: 13.8kW
- efficiency capacity: 80.3%
- CO (volume with 13%O₂): 0.09%
- dust (volume with 13%O₂): 33mg/N³
- weight: 345kg
- Air intake to convection: minimum 360cm² (2x ϕ 150)
- Air exhaust to convection: minimum 360cm² (2x ϕ 150)

Specifications

- inside finishing: heat-resistant black paint
- vermiculite insulation plates
- convection jacket in galvanized steel
- cast iron stoke grate
- back and sides: ribbed cast iron
- interior finishing: ORIGINAL (ribbed cast iron)

Options

- Promat insulation kit
- Finishing frame

Table: prescribed insulation thickness (mm)

	Combustable finishing material				
	A	B	C	D	E
Test report (TC = 0,14 W/mK)	63	NC	120	113	40
Metalfire recommended Promasil 1100L (TC = 0,081 W/mK)	40	NC	70	65	25
Non-combustable finishing material					
non-combustable materials (structural building items EXCLUDED e.g. load bearing walls)	0	0	0	0	0
<small>TC = thermal conductivity NC = non-combustable</small>					

First aid and technical support:

- support@metalfire.eu
- +32 (0)9 261 50 57

scale 1:20

www.metalfire.eu

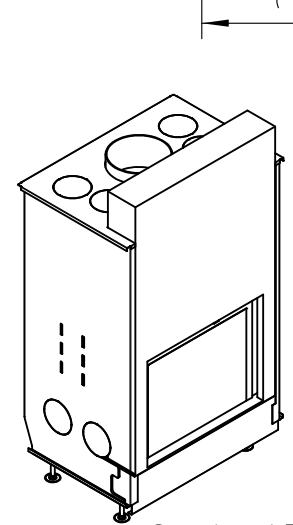
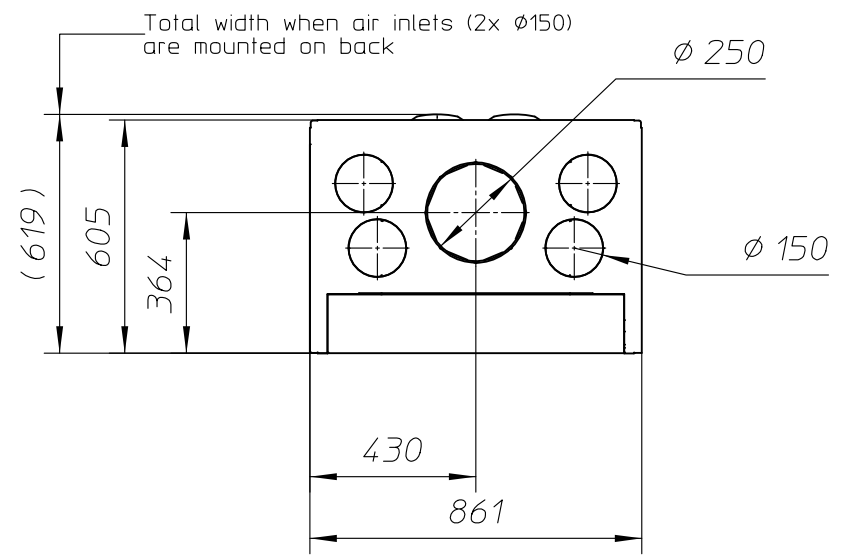
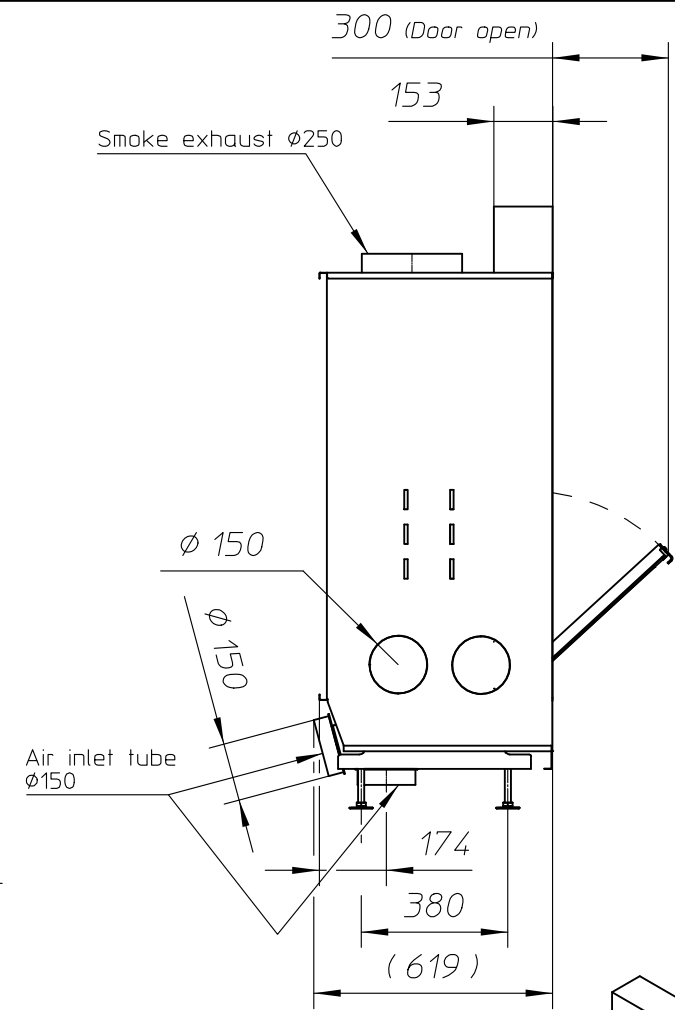
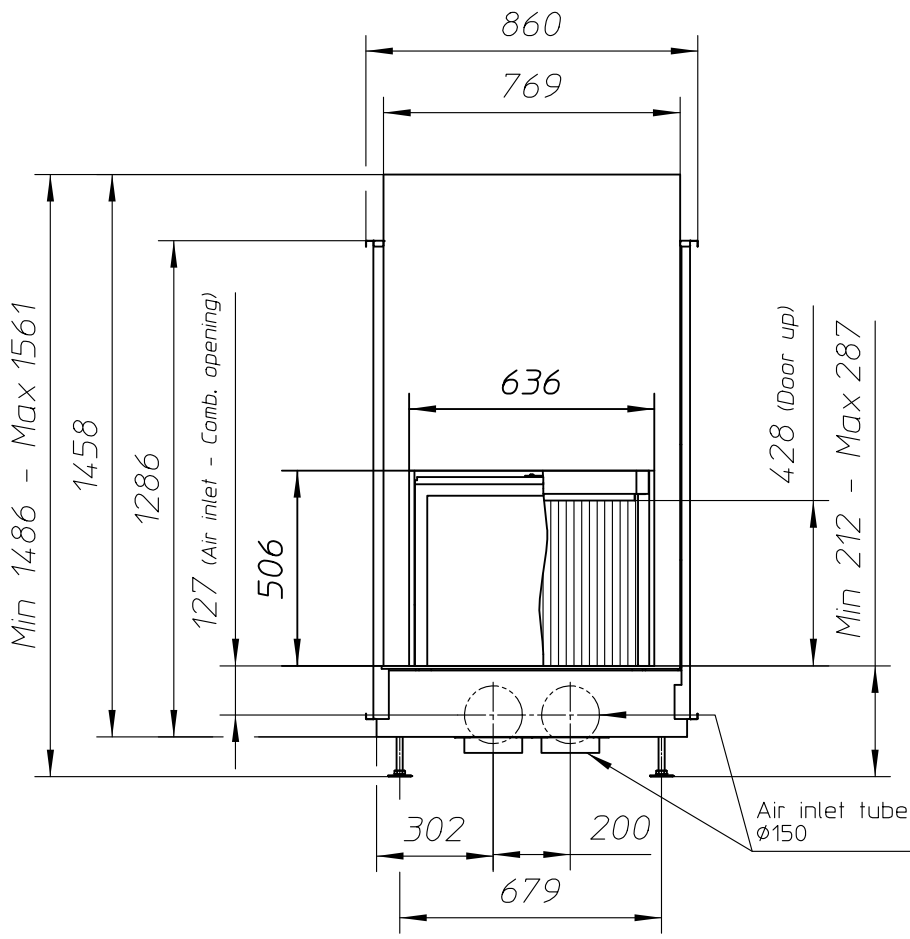
EN 13229

General dimensional tolerances up to 6mm
Metalfire preserves the right to modify specifications without previous notice

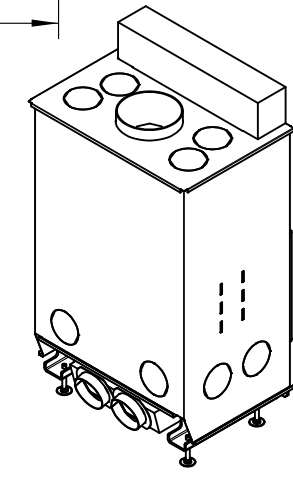
Rev.
A

CE

Sheet
1/5

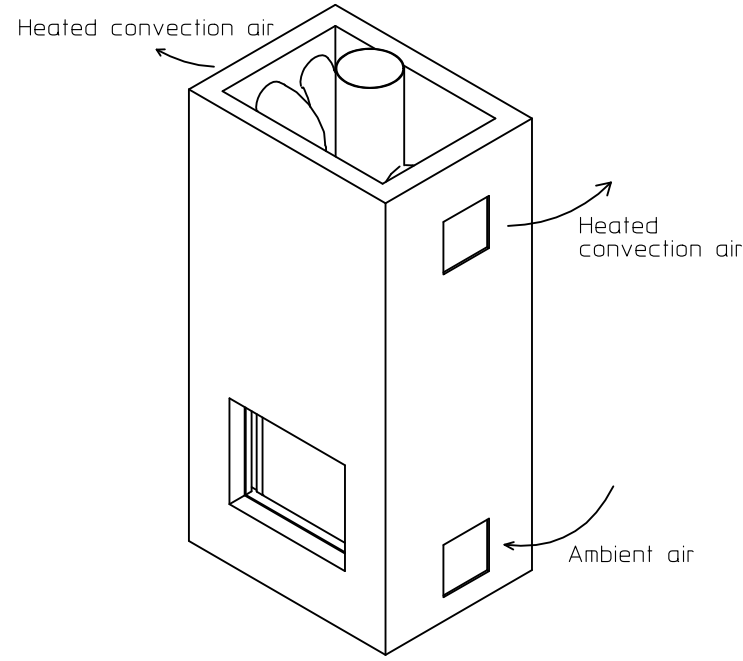
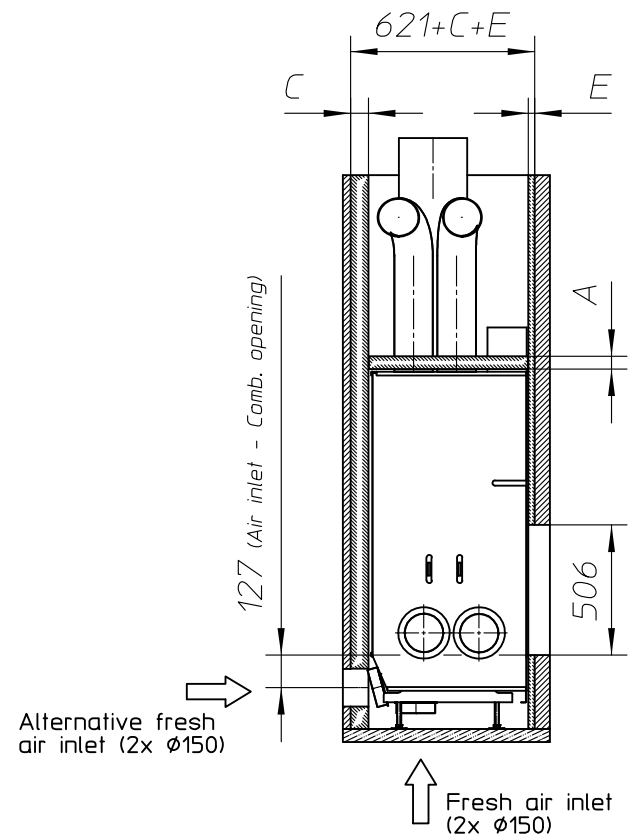
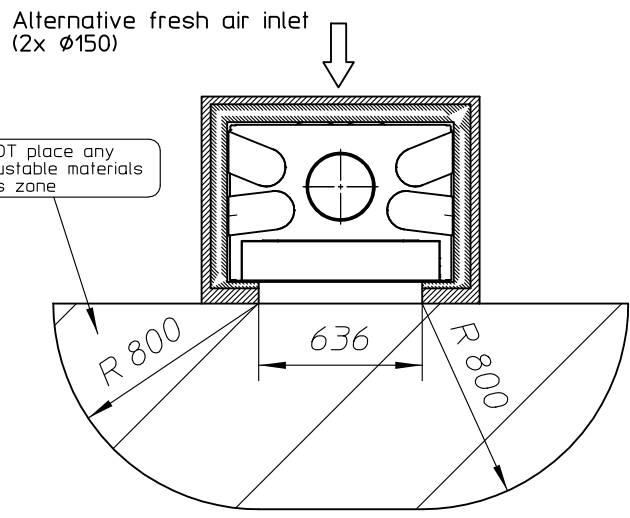
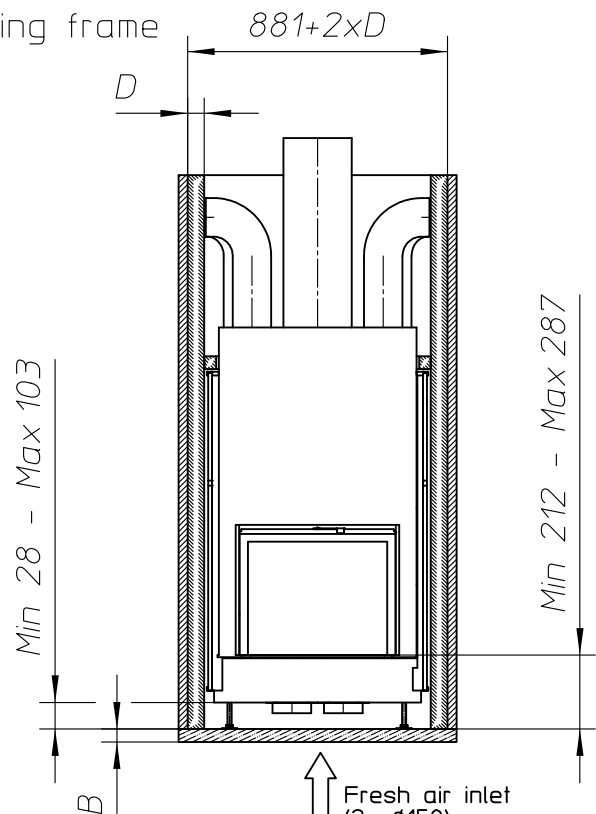


Scale 1:30



Scale 1:30

Without finishing frame



ULTIME D Patented

metalfire

Technical Document

Model: ULTIME D MF 600-50 WHE 1S

- Dimensions (mm)**
- combustion opening WxH: 636x506
 - external WxDxH: 860x619x1561
 - fresh air: 2xØ150
 - diameter flue: Ø250

- Technical Data**
- capacity: 13.8kW
 - efficiency capacity: 80.3%
 - CO (volume with 13%O₂): 0.09%
 - dust (volume with 13%O₂): 33mg/N³
 - weight: 345kg
 - Air intake to convection: minimum 360cm² (4xØ150)
 - Air exhaust to convection: minimum 360cm² (4xØ150)

- Specifications**
- inside finishing: heat-resistant black paint
 - vermiculite insulation plates
 - convection jacket in galvanized steel
 - cast iron stoke grate
 - back and sides: ribbed cast iron
 - interior finishing: ORIGINAL (ribbed cast iron)

- Options**
- Promat insulation kit
 - Finishing frame

Table: prescribed insulation thickness (mm)

	Combustable finishing material				
	A	B	C	D	E
Test report (TC = 0,14 W/mK)	63	NC	120	113	40
Metalfire recommended Promasil 1100L (TC = 0,081 W/mK)	40	NC	70	65	25
Non-combustable finishing material					
non-combustable materials (structural building items EXCLUDED e.g. load bearing walls)	0	0	0	0	0
TC = thermal conductivity NC = non-combustable					

First aid and technical support:

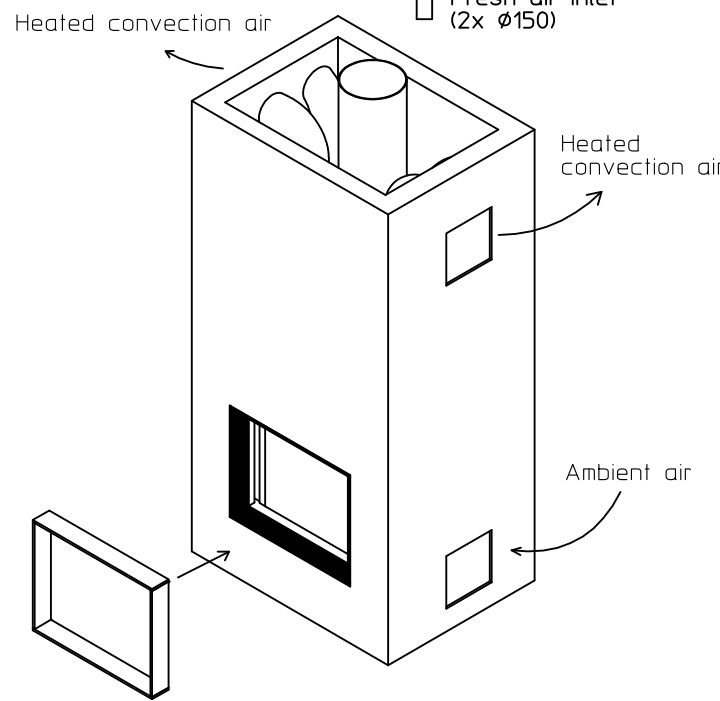
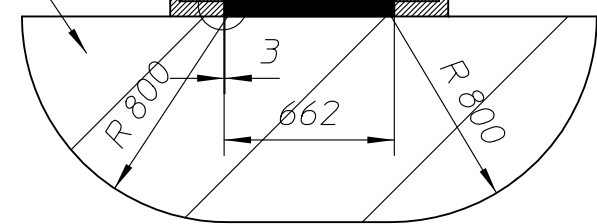
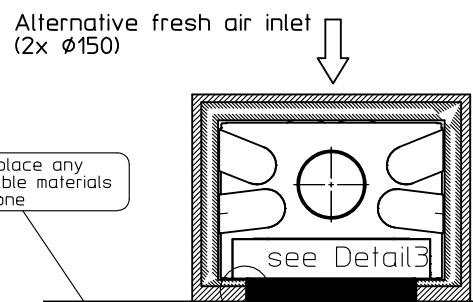
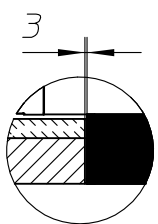
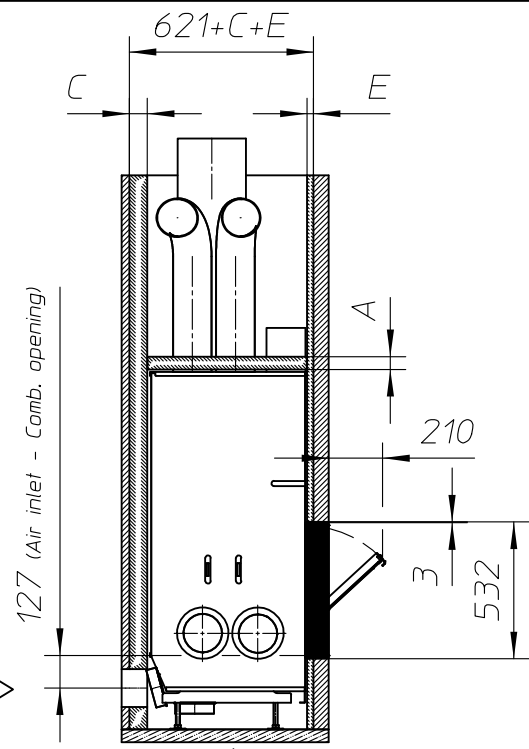
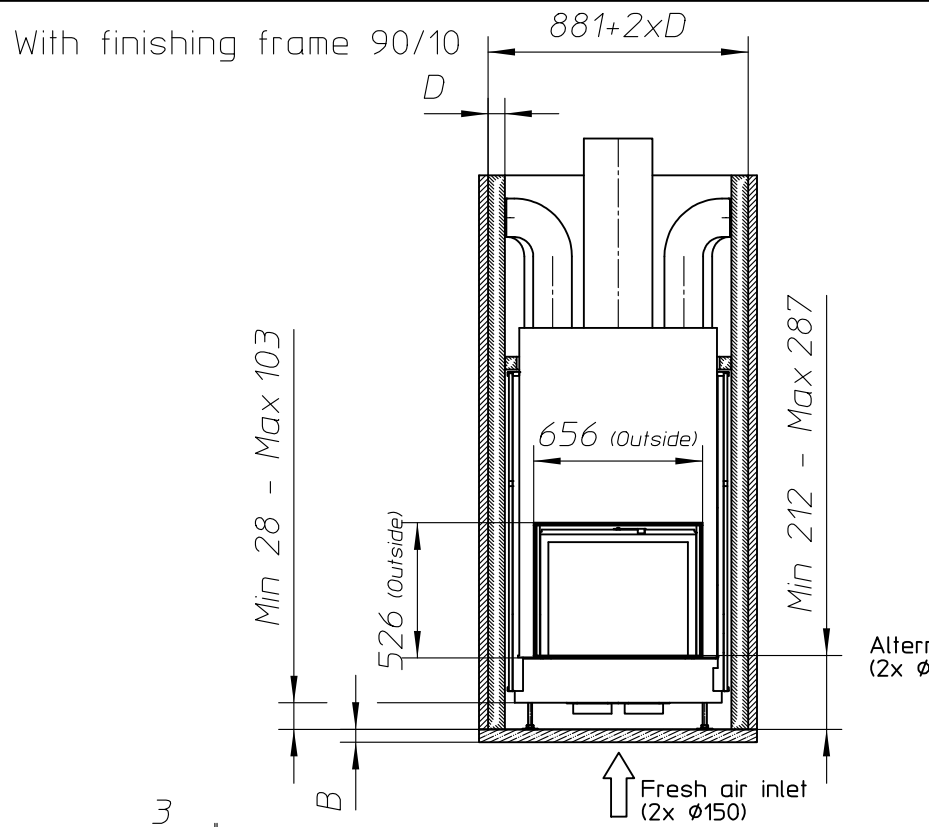
- support@metalfire.eu
- +32 (0)9 261 50 57

scale 1:30 Rev. A

www.metalfire.eu EN 13229 CE

General dimensional tolerances up to 6mm Sheet 2/5

Combustable finishing material
 Non-combustable finishing material
 Insulation
 Insulation thickness => see table



ULTIME D Patented

metalfire

Technical Document

Model: ULTIME D MF 600-50 WHE 1S

- Dimensions (mm)**
- combustion opening WxH: 636x506
 - external WxDxH: 860x619x1531
 - fresh air: 2xØ150
 - diameter flue: Ø250

- Technical Data**
- capacity: 13.8kW
 - efficiency capacity: 80.3%
 - CO (volume with 13%O₂): 0.09%
 - dust (volume with 13%O₂): 33mg/N³
 - weight: 345kg
 - Air intake to convection: minimum 360cm² (2xØ150)
 - Air exhaust to convection: minimum 360cm² (2xØ150)

- Specifications**
- inside finishing: heat-resistant black paint
 - vermiculite insulation plates
 - convection jacket in galvanized steel
 - cast iron stoke grate
 - back and sides: ribbed cast iron
 - interior finishing: ORIGINAL (ribbed cast iron)

- Options**
- Promat insulation kit
 - Finishing frame

Table: prescribed insulation thickness (mm)

	Combustable finishing material				
	A	B	C	D	E
Test report (TC = 0,14 W/mK)	63	NC	120	113	40
Metalfire recommended Promasil 1100L (TC = 0,081 W/mK)	40	NC	70	65	25
Non-combustable finishing material					
non-combustable materials (structural building items EXCLUDED e.g. load bearing walls)	0	0	0	0	0
TC = thermal conductivity NC = non-combustable					

First aid and technical support:

- support@metalfire.eu
- +32 (0)9 261 50 57

Combustable finishing material
 Non-combustable finishing material
 Insulation
 Insulation thickness => see table

WITH FIRESCREEN - NO FINISHING FRAME

ULTIME D Patented

metalfire

Technical Document

Model: ULTIME D MF 600-50 WHE 1S

Dimensions (mm)

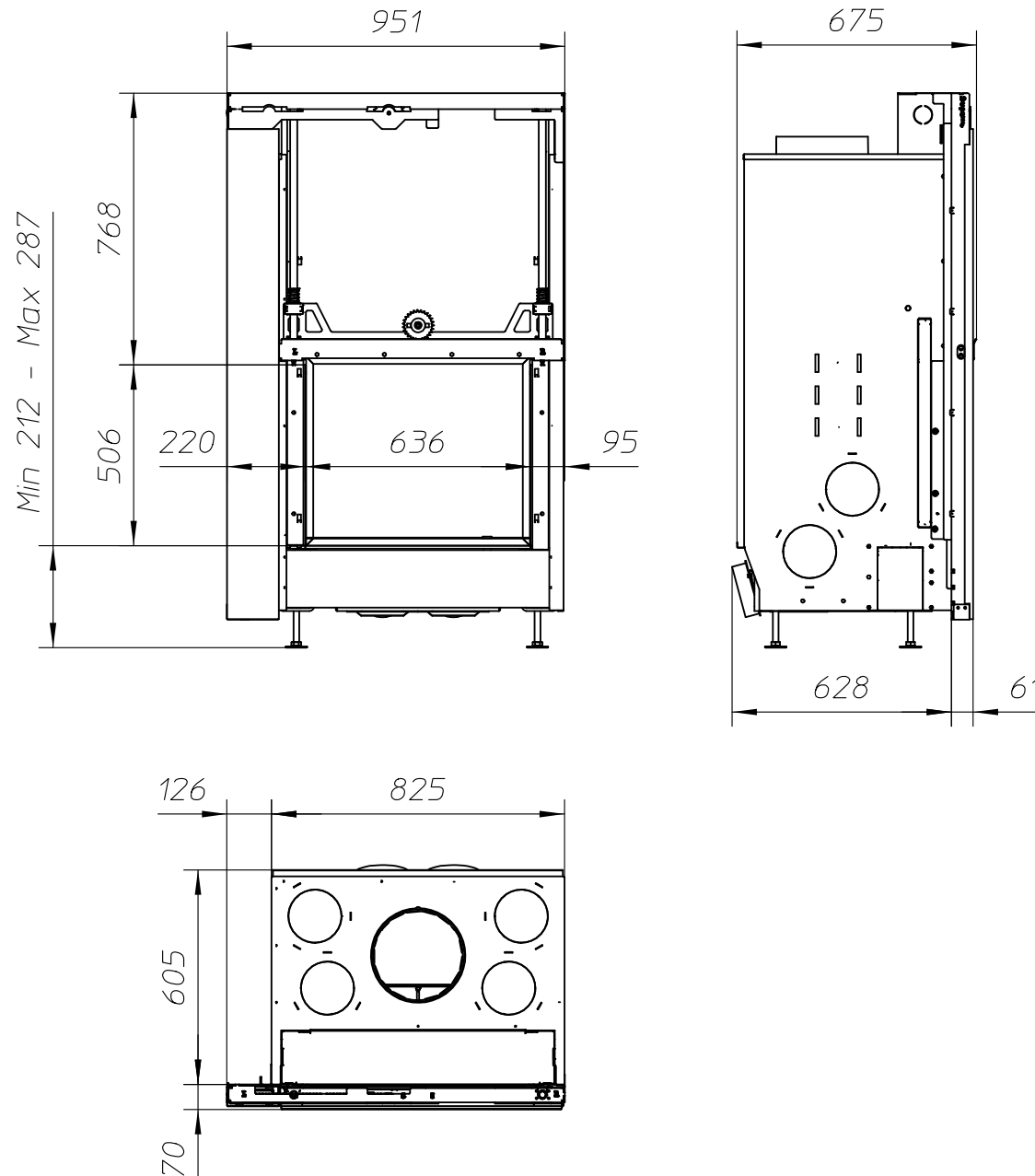
- combustion opening WxH: 636x506
- external WxDxH: 951x675x1561
- fresh air: 2x ϕ 150
- diameter flue: ϕ 250

Technical Data

- capacity: 13.8kW
- efficiency capacity: 80.3%
- CO (volume with 13%O₂): 0.09%
- dust (volume with 13%O₂): 33mg/N³
- weight: 345kg
- Air intake to convection: minimum 360cm² (2x ϕ 150)
- Air exhaust to convection: minimum 360cm² (2x ϕ 150)

Specifications

- inside finishing: heat-resistant black paint
- vermiculite insulation plates
- convection jacket in galvanized steel
- cast iron stoke grate
- back and sides: ribbed cast iron
- interior finishing: ORIGINAL (ribbed cast iron)



First aid and technical support:

- support@metalfire.eu
- +32 (0)9 261 50 57

scale 1:20	Rev. A
www.metalfire.eu EN 13229	CE
General dimensional tolerances up to 6mm Metalfire preserves the right to modify specifications without previous notice	Sheet 4/5

WITH FIRESCREEN AND FINISHING FRAME 90/10

ULTIME D Patented

metalfire

Technical Document

Model: ULTIME D MF 600-50 WHE 1S

Dimensions (mm)

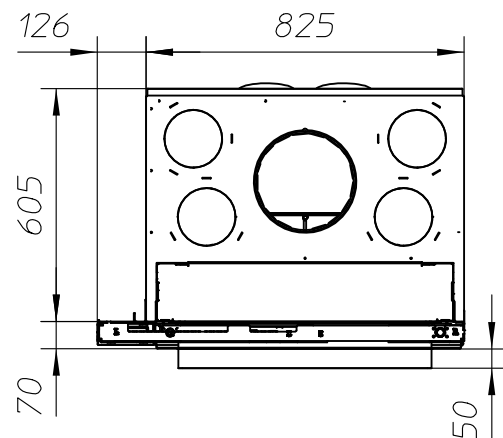
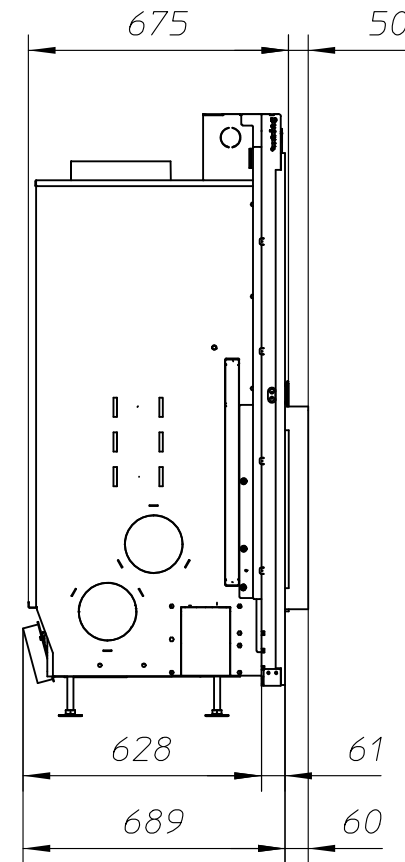
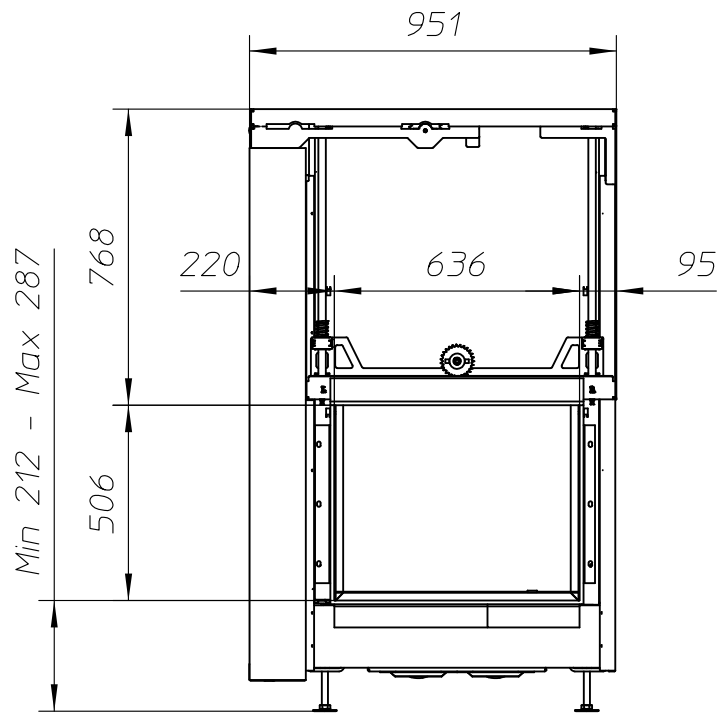
- combustion opening WxH: 636x506
- external WxDxH: 951x749x1561
- fresh air: 2xø150
- diameter flue: ø250

Technical Data

- capacity: 13.8kW
- efficiency capacity: 80.3%
- CO (volume with 13%O₂): 0.09%
- dust (volume with 13%O₂): 33mg/N³
- weight: 345kg
- Air intake to convection: minimum 360cm² (2xø150)
- Air exhaust to convection: minimum 360cm² (2xø150)

Specifications

- inside finishing: heat-resistant black paint
- vermiculite insulation plates
- convection jacket in galvanized steel
- cast iron stoke grate
- back and sides: ribbed cast iron
- interior finishing: ORIGINAL (ribbed cast iron)



First aid and technical support:

- support@metalfire.eu
- +32 (0)9 261 50 57

scale 1:20	Rev. A
www.metalfire.eu EN 13229	CE
General dimensional tolerances up to 6mm Metalfire preserves the right to modify specifications without previous notice	Sheet 5/5