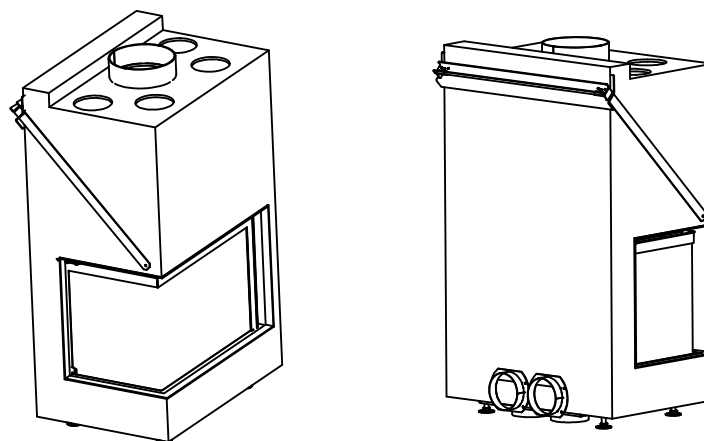
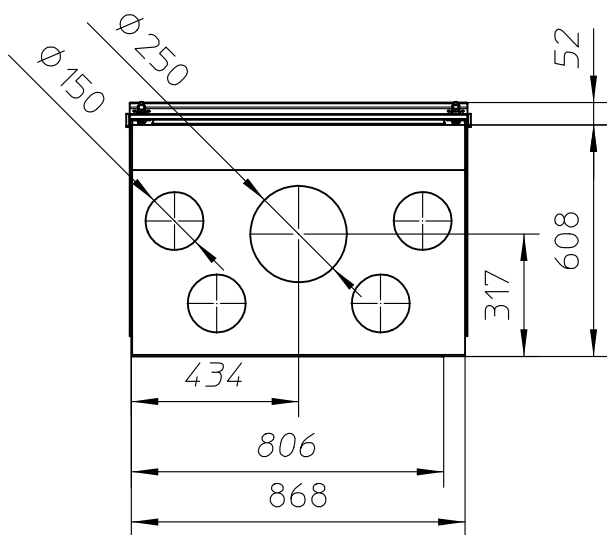


Standard configuration of these fireplaces is with the 4 mm frame



ULTIME D Patented

metalfire

Technical Document

Model: ULTIME D MF 800-50 WHE 2SL

**Dimensions (mm)**

- combustion opening WxH: 806x461x504
- external WxDxH: 868x608x1443
- fresh air: 2x $\phi 150$
- diameter flue:  $\phi 250$

**Technical Data**

- ECOLABEL: A+
- capacity: 16.0kW
- efficiency capacity: 82%
- CO (volume with 13%O<sub>2</sub>): 0.087%
- dust (volume with 13%O<sub>2</sub>): 10mg/m<sup>3</sup>
- weight: 320kg

- convection air inlet: minimum 720cm<sup>2</sup> (4x $\phi 150$ )
- convection air outlet: minimum 720cm<sup>2</sup> (4x $\phi 150$ )

**Specifications**

- inside finishing: heat-resistant black paint
- black vermiculite insulation plates
- convection jacket in galvanized steel
- back and side: ribbed cast iron
- interior finishing: ORIGINAL (ribbed cast iron)



**Options**

- Finishing frame

Table: prescribed insulation thickness (mm)

Combustable finishing material					
	A	B	C	D	E
Test report (TC = 0,14 W/mK)	25	NC	25	25	25

Non-combustable finishing material					
non-combustable materials (structural building items EXCLUDED e.g. load bearing walls)	0	0	0	0	0
TC = thermal conductivity NC = non-combustable					

First aid and technical support:

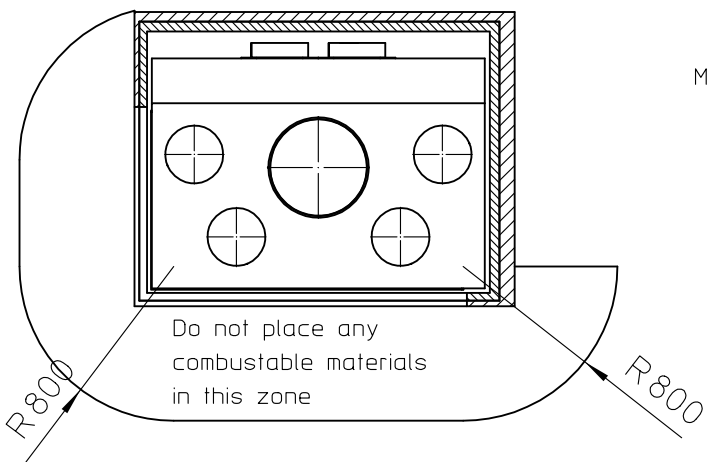
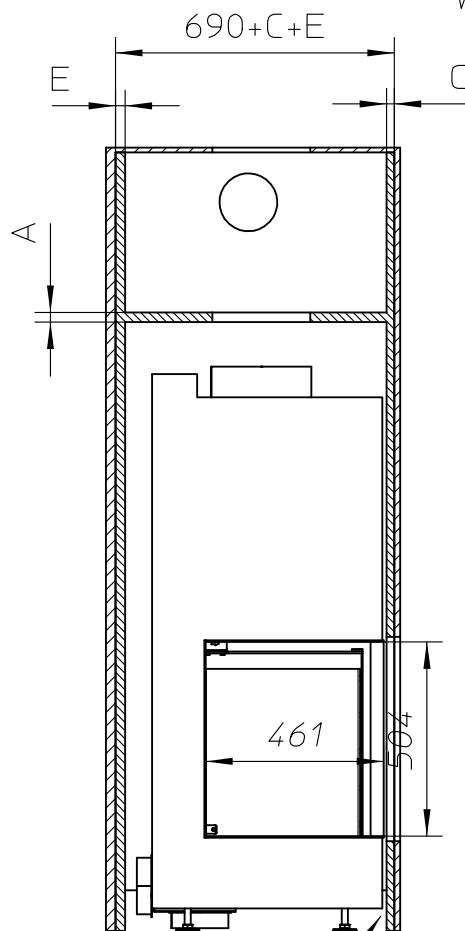
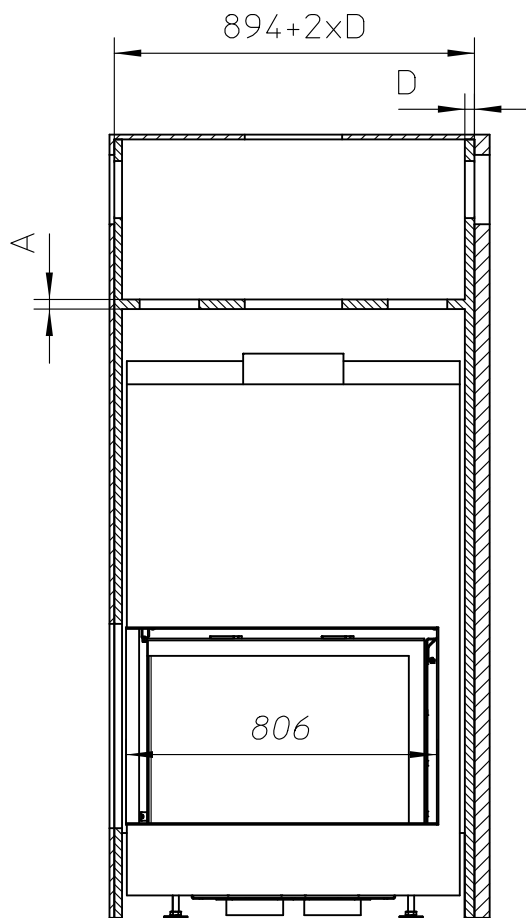
- support@metalfire.eu
- +32 (0)9 261 50 57

scale 1:20 Rev.

www.metalfire.eu EN 13229 CE

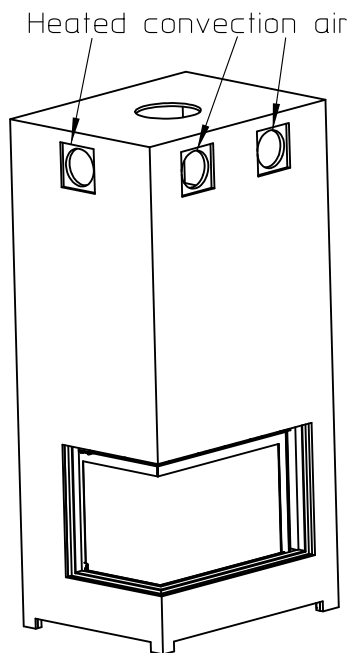
General dimensional tolerances up to 6mm Sheet 1/3

WITHOUT FINISHING FRAME



Min 13mm between fireplace and insulation

Combustible finishing material  
 Insulation



ULTIME D Patented

metalfire

Technical Document

Model: ULTIME D MF 800-50 WHE 2SL

**Dimensions (mm)**

- combustion opening WxH: 806x461x504
- external WxDxH: 868x608x1443
- fresh air: 2xØ150
- diameter flue: Ø250

**Technical Data**

- ECOLABEL: A+
- capacity: 16.0kW
- efficiency capacity: 82%
- CO (volume with 13%O2): 0.087%
- dust (volume with 13%O2): 10mg/m<sup>3</sup>
- weight: 320kg
- convection air inlet: minimum 720cm<sup>2</sup> (4xØ150)
- convection air outlet: minimum 720cm<sup>2</sup> (4xØ150)

**Specifications**

- inside finishing: heat-resistant black paint
- black vermiculite insulation plates
- convection jacket in galvanized steel
- back and side: ribbed cast iron
- interior finishing: ORIGINAL (ribbed cast iron)



**Options**

- Finishing frame

Table: prescribed insulation thickness (mm)

Combustible finishing material					
	A	B	C	D	E
Test report (TC = 0,14 W/mK)	25	NC	25	25	25
Non-combustible finishing material					
non-combustible materials (structural building items EXCLUDED e.g. load bearing walls)	0	0	0	0	0
<small>TC = thermal conductivity      NC = non-combustible</small>					

**First aid and technical support:**

- [support@metalfire.eu](mailto:support@metalfire.eu)
- +32 (0)9 261 50 57

scale 1:20 Rev.

[www.metalfire.eu](http://www.metalfire.eu) EN 13229 CE

General dimensional tolerances up to 6mm Sheet  
 Metalfire preserves the right to modify specifications without previous notice 2/3

Model: ULTIME D MF 800-50 WHE 2SL

#### Dimensions (mm)

- combustion opening WxH: 806x461x504
- external WxDxH: 868x608x1443
- fresh air: 2x $\phi$ 150
- diameter flue:  $\phi$ 250

#### Technical Data

- ECOLABEL: A+
- capacity: 16.0kW
- efficiency capacity: 82%
- CO (volume with 13%O<sub>2</sub>): 0.087%
- dust (volume with 13%O<sub>2</sub>): 10mg/m<sup>3</sup>
- weight: 320kg
- convection air inlet: minimum 720cm<sup>2</sup> (4x $\phi$ 150)
- convection air outlet: minimum 720cm<sup>2</sup> (4x $\phi$ 150)

#### Specifications

- inside finishing: heat-resistant black paint
- black vermiculite insulation plates
- convection jacket in galvanized steel
- back and side: ribbed cast iron
- interior finishing: ORIGINAL (ribbed cast iron)



#### Options

- Finishing frame

#### Table: prescribed insulation thickness (mm)

Combustable finishing material					
	A	B	C	D	E
Test report (TC = 0,14 W/mK)	25	NC	25	25	25
Non-combustable finishing material					
non-combustable materials (structural building items EXCLUDED e.g. load bearing walls)	0	0	0	0	0
TC = thermal conductivity NC = non-combustable					

#### First aid and technical support:

- [support@metalfire.eu](mailto:support@metalfire.eu)
- +32 (0)9 261 50 57

scale 1:20

Rev.

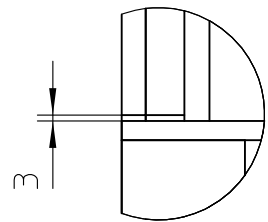
[www.metalfire.eu](http://www.metalfire.eu)

EN 13229

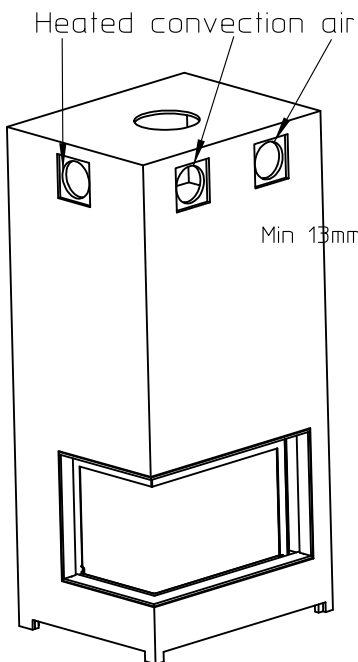
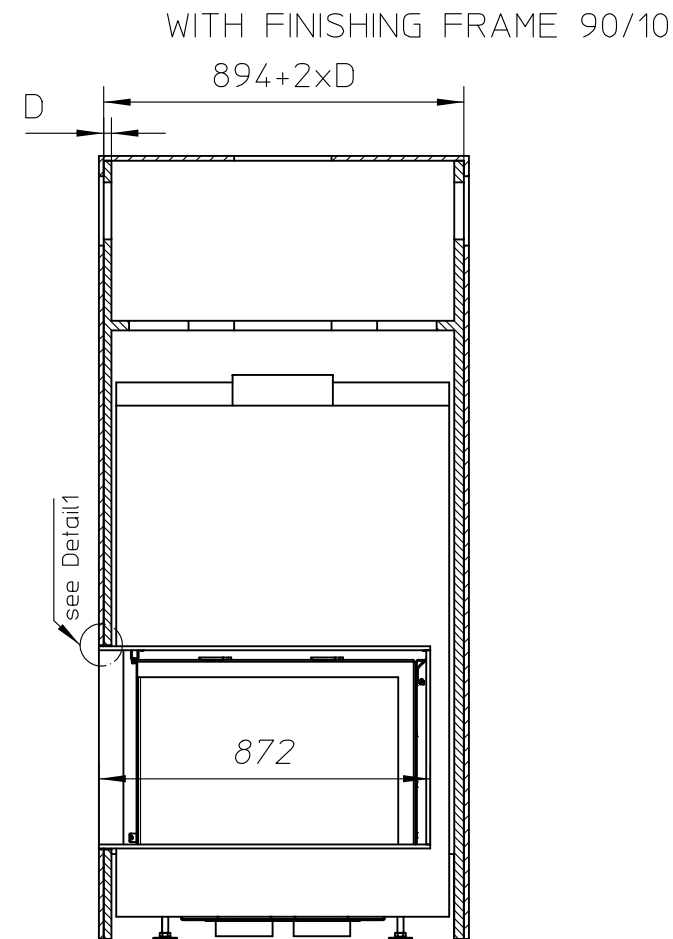
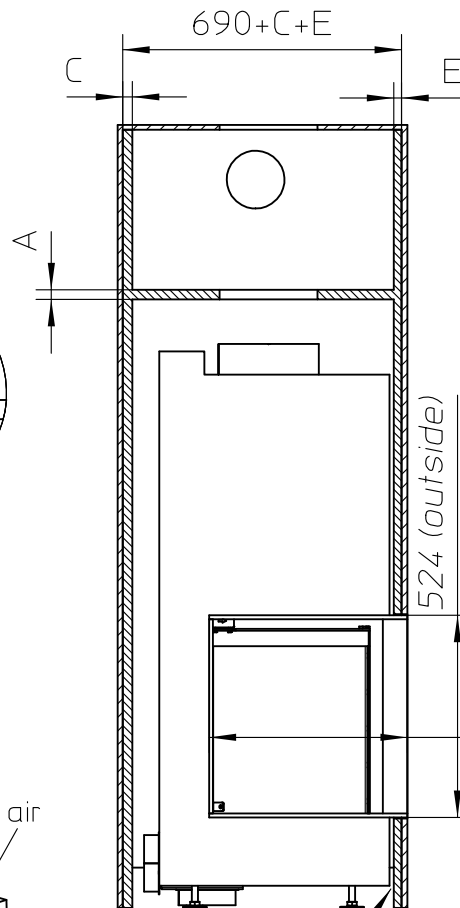
CE

General dimensional tolerances up to 6mm  
Metalfire preserves the right to modify specifications without previous notice

Sheet  
3/3



Detail1  
SCALE 1:4



- Combustable finishing material
- Insulation

