

Model: ULTIME D MF 800-50 WHE 2SR

Dimensions (mm)

- combustion opening WxH: 806x461x504
- external WxDxH: 868x608x1443
- fresh air: 2x ϕ 150
- diameter flue: ϕ 250

Technical Data

- ECOLABEL: A+
- capacity: 16.0kW
- efficiency capacity: 82%
- CO (volume with 13%O₂): 0.087%
- dust (volume with 13%O₂): 10mg/m³
- weight: 320kg
- convection air inlet: minimum 720cm² (4x ϕ 150)
- convection air outlet: minimum 720cm² (4x ϕ 150)

Specifications

- inside finishing: heat-resistant black paint
- black vermiculite insulation plates
- convection jacket in galvanized steel
- back and side: ribbed cast iron
- interior finishing: ORIGINAL (ribbed cast iron)



Options

- Finishing frame

Table: prescribed insulation thickness (mm)

Combustible finishing material					
	A	B	C	D	E
Test report (TC = 0,14 W/mK)	25	NC	25	25	25
Non-combustible finishing material					
non-combustible materials (structural building items EXCLUDED e.g. load bearing walls)	0	0	0	0	0
TC = thermal conductivity NC = non-combustible					

First aid and technical support:

- support@metalfire.eu
- +32 (0)9 261 50 57

scale 1:20

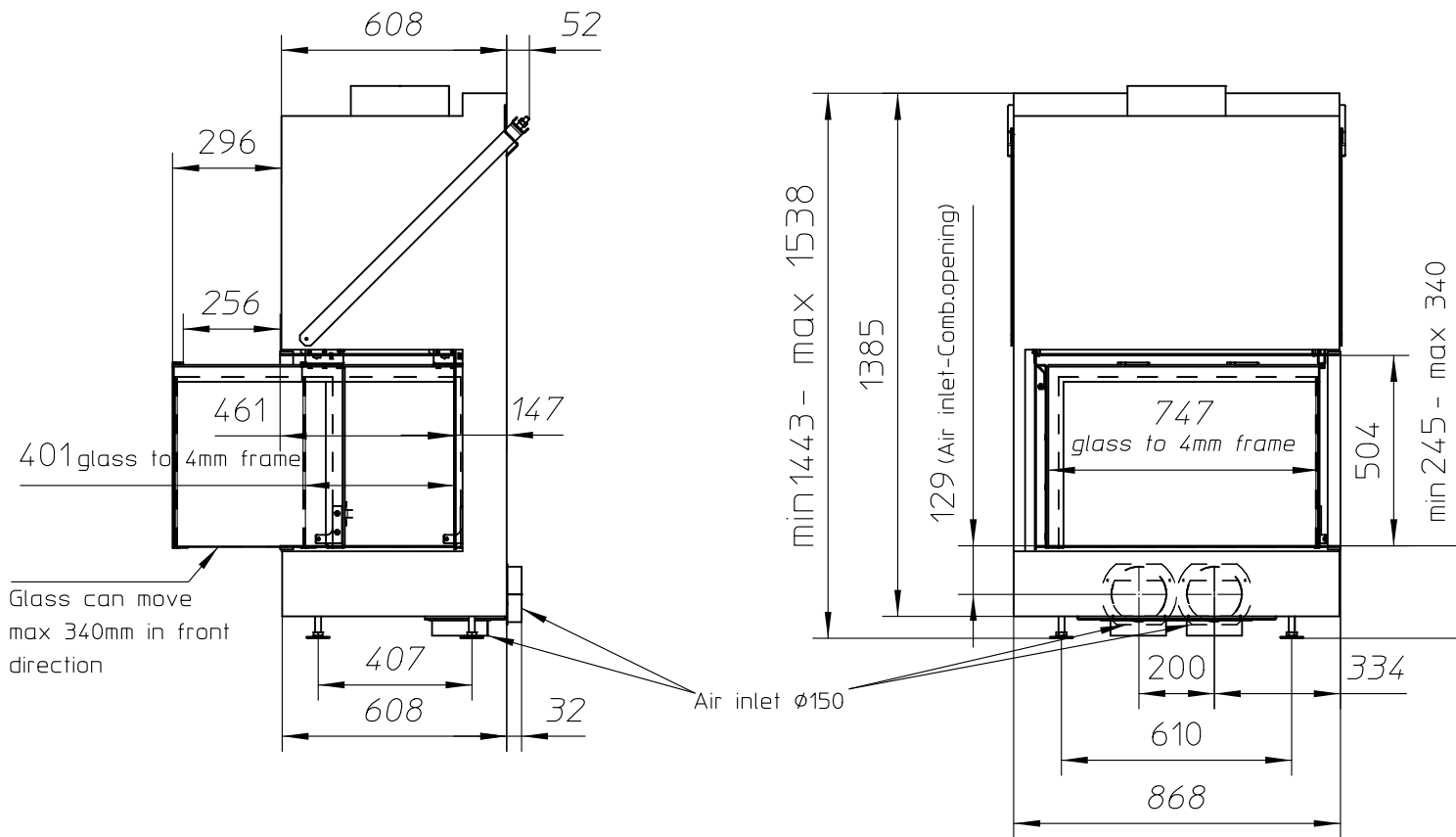
Rev.

www.metalfire.eu EN 13229

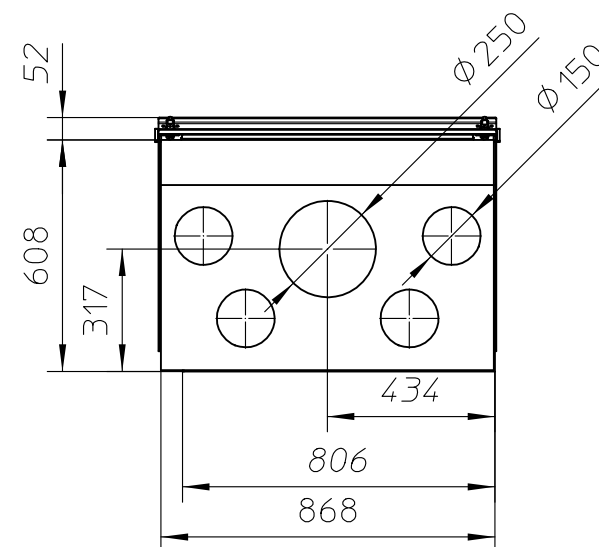
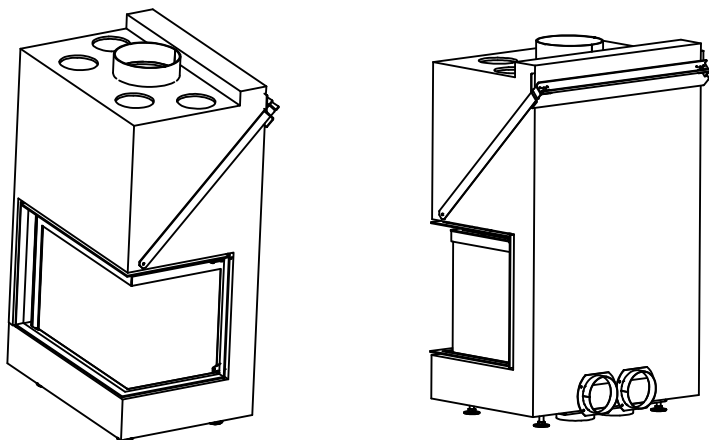
CE

General dimensional tolerances up to 6mm
Metalfire preserves the right to modify specifications without previous notice

Sheet
1/3



Standard configuration of these fireplaces is with the 4 mm frame



ULTIME D Patented

metalfire

Technical Document

Model: ULTIME D MF 800-50 WHE 2SR

Dimensions (mm)

- combustion opening WxH: 806x461x504
- external WxDxH: 868x608x1443
- fresh air: 2x ϕ 150
- diameter flue: ϕ 250

Technical Data

- ECOLABEL: A+
- capacity: 16.0kW
- efficiency capacity: 82%
- CO (volume with 13%O₂): 0.087%
- dust (volume with 13%O₂): 10mg/m³
- weight: 320kg
- convection air inlet: minimum 720cm² (4x ϕ 150)
- convection air outlet: minimum 720cm² (4x ϕ 150)

Specifications

- inside finishing: heat-resistant black paint
- black vermiculite insulation plates
- convection jacket in galvanized steel
- back and side: ribbed cast iron
- interior finishing: ORIGINAL (ribbed cast iron)



Options

- Finishing frame

Table: prescribed insulation thickness (mm)

Combustable finishing material					
	A	B	C	D	E
Test report (TC = 0,14 W/mK)	25	NC	25	25	25
Non-combustable finishing material					
non-combustable materials (structural building items EXCLUDED e.g. load bearing walls)	0	0	0	0	0
TC = thermal conductivity NC = non-combustable					

First aid and technical support:

- support@metalfire.eu
- +32 (0)9 261 50 57

scale 1:20

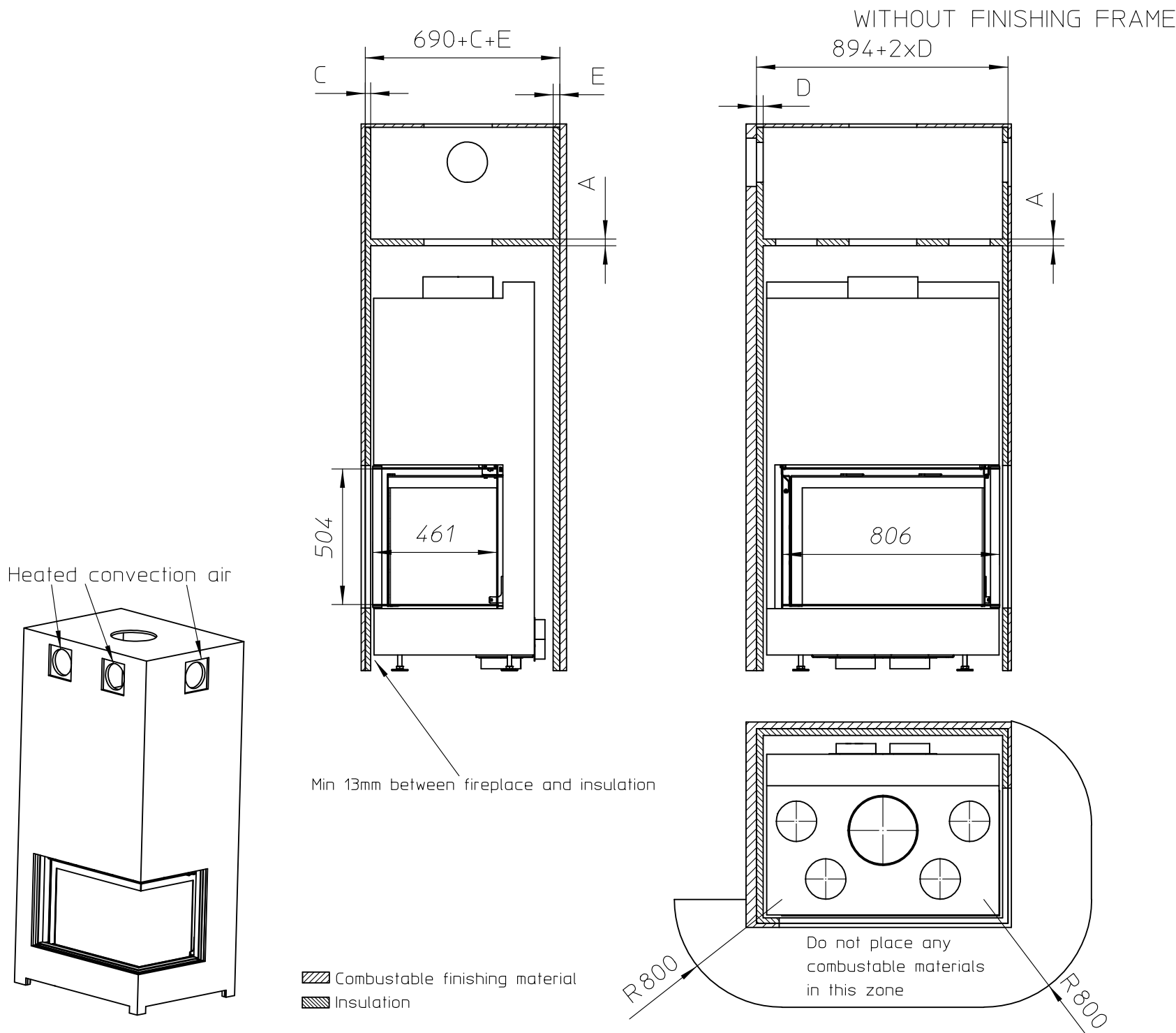
Rev.

www.metalfire.eu EN 13229

CE

General dimensional tolerances up to 6mm
Metalfire preserves the right to modify specifications without previous notice

Sheet
2/3



Model: ULTIME D MF 800-50 WHE 2SR

Dimensions (mm)

- combustion opening WxH: 806x461x504
- external WxDxH: 868x608x1443
- fresh air: 2x ϕ 150
- diameter flue: ϕ 250

Technical Data

- ECOLABEL: A+
- capacity: 16.0kW
- efficiency capacity: 82%
- CO (volume with 13%O₂): 0.087%
- dust (volume with 13%O₂): 10mg/m³
- weight: 320kg
- convection air inlet: minimum 720cm² (4x ϕ 150)
- convection air outlet: minimum 720cm² (4x ϕ 150)

Specifications

- inside finishing: heat-resistant black paint
- black vermiculite insulation plates
- convection jacket in galvanized steel
- back and side: ribbed cast iron
- interior finishing: ORIGINAL (ribbed cast iron)



Options

- Finishing frame

Table: prescribed insulation thickness (mm)

Combustable finishing material					
	A	B	C	D	E
Test report (TC = 0,14 W/mK)	25	NC	25	25	25
Non-combustable finishing material					
non-combustable materials (structural building items EXCLUDED e.g. load bearing walls)	0	0	0	0	0
<small>TC = thermal conductivity NC = non-combustable</small>					

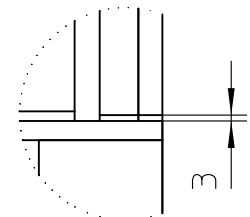
First aid and technical support:

- support@metalfire.eu
- +32 (0)9 261 50 57

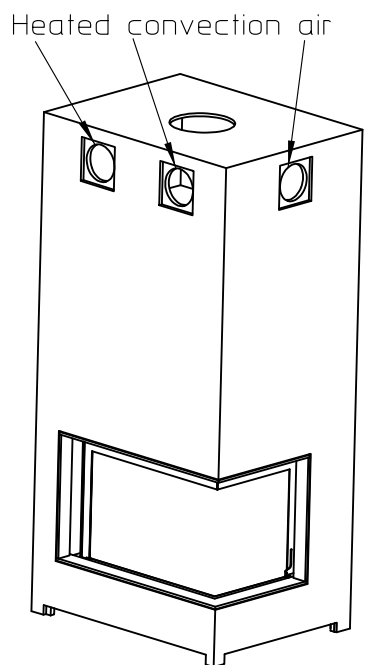
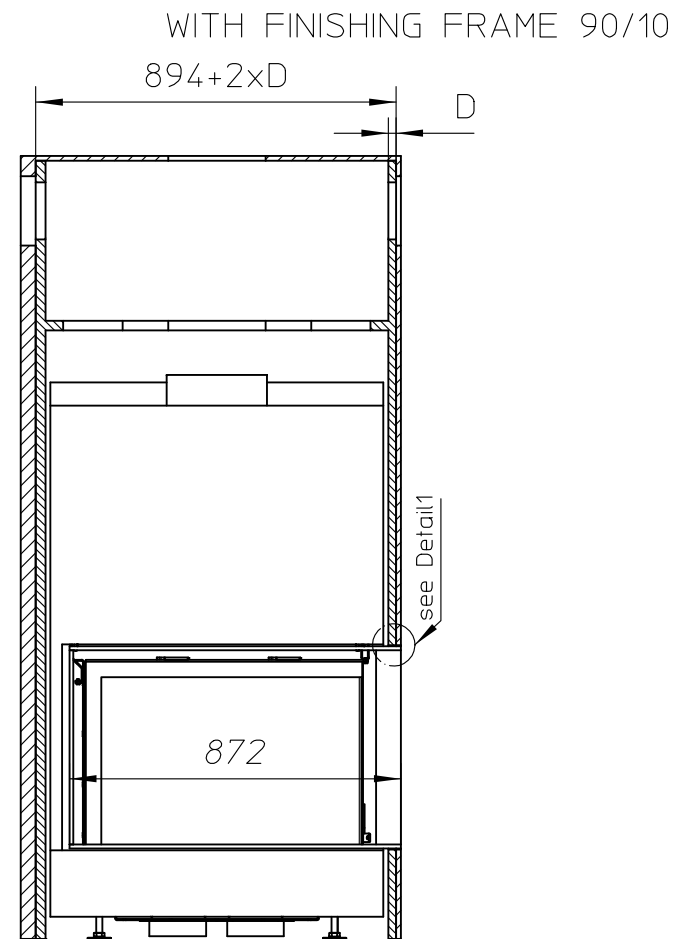
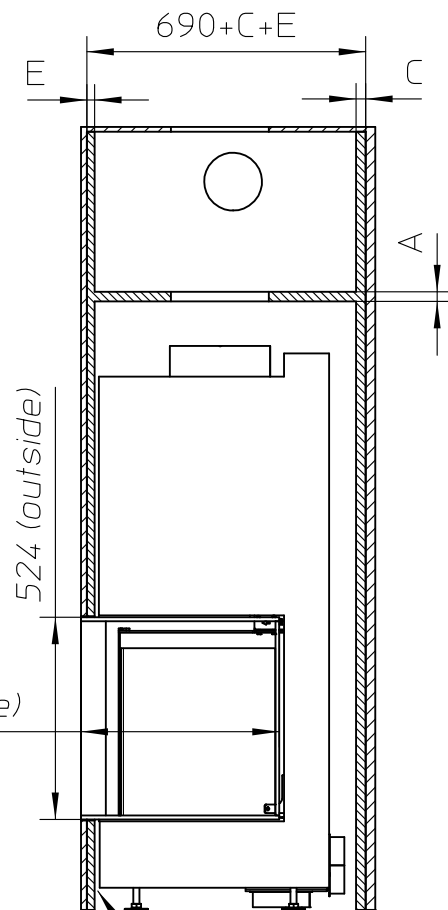
scale 1:20 Rev.

www.metalfire.eu EN 13229 CE

General dimensional tolerances up to 6mm Sheet
Metalfire preserves the right to modify specifications without previous notice 3/3



Detail1
SCALE 1:4



Min 13mm between fireplace and insulation

- Combustable finishing material
- Insulation

