

## Technical Document

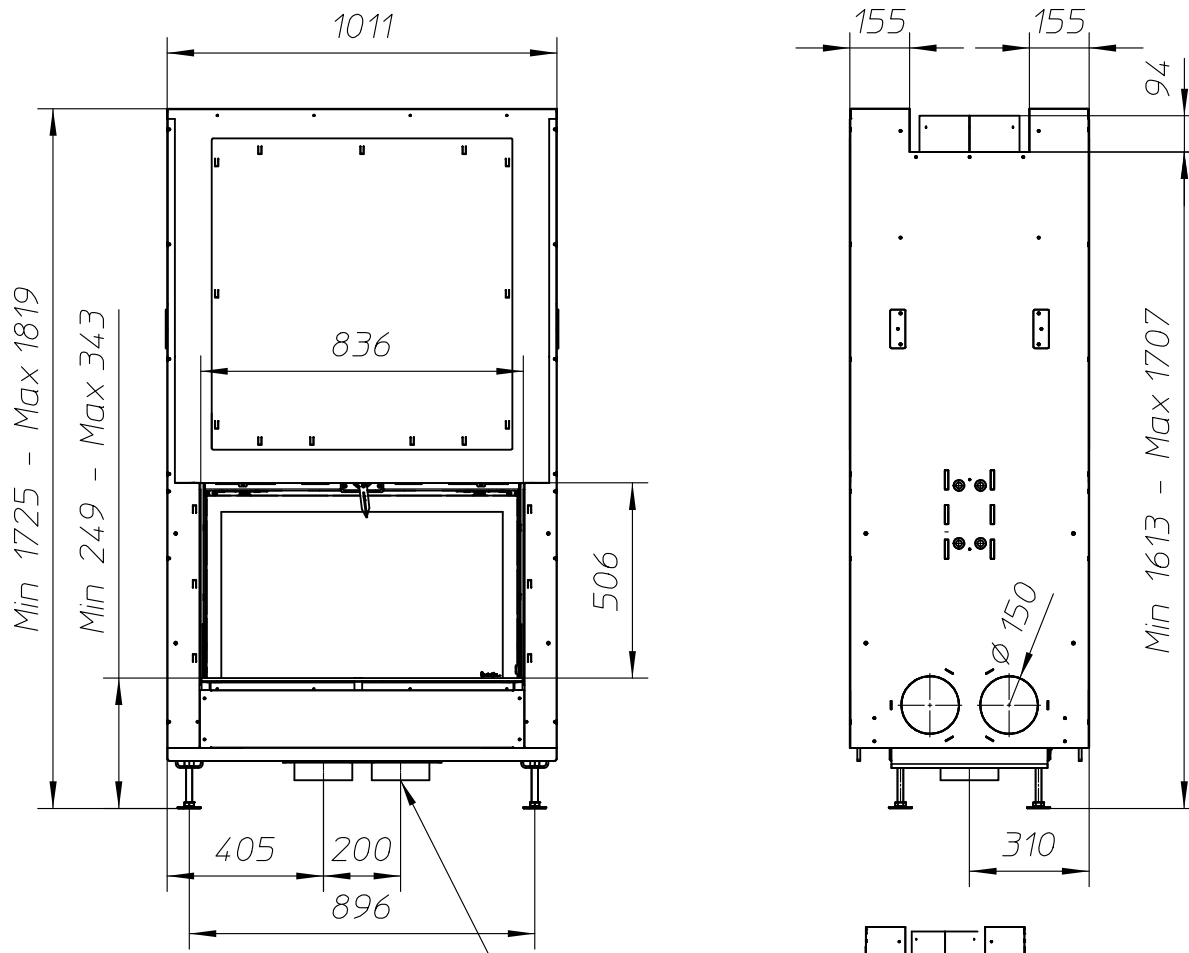
ULTIME D MF 800-50 WHE T

### Dimensions (mm)

- combustion opening WxH: 836 x 506
- external WxDxH: 1011 x 620 x 1819
- fresh air intake: 2 x Ø150
- flue gas outlet: Ø250

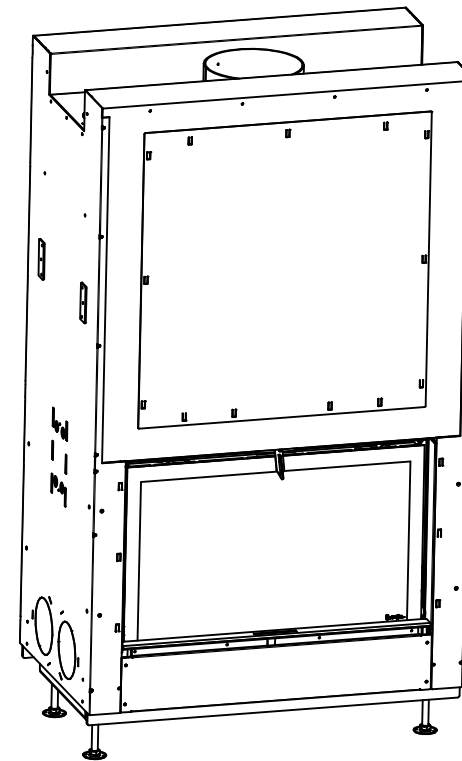
### Technical Data

- ecolabel: A+
- capacity: 18.2kW
- efficiency: 82.3%
- CO (volume with 13%O<sub>2</sub>): 0.08%
- dust (volume with 13%O<sub>2</sub>): 26mg/Nm<sup>3</sup>
- weight: 350kg
- convection air inlet: min.700cm<sup>2</sup> (4 x Ø150)
- convection air outlet: min.700cm<sup>2</sup> (4 x Ø150)



Fresh air inlet (2x Ø150)

Scale 1:30



First aid and technical support:

- [support@metalfire.eu](mailto:support@metalfire.eu)
- +32 9 261 51 90

scale 1:20

[www.metalfire.eu](http://www.metalfire.eu)

EN 13229

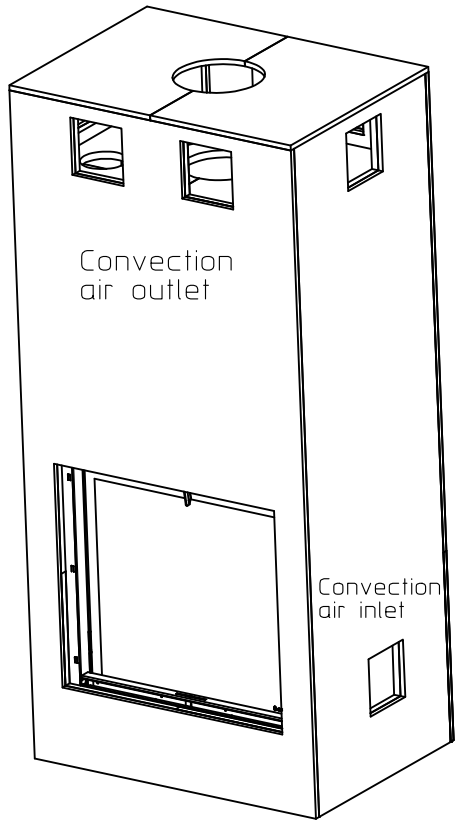
General dimensional tolerances up to 6mm  
Metalfire preserves the right to modify specifications without previous notice

Rev.  
A

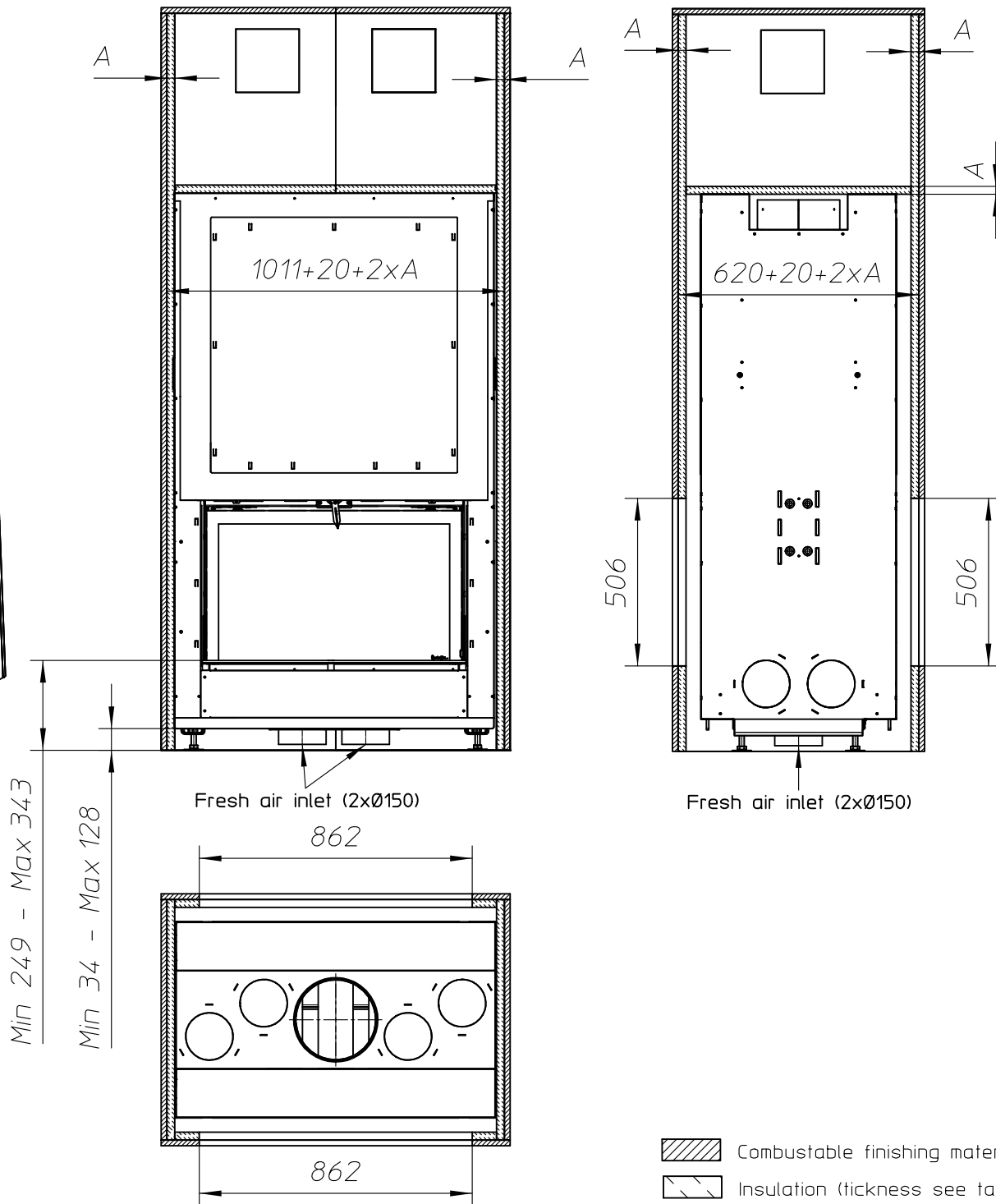
CE

Sheet  
1/5

Without finishing frame



Scale 1:25




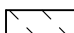
Min 249 - Max 343

Min 34 - Max 128

Fresh air inlet (2xØ150)

862

862

-  Combustable finishing material
-  Insulation (thickness see table)

ULTIME D Patented

*Metalfire*

Technical Document

ULTIME D MF 800-50 WHE T

Prescribed insulation thickness (mm)

Combustable finishing material

Metalfire recommended  
SILCA T 300  
(TC = 0,09 W/mK)

A = 25mm

Non-combustable finishing material

non-combustable  
materials  
structural building items  
EXCLUDED e.g. load bearing walls

A = 0mm

TC = thermal conductivity

NC = non-combustable

First aid and technical support:

- support@metalfire.eu

- +32 9 261 51 90

scale 1:20

Rev.  
A

www.metalfire.eu

EN 13229

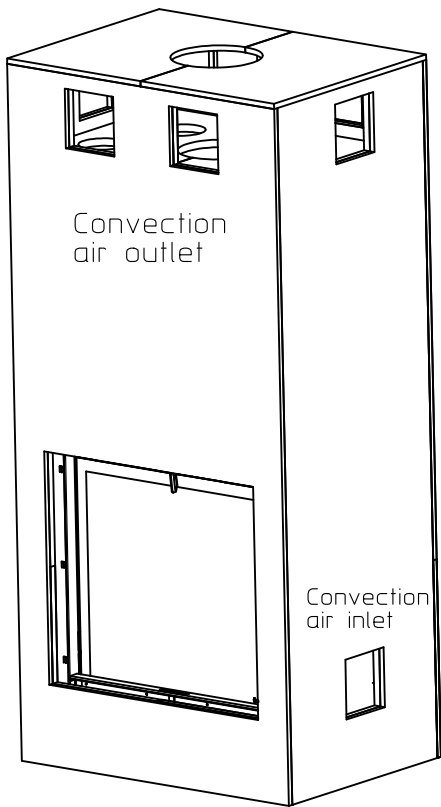
CE

General dimensional tolerances up to 6mm

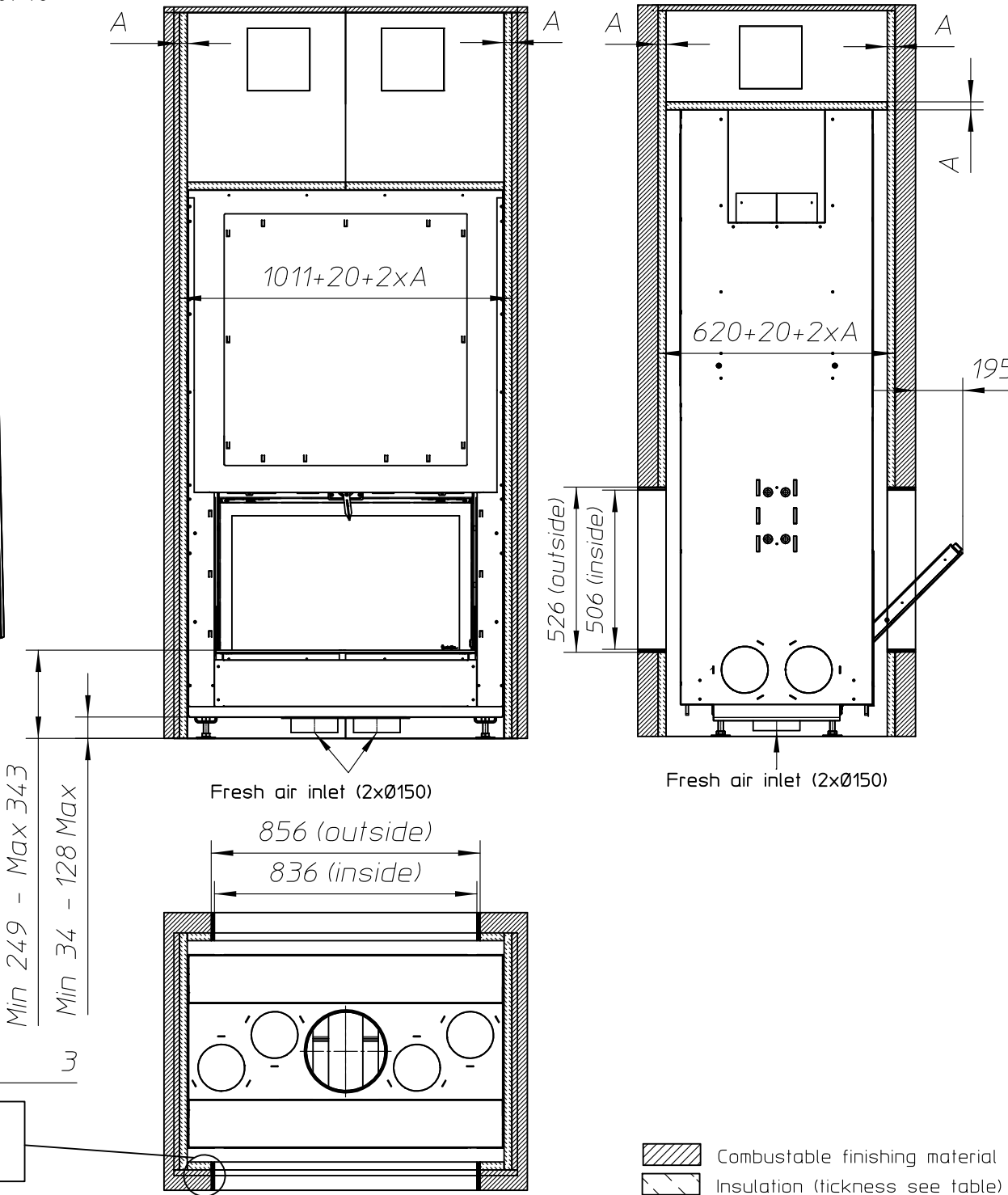
Metalfire preserves the right to modify specifications without previous notice

Sheet  
2/5

With finishing frame 90/10



Scale 1:25



ULTIME D Patented

*Metalfire*

Technical Document

ULTIME D MF 800-50 WHE T

Prescribed insulation thickness (mm)

Combustable finishing material

Metalfire recommended  
SILCA T 300  
(TC = 0,09 W/mK)

A = 25mm

Non-combustable finishing material

non-combustable  
materials  
structural building items  
EXCLUDED e.g. load bearing walls

A = 0mm

TC = thermal conductivity

NC = non-combustable

First aid and technical support:

- support@metalfire.eu

- +32 9 261 51 90

scale 1:20

Rev.  
A

www.metalfire.eu

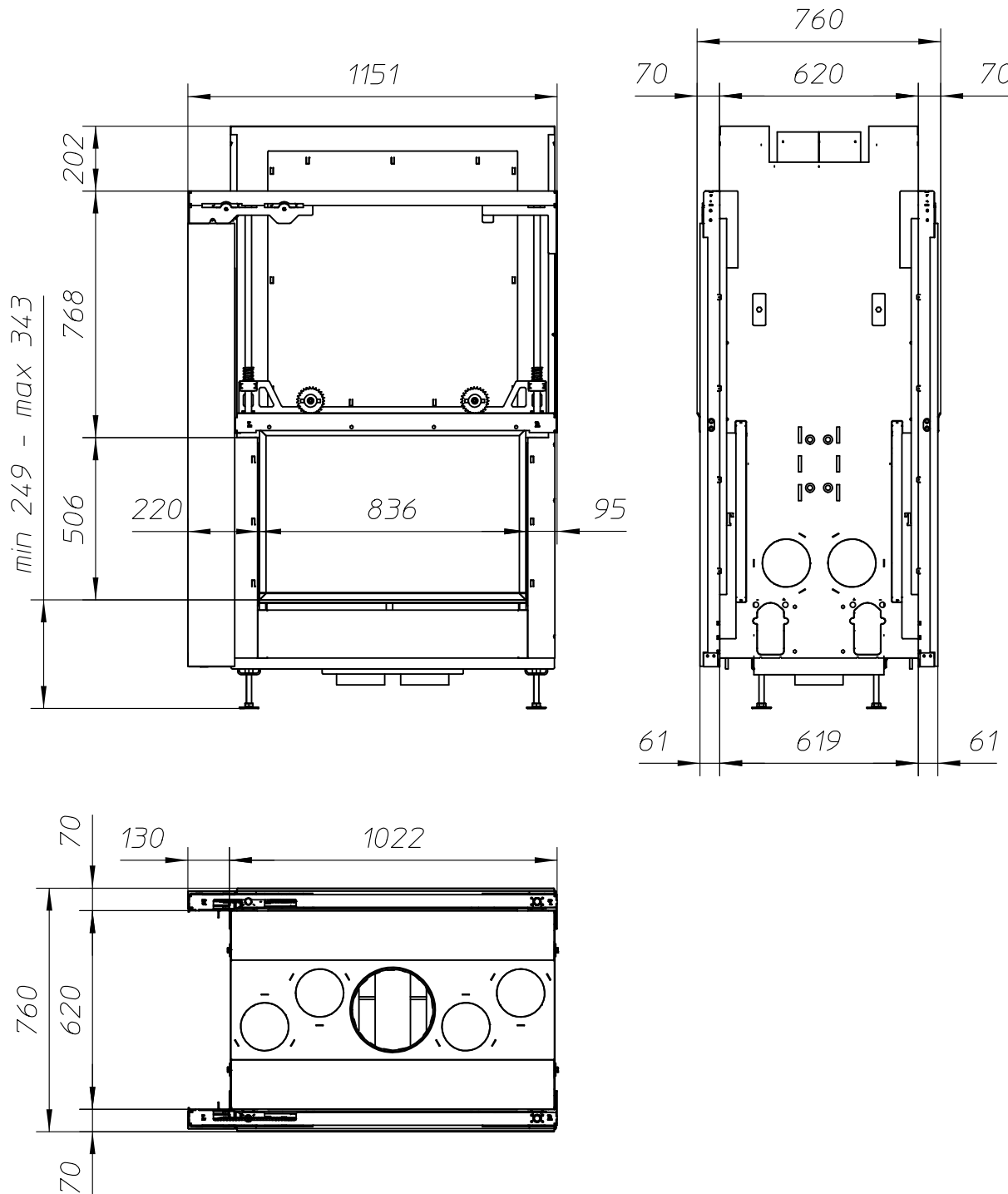
EN 13229

CE

General dimensional tolerances up to 6mm  
Metalfire preserves the right to modify specifications without previous notice

Sheet  
3/5

WITH 2 X FIRESCREEN - NO FINISHING FRAME



ULTIME D Patented

*Metalfire*

Technical Document

ULTIME D MF 800-50 WHE T

Dimensions (mm)

- combustion opening WxH: 836 x 506
- external WxDxH: 1151 x 760 x 2069
- fresh air intake: 2 x Ø150
- flue gas outlet: Ø250

Technical Data

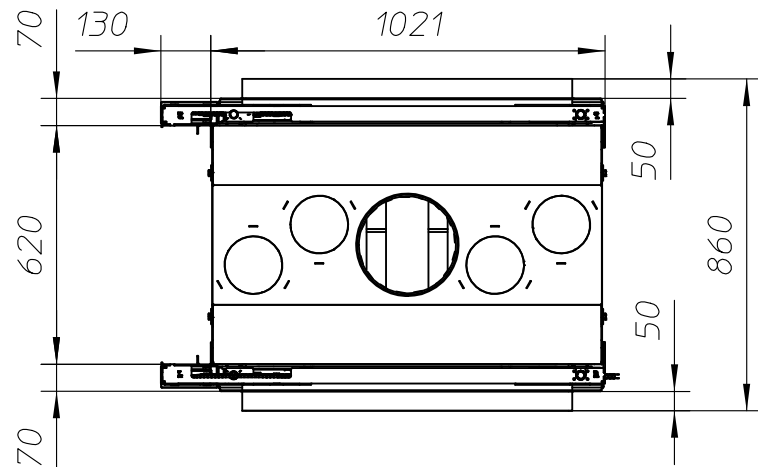
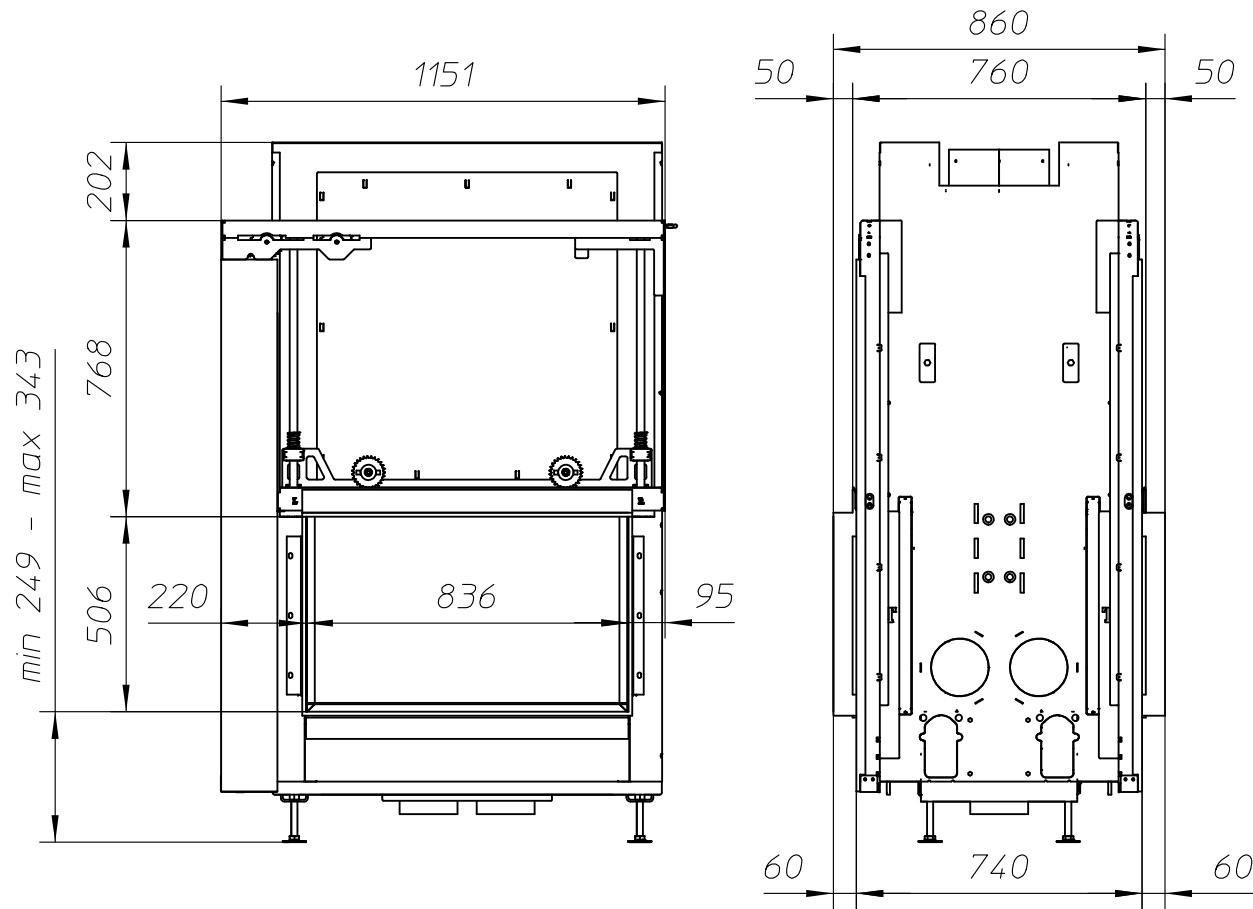
- ecolabel: A+
- capacity: 18.2kW
- efficiency: 82.3%
- CO (volume with 13%O<sub>2</sub>): 0.08%
- dust (volume with 13%O<sub>2</sub>): 26mg/Nm<sup>3</sup>
- weight: 350kg
- convection air inlet: min.700cm<sup>2</sup> (4 x Ø150)
- convection air outlet: min.700cm<sup>2</sup> (4 x Ø150)

First aid and technical support:

- support@metalfire.eu
- +32 9 261 51 90

scale 1:20	Rev. A
www.metalfire.eu EN 13229	CE
General dimensional tolerances up to 6mm Metalfire preserves the right to modify specifications without previous notice	Sheet 4/5

WITH 2 X FIRESCREEN AND FINISHING FRAME 120/10



ULTIME D Patented

*Metalfire*

Technical Document

ULTIME D MF 800-50 WHE T

Dimensions (mm)

- combustion opening WxH: 836 x 506
- external WxDxH: 1151 x 860 x 2069
- fresh air intake: 2 x Ø150
- flue gas outlet: Ø250

Technical Data

- ecolabel: A+
- capacity: 18.2kW
- efficiency: 82.3%
- CO (volume with 13%O<sub>2</sub>): 0.08%
- dust (volume with 13%O<sub>2</sub>): 26mg/Nm<sup>3</sup>
- weight: 350kg
- convection air inlet: min.700cm<sup>2</sup> (4 x Ø150)
- convection air outlet: min.700cm<sup>2</sup> (4 x Ø150)

First aid and technical support:

- support@metalfire.eu
- +32 9 261 51 90

scale 1:20	Rev. A
www.metalfire.eu EN 13229	CE
General dimensional tolerances up to 6mm Metalfire preserves the right to modify specifications without previous notice	Sheet 5/5