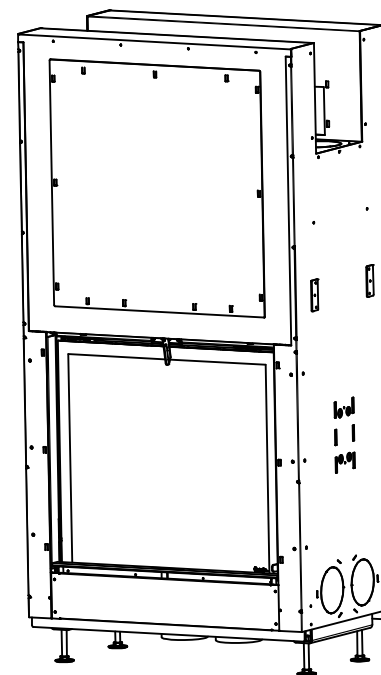
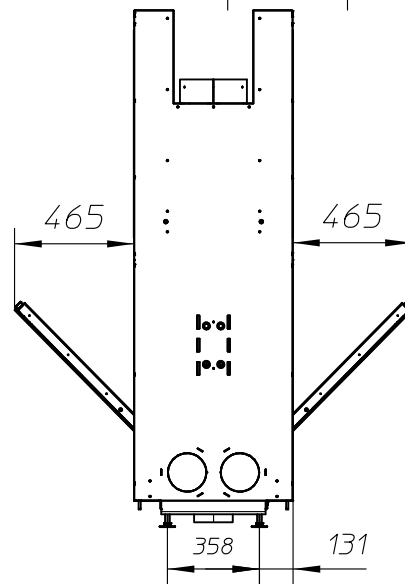
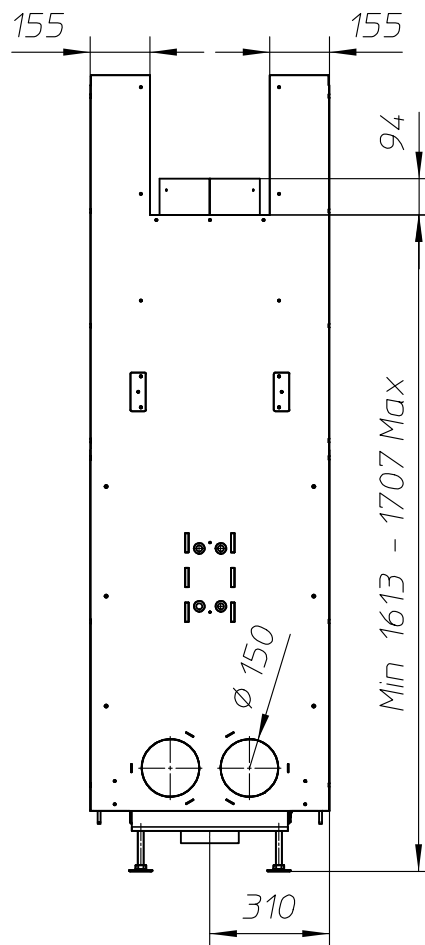
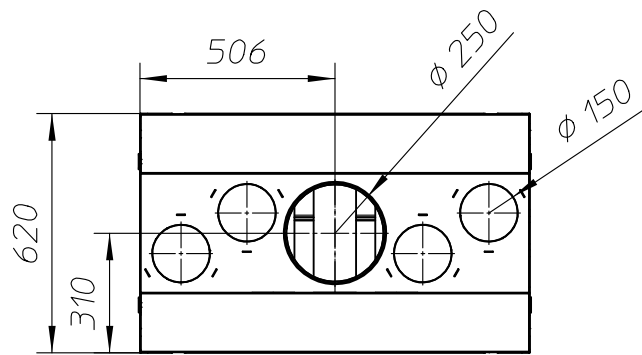


Fresh air inlet (2x Ø150)



ULTIME D Patented

Metalfire

Technical Document

ULTIME D MF 800-75 WHE T

Dimensions (mm)

- combustion opening WxH: 836 x 756
- external WxDxH: 1011 x 620 x 2069
- fresh air intake: 2 x Ø150
- flue gas outlet: Ø250

Technical Data

- ecolabel: A+
- capacity: 18.2kW
- efficiency: 82.3%
- CO (volume with 13%O₂): 0.08%
- dust (volume with 13%O₂): 26mg/Nm³
- weight: 350kg
- convection air inlet: min.700cm² (4 x Ø150)
- convection air outlet: min.700cm² (4 x Ø150)

First aid and technical support:

- support@metalfire.eu
- +32 9 261 51 90

scale 1:20

www.metalfire.eu EN 13229

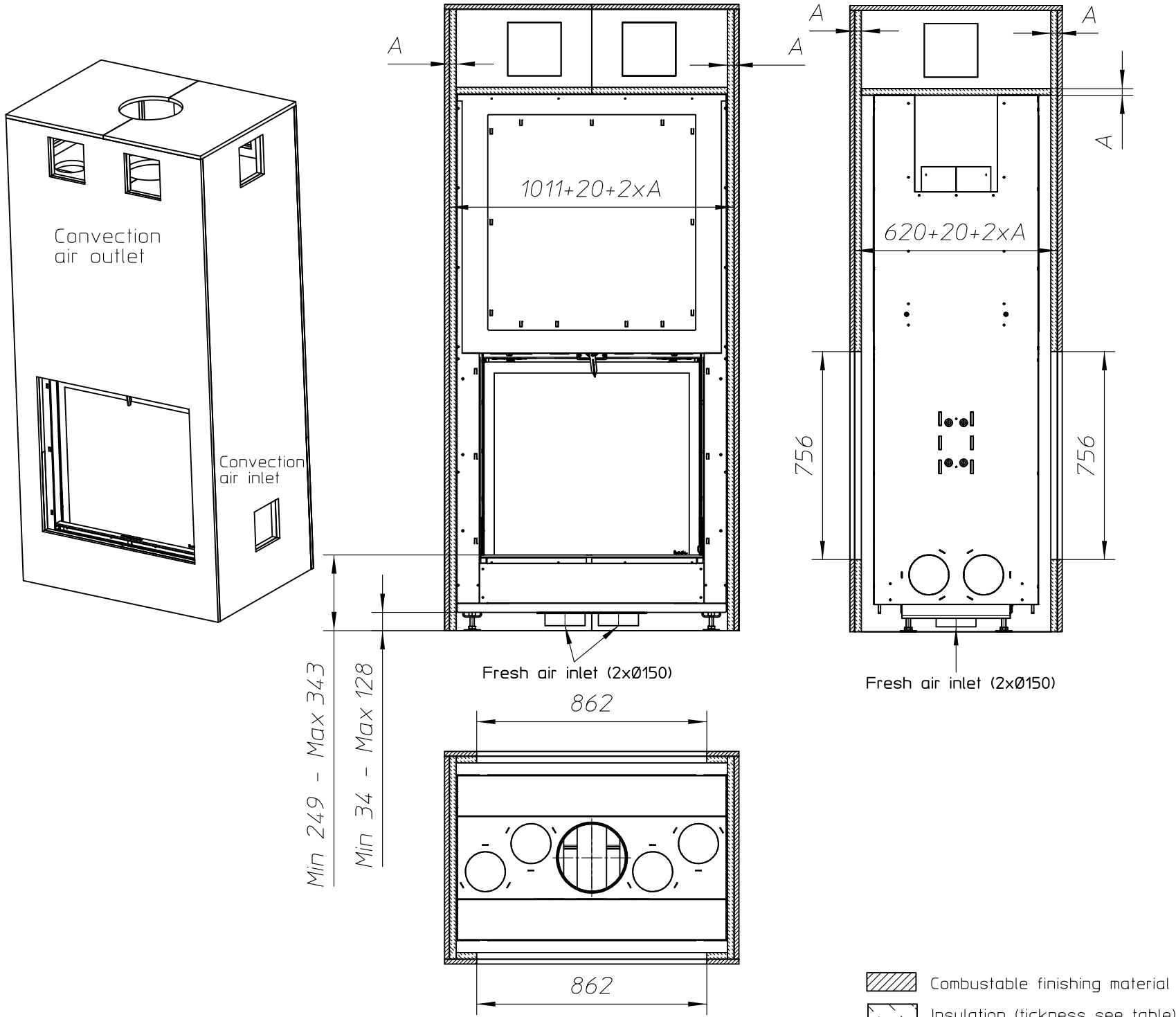
General dimensional tolerances up to 6mm
Metalfire preserves the right to modify specifications without previous notice

Rev.
A

CE

Sheet
1/5

Without finishing frame



ULTIME D Patented

Metalfire

Technical Document

ULTIME D MF 800-75 WHE T

Prescribed insulation thickness (mm)

Combustable finishing material

Metalfire recommended SILCA T 300 (TC = 0,09 W/mK)	A = 25mm
--	----------

Non-combustable finishing material

non-combustable materials structural building items EXCLUDED e.g. load bearing walls	A = 0mm
---	---------

TC = thermal conductivity NC = non-combustable

First aid and technical support:
 - support@metalfire.eu
 - +32 9 261 51 90

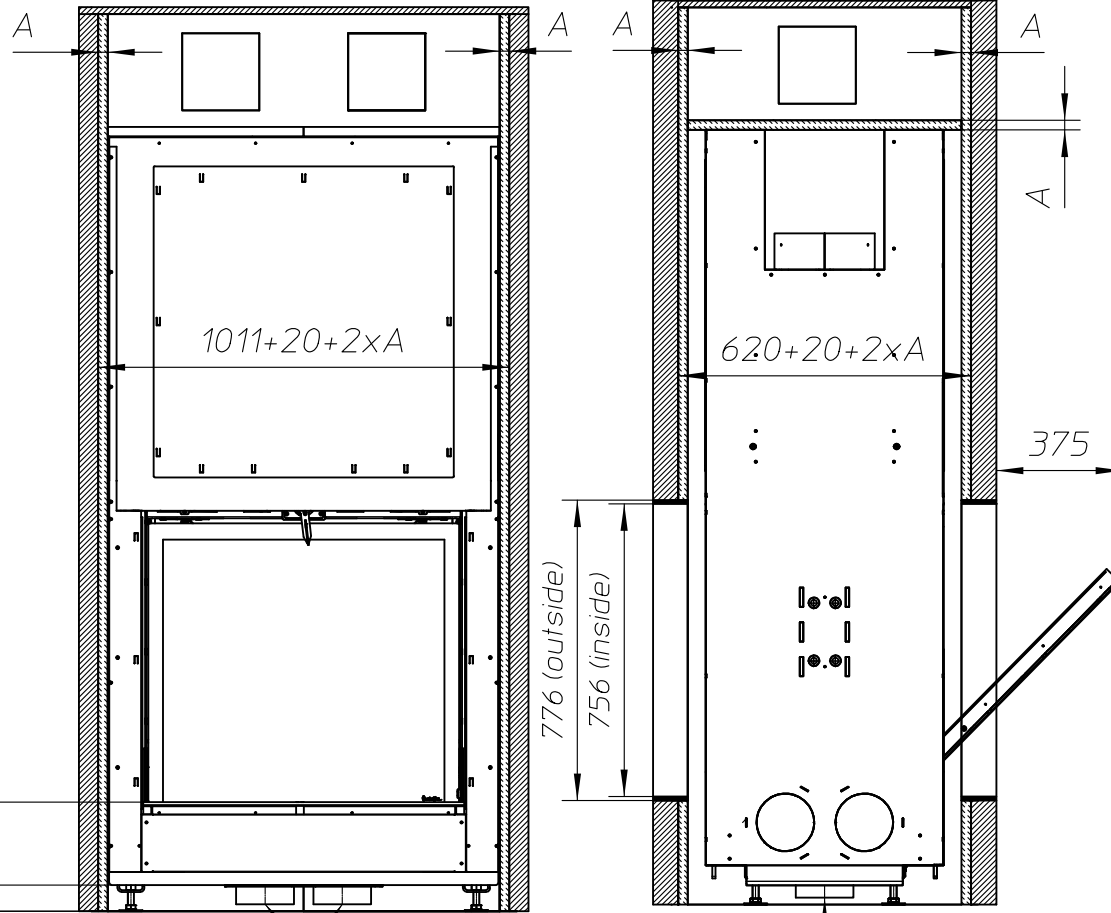
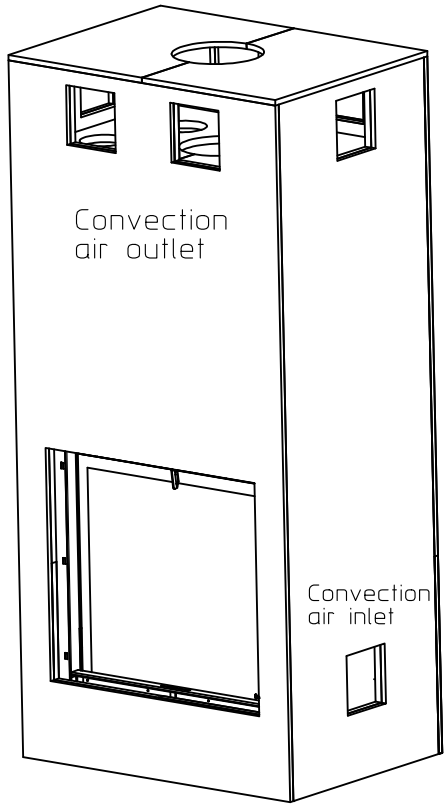
scale 1:20	Rev. A
------------	--------

www.metalfire.eu	EN 13229	CE
------------------	----------	----

General dimensional tolerances up to 6mm
 Metalfire preserves the right to modify specifications without previous notice

Sheet 2/5

With finishing frame 90/10

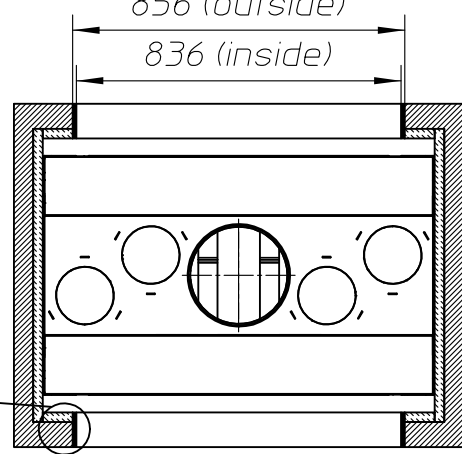
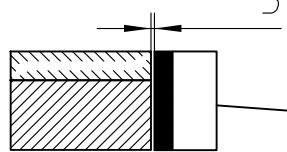



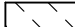
Min 249 - 343 Max
Min 34 - 128 Max

Fresh air inlet (2xØ150)

856 (outside)
836 (inside)

Fresh air inlet (2xØ150)



 Combustible finishing material
 Insulation (thickness see table)

ULTIME D ^{Patented}

Metalfire

Technical Document

ULTIME D MF 800-75 WHE T

Prescribed insulation thickness (mm)

Combustible finishing material

Metalfire recommended
SILCA T 300
(TC = 0,09 W/mK)

A = 25mm

Non-combustible finishing material

non-combustable
materials
structural building items
EXCLUDED e.g. load bearing walls

A = 0mm

TC - thermal conductivity NC - non-combustible

First aid and technical support:

- support@metalfire.eu
- +32 9 261 51 90

scale 1:20

www.metalfire.eu EN 13229

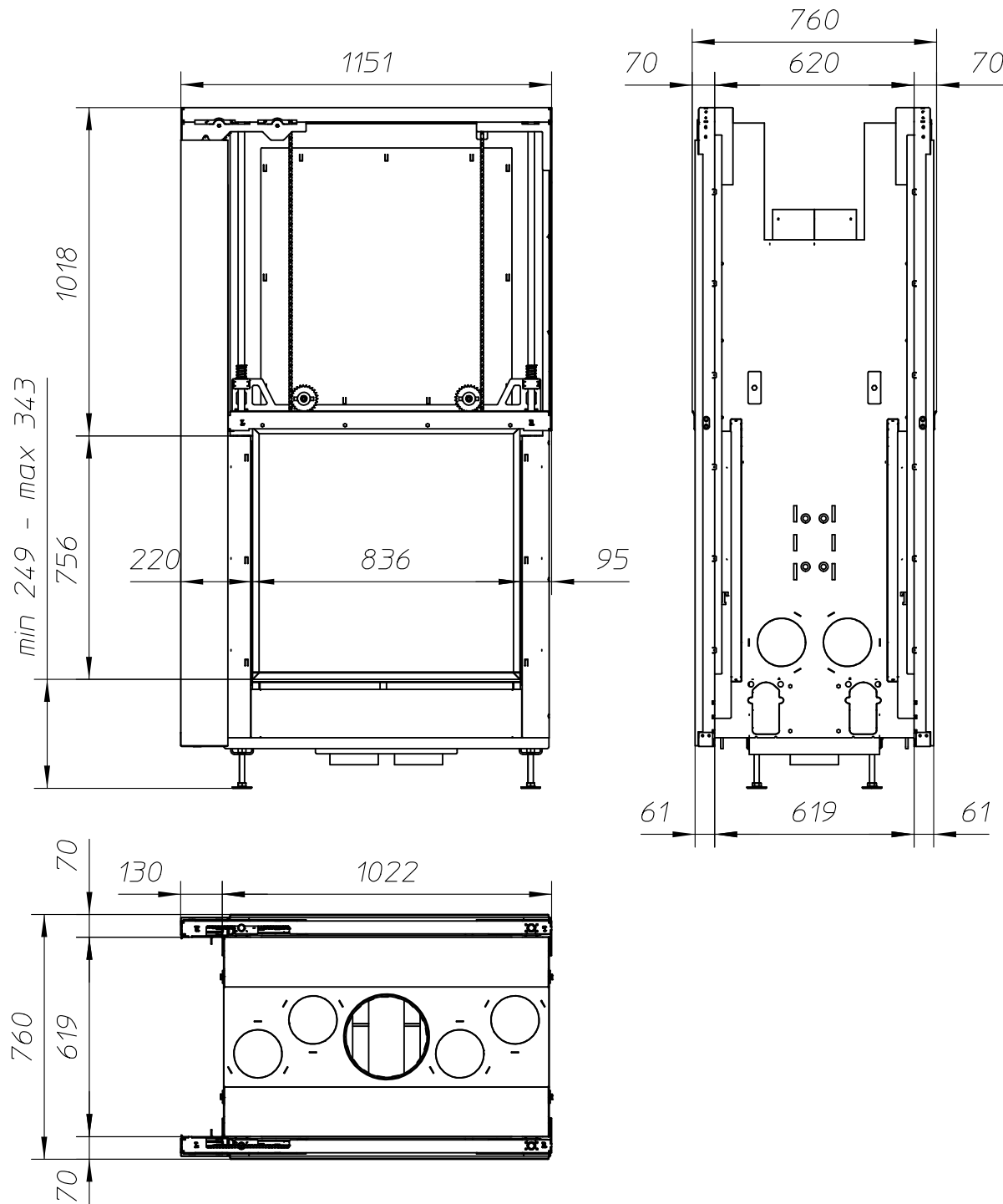
General dimensional tolerances up to 6mm
Metalfire preserves the right to modify specifications without previous notice

Rev.
A

CE

Sheet
3/5

WITH 2 X FIRESCREEN - NO FINISHING FRAME



ULTIME D Patented

Metalfire

Technical Document

ULTIME D MF 800-75 WHE T

Dimensions (mm)

- combustion opening WxH: 836 x 756
- external WxDxH: 1151 x 760 x 2069
- fresh air intake: 2 x Ø150
- flue gas outlet: Ø250

Technical Data

- ecolabel: A+
- capacity: 18.2kW
- efficiency: 82.3%
- CO (volume with 13%O₂): 0.08%
- dust (volume with 13%O₂): 26mg/Nm³
- weight: 350kg
- convection air inlet: min.700cm² (4 x Ø150)
- convection air outlet: min.700cm² (4 x Ø150)

First aid and technical support:

- support@metalfire.eu
- +32 9 261 51 90

scale 1:20

www.metalfire.eu EN 13229

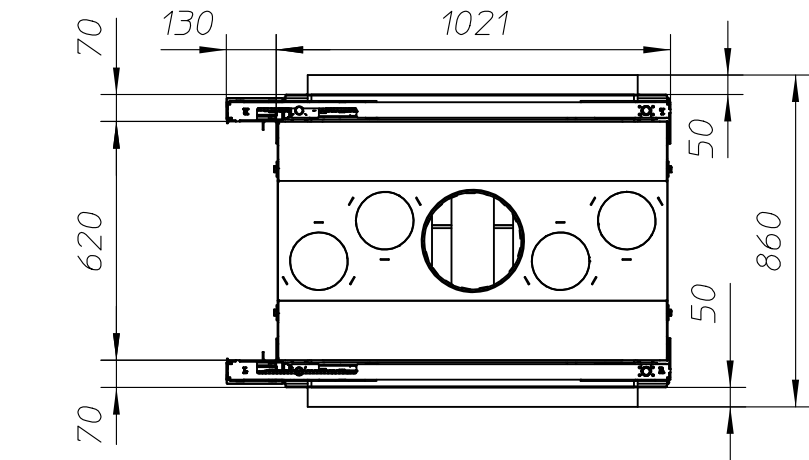
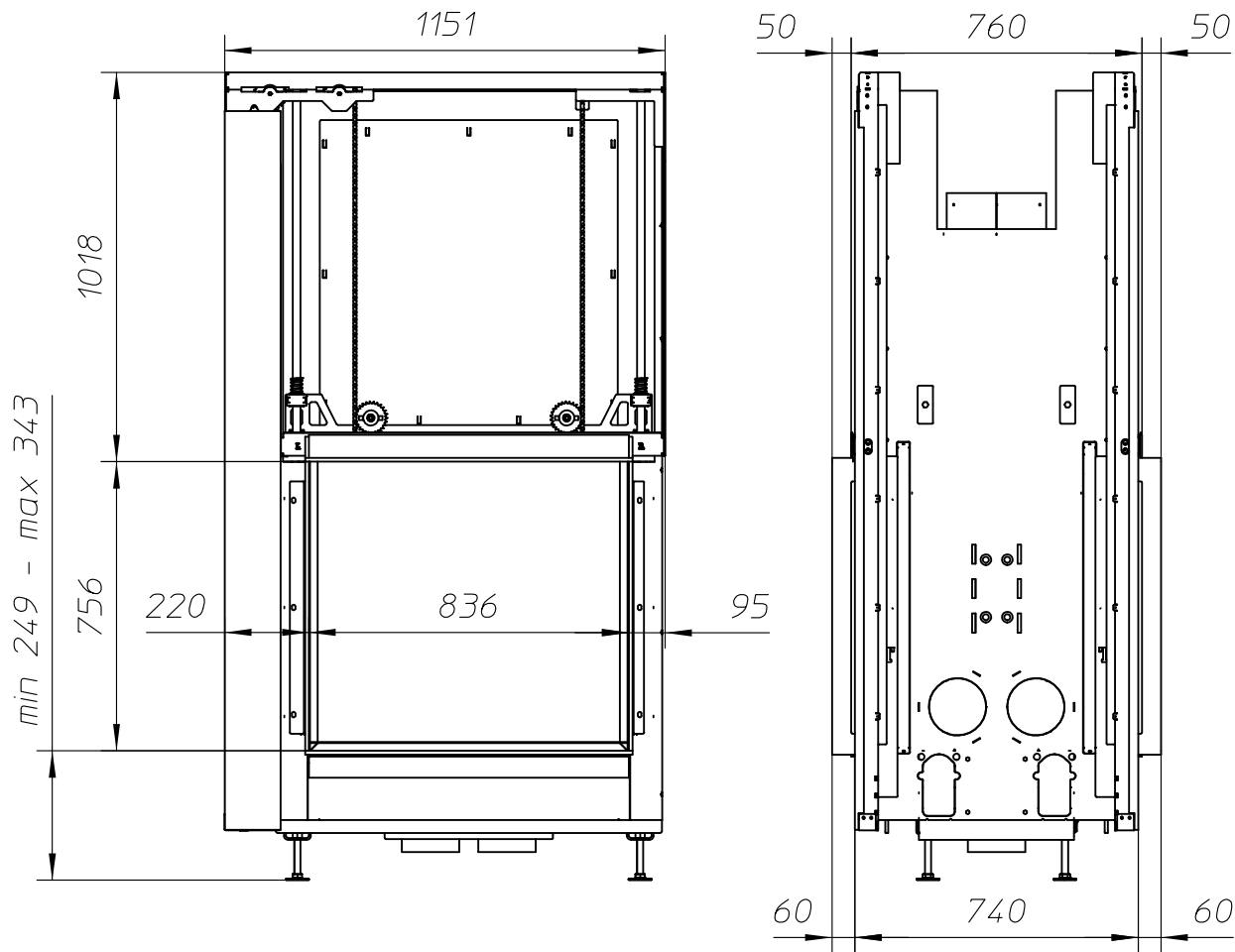
General dimensional tolerances up to 6mm
Metalfire preserves the right to modify specifications without previous notice

Rev.
A

CE

Sheet
4/5

WITH 2 X FIRESCREEN AND FINISHING FRAME 120/10



ULTIME D Patented

Metalfire

Technical Document

ULTIME D MF 800-75 WHE T

Dimensions (mm)

- combustion opening WxH: 836 x 756
- external WxDxH: 1151 x 860 x 2069
- fresh air intake: 2 x Ø150
- flue gas outlet: Ø250

Technical Data

- ecolabel: A+
- capacity: 18.2kW
- efficiency: 82.3%
- CO (volume with 13%O₂): 0.08%
- dust (volume with 13%O₂): 26mg/Nm³
- weight: 350kg
- convection air inlet: min.700cm² (4 x Ø150)
- convection air outlet: min.700cm² (4 x Ø150)

First aid and technical support:

- support@metalfire.eu
- +32 9 261 51 90

scale 1:20	Rev. A
www.metalfire.eu EN 13229	CE
General dimensional tolerances up to 6mm Metalfire preserves the right to modify specifications without previous notice	Sheet 5/5