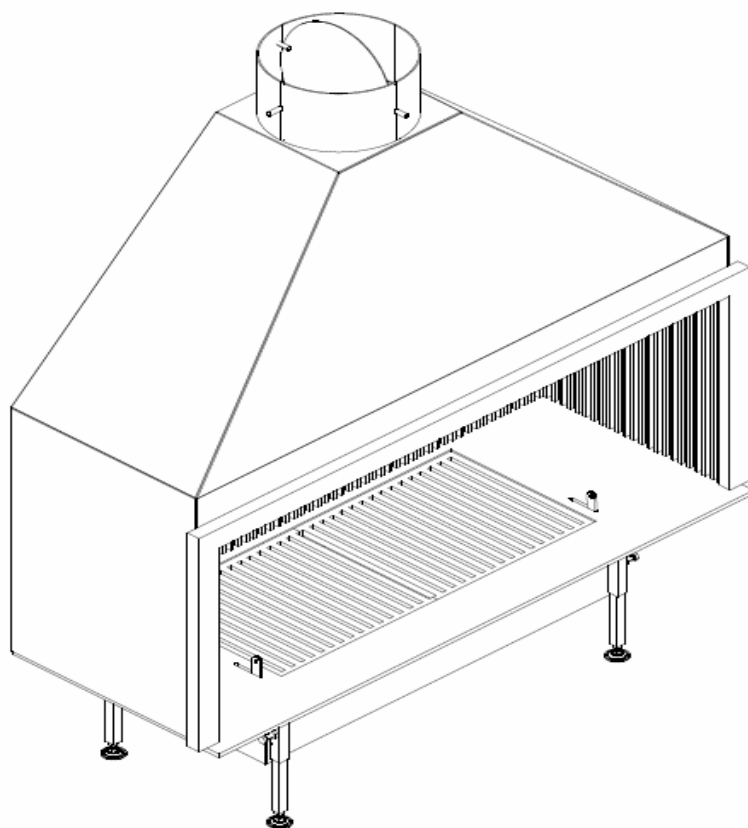


metalfire
| architectural fireplaces |

UNIVERSAL SERIES



Operating instructions

metalfire
| architectural fireplaces |

Noorwegenstraat 28
9940 Evergem - Belgium

1 Table of contents

1	Table of contents.....	3
2	Introduction	4
3	Safety	5
	Safety instructions for the user.....	5
4	Operating instructions	6
4.1	Opening the spark screen	6
4.2	Emptying the ash drawer.....	6
4.3	Adjustment of the flue gas damper	7
5	Lighting the fire.....	8
5.1	Fuel.....	8
5.2	Lighting the fire	8
5.2.1	Opening aeration valves and flue gas valve	8
5.2.2	Starting the flue gas fan and aeration fan.....	9
5.2.2.1	Flue gas fan	9
5.2.2.2	Aeration using the fan	10
5.2.3	Lighting the fire	11
6	Maintenance.....	12
7	Failures	13
7.1	Smoke kickback	13
7.2	Unpleasant smell.....	13
7.3	What to do in case of a chimney fire	13
8	Terms of guarantee.....	14
8.1	Period of guarantee.....	14
8.2	Exclusion	14
8.3	Reservation	14

2 Introduction

We thank you for your confidence in the Metalfire fireplace you purchased. Our products guarantee ambient heating for years on end.

Before taking the fireplace into operation, first read these operating instructions carefully.

We advise you to check the appliance for any transport damages at delivery.

These appliances are open wood-fired fireplaces which are connected to an individual flue gas duct. This flue gas duct ensures the evacuation of the flue gasses. The outside air supply meant for the combustion can be connected to the appliance.

If required, the flue gas duct can be equipped with a flue gas fan. The combustion air can be supplied through natural convection or by using a fan.

3 Safety

Safety instructions for the user

These wood-fired fireplaces emit a certain quantity of heat. The entire outside of the fireplace becomes hot.

Make sure that young children and elderly people keep an adequate distance from the fireplace, so that they cannot touch it and if required, provide for a guard around the fireplace. Never have children operate the fireplace.

Make sure that flammable materials (wood decorations, curtains, flammable liquids, furniture, etc.) both over the fireplace and around the fireplace are at a minimum distance of 0.8 m from the fireplace. After having being installed, all visible parts of the fireplace must be considered as being an active heating surface and therefore may not be touched when the fireplace is burning. These parts present a risk of burns.

This fireplace is only intended as ambient heating, hence not for continuous use.

4 Operating instructions

4.1 Opening the spark screen



The spark screen moves very smoothly up and down. The spark screen can be moved up and down by hand at the folded rim. The spark screen is intended to prevent sparks and glowing particles from hitting the floor.

4.2 Emptying the ash drawer

Empty the ash drawer only after the fireplace has cooled down completely in which there are no glowing or burning residues.

First slide the spark screen in the upper position.

Below the firing grate there is a removable ash drawer. It must be emptied regularly.

To empty the ash drawer, the firing grate(s) must be removed first.

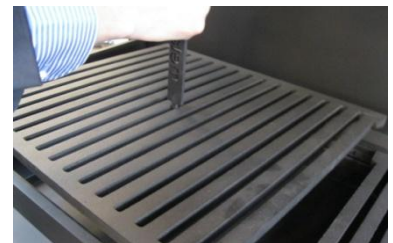
Next, the ash drawer can be removed so as to be emptied or it is directly accessible so as to empty the ash drawer with a vacuum cleaner.



Position the door handle in the groove of the grate.



Turn the key 90° so that it is secured between the grooves of the grate. Now the grate can be lifted up with the door handle.



Now the grates can be removed from the fireplace.



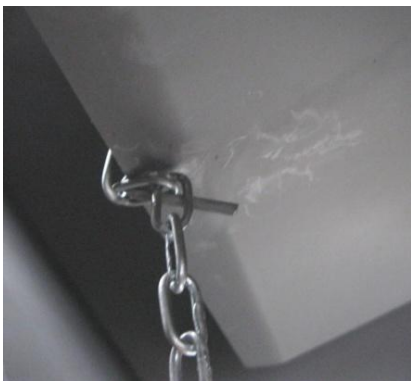
Now the ash drawer can be withdrawn using both handles. When re-installing the ash drawer, make sure that the rear of the ash drawer is positioned underneath the support face. Only the sides and front of the ash drawer are supported.



Rear of ash drawer positioned underneath the support face

4.3 Adjustment of the flue gas damper

In the flue gas throat, there is a pivoting flue gas damper fixed to the rear wall. The angle of this damper can be adjusted by means of a chain and a hook at the front of this damper.



The angle of the damper must be adjusted in such a way that no smoke is kicked back into the living room. The smaller the angle of the damper, the better the heat emission towards the room, but the more difficult it is to evacuate the flue gasses through the flue gas duct, and the greater the risk of smoke being kicked back.

5 Lighting the fire

5.1 Fuel

The Universal is appropriate for burning wood. In order to achieve a good combustion, the degree of humidity of the wood may not exceed 15%. If this not the case, more smoke will be generated and the fireplace's heat emission will be considerably reduced, and the chimney will foul more rapidly increasing the risk of a chimney fire.

In order to achieve the degree of humidity, the wood must be dried in a dry and aerated location for at least 2 to 3 years.

The most appropriate wood species are oak, beach and birch.

The ideal logs have a length of 30 cm and a circumference of not more than 30 cm. A maximum of 4 such logs may be put into the fireplace.

We strongly advise against the use of wood species containing resin because of the forming of sparks and the short combustion time.

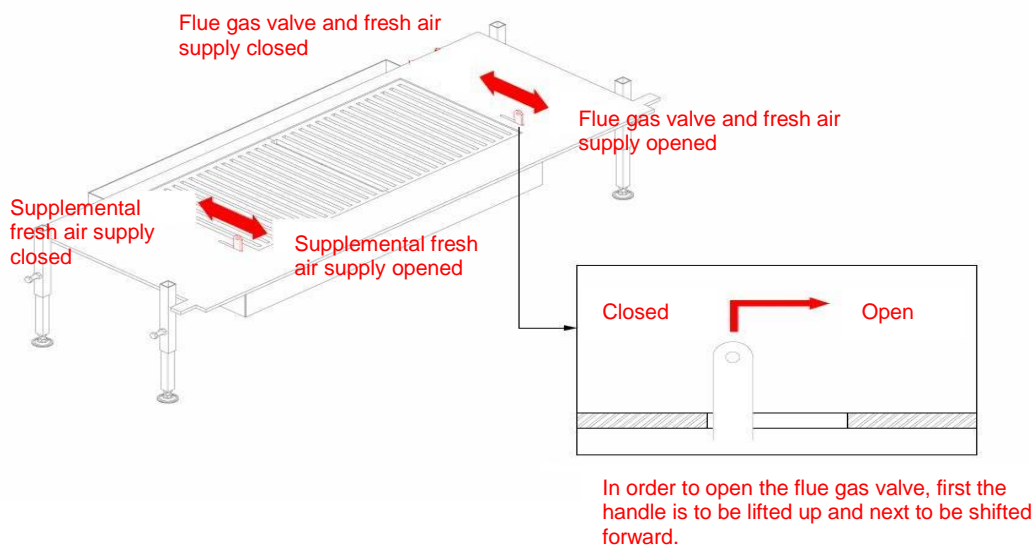
The use of chipboard, wood laminate, treated wood or combustible waste is forbidden because of the environment and damages to the fireplace.

Do not use white spirit, petrol, oil or other fire accelerators.

5.2 Lighting the fire

5.2.1 Opening aeration valves and flue gas valve

At the level of the firing bottom, an operating lever is provided both at the left and right. The right lever operates the flue gas and aeration valve, the left lever operates the air supply valve. Before starting to light the fire, both these levers must be moved into the open position (see figure)



The levers are operated using the supply handles.



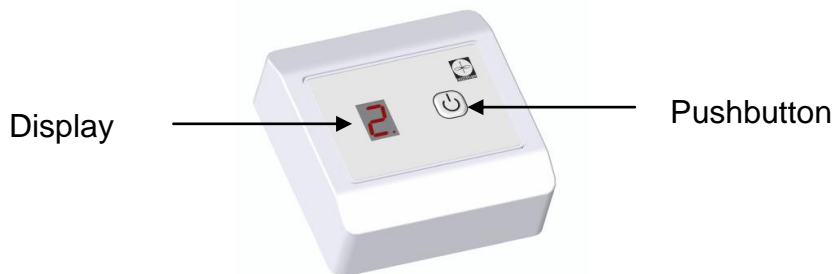
Handles at the left and right of the fire bottom.

5.2.2 Starting the flue gas fan and aeration fan

In case the fireplace assembly is equipped with a flue gas fan and aeration fan, these two must be activated before lighting the fire.

5.2.2.1 Flue gas fan

The flue gas fan is activated using the EFC18 control.



Adjustment:

Before taking the fireplace into service, the EFC18 is adjusted so that the temperature feeler activates the fan at a temperature of 20°C, 40°C or 80°C.
The factory setting is 40°C.

Setting the temperature range

Step	Operation
1	The controller must be on 'standby' (* - * in the display).
2	Keep the pushbutton pressed for 5 sec: then the display alternates between 0, 1, 2 or 3.
3	As soon as the desired number appears, press the button again until a horizontal line (* __ *) appears

Possible settings:

- 0 = mounted without feeler
- 1 = automatic start / stop fan, 20°C (open fireplace / closed (wood) fire / furnace).
- 2 = automatic start / stop fan, 40°C (open fireplace / closed (wood) fire / furnace).
- 3 = automatic start / stop fan, 80°C (alternative setting for closed (wood) fire / furnace: late start / quick stop).

Daily use:

Start

Prepare the kindling, and start the EFC by pressing the button briefly. Light the fire: the fan rotates for 7 minutes at full force and then goes down to the level set before. The speed can be modified from 1-9 at any point in time by keeping the button pressed.

Charging

When the feeler is active (red dot in the display), the charge function can be activated by pressing the button briefly. The fan rotates at full speed for 3 minutes.

Automatic stop

When the red dot in the display flashes, the last running phase has begun: 45 minutes after the temperature at the feeler has dropped below 20°C, 40°C or 80°C (according to the setting), the fan stops automatically.

Automatic function

When the red dot in the display lights, the temperature at the feeler is above the set value. Now the fan can only be stopped by switching off the electric power supply.

Fault in the feeler

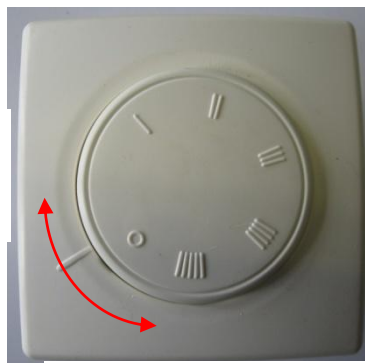
In case of a fault in the detector, a character 'E' flashes in the display. Check the installation.

The setting of the fan speed (1-9) must be such that there is no return of smoke. This setting can be changed after 7 minutes from the start-up of the fan. It is advisable to begin with a setting of '5'. In function of the result, this value can still be increased or decreased.

5.2.2.2 Aeration using the fan

The speed of the aeration fan is controlled using a dimmer switch. The minimum speed (pos. I) must be set by the person installing the fireplace. The fan is started up by turning the dial clockwise. Hence, the fan will start up in pos. III first. This is the maximum speed. The setting of the dial must be such that the air balance in the living room, where the fireplace has been installed, is maintained. So, it is independent of the ventilation system present in the house, whether a cooker hood is used or not, and of the speed of the flue gas fan.

On
Decrease the speed



Increase the speed
Off

5.2.3 Lighting the fire

Put finely split kindling wood on top of the grate.
Light the wood using firelighters.



Once the kindling wood is burning with nice flames, larger logs can be added. These may be 30 cm long and have a 15 cm circumference. Put these logs on top of the kindling wood.



A glowing bed will form.
Spread the glowing bed well using a poker, and then add new logs.
These may be 30 cm long and have a 15 cm circumference.



Possible ways of stacking so as to achieve an optimum mixing of air.



Spread the glowing bed using a poker, and put new logs on top of the glowing bed. Observe the maximum quantity of wood.

6 Maintenance

Let the fireplace fully cool down, and remove all residue before starting maintenance. The lacquered parts can be cleaned using a damp non-lint cloth.

Do not use caustic detergents.

The fireplace's paintwork can be touched up using heat-resistant paint in a spray can that is available from Metalfire.

Remove ash residue regularly which have accumulated underneath the ash drawer.

At least once every year, the flue gas duct must be cleaned and checked.

7 Failures

7.1 Smoke kickback

- Check the flue gas duct for blockings. (bird's nest)
- Check the operation and settings of the flue gas fan.
- Check the combustion air supply duct.
- Check the adjustment of the flue gas damper.
- Underpressure in the room as a result of the ventilation system or a cooker hood.
- Incorrectly sized flue gas duct. (diameter too small, length too short, ...)
- Burn wood with a degree of humidity of 15%.

7.2 Unpleasant smell

- Limit the quantity of wood in accordance with what has been prescribed.
- During the first firings the heat-resistant paint will cure and this causes an unpleasant smell. Ensure an adequate ventilation.
- Check whether there is no smoke kickback.
- Check whether the temperature of the convection air stays below 100°C. This prevents an unpleasant smell as a result of the burning of dust.

7.3 What to do in case of a chimney fire

A chimney fire can occur when soot accumulated in the chimney catches fire. This is accompanied by heavy smoke and a howling sound in the flue gas duct.

- Never extinguish the fire using water.
- Use sand or salt for extinguishing the fire in the fireplace.
- Call in the fire brigade.
- Have the chimney inspected and repaired by a recognized specialist.

A chimney functioning by natural draught must be cleaned annually. In case a flue gas fan is used, the chimney and the fan must be cleaned 2 to 3 times every year.

8 Terms of guarantee

8.1 Period of guarantee

- 5 years' guarantee on the general construction of the fireplace
- 2 years' guarantee on the cast iron corrugated elements and firing grate

The guarantee only applies to construction faults.

The guarantee period starts on the date mentioned on the invoice.

The invoice is the only legal proof of guarantee.

The renewal or remounting of parts under guarantee does not extend the total guarantee period.

The guarantee is limited to the simple exchange of parts that have been declared defective by our technical department excluding all damages due to the inability to use the fireplace.

Transport costs, travel expenses and installation costs are at the user's expense.

All cases of guarantee must be settled through the dealer.

8.2 Exclusion

Damage or defects due to the improper compliance with the installation and operating instructions are not covered by the guarantee.

The guarantee expires in case of poor maintenance of the fireplace, accident or disaster due to a cause foreign to the fireplace or in case of repair by a non-competent person.

The guarantee expires in case of application of internal changes or when the fireplace is being renovated.

Are not covered by the guarantee:

- The use of inappropriate fuels
- Damage to glass and seals.
- Damage resulting from transport, storage and installation.
- Use of non-original Metalfire parts.

8.3 Reservation

Metalfire BVBA reserves the right to change its appliances, brochures, installation and operating manuals at any time and without prior notice.