

UNIVERSAL Patented

**metalfire**

Technical Document

Model: UNIVERSAL MF 800-75 W T



**Dimensions (mm)**

- combustion chamber WxDxH 800 x 500 x 750
- external WxDxH: 956 x 560 x 2300
- stoke grate WxD: 600 x 370
- fresh air: 1 x  $\phi$ 150

**Specifications**

- finishing: heat-resistant black paint
- lockable valve for fresh air and smoke gases
- two-piece cast iron stoke grate
- sliding door in metal wire mesh (black H-R paint)
- finishing: heat-resistant black paint
- interior finishing: ORIGINAL (ribbed cast iron)

**Options**

- chimney fan RSV 14
- convection jacket (see options)
- interior finishing: MINIMAL  DESIGN 

First aid and technical support:

- support@metalfire.eu
- +32 (0)9 261 50 57

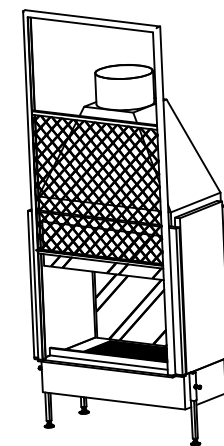
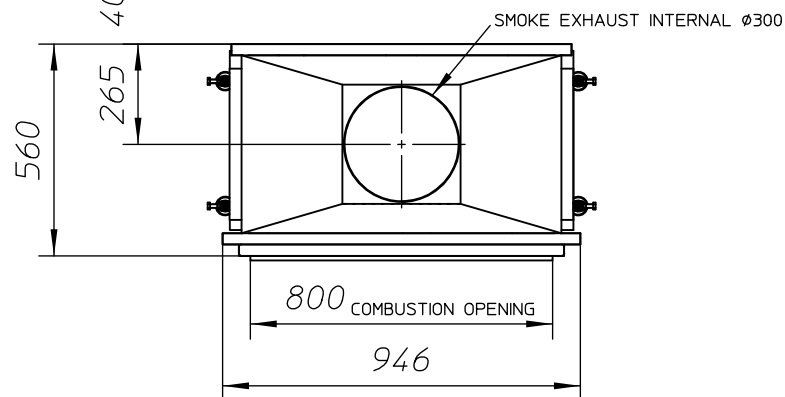
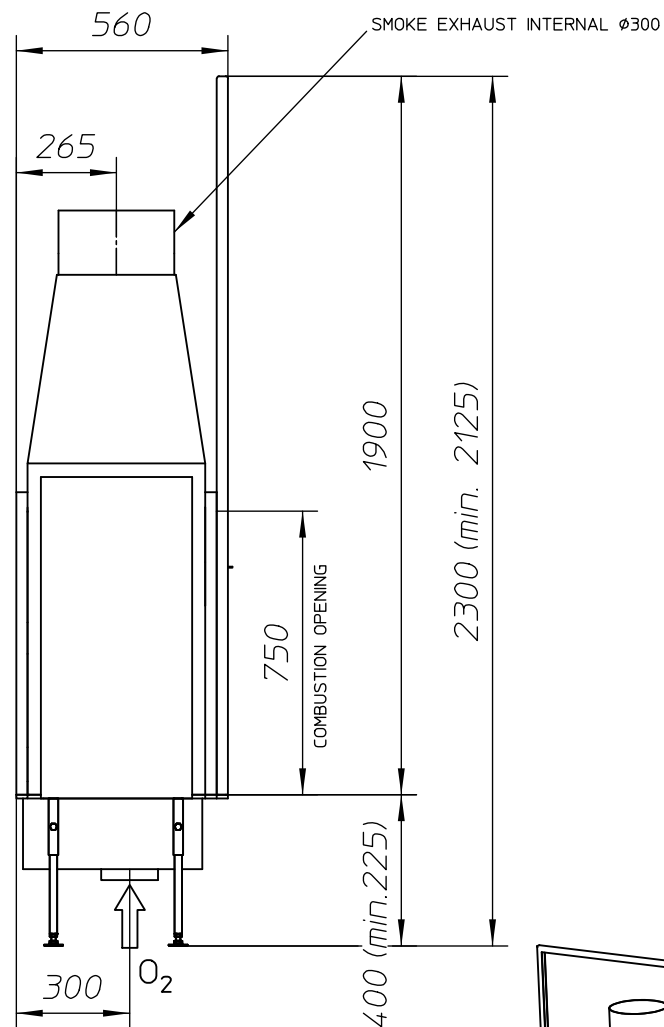
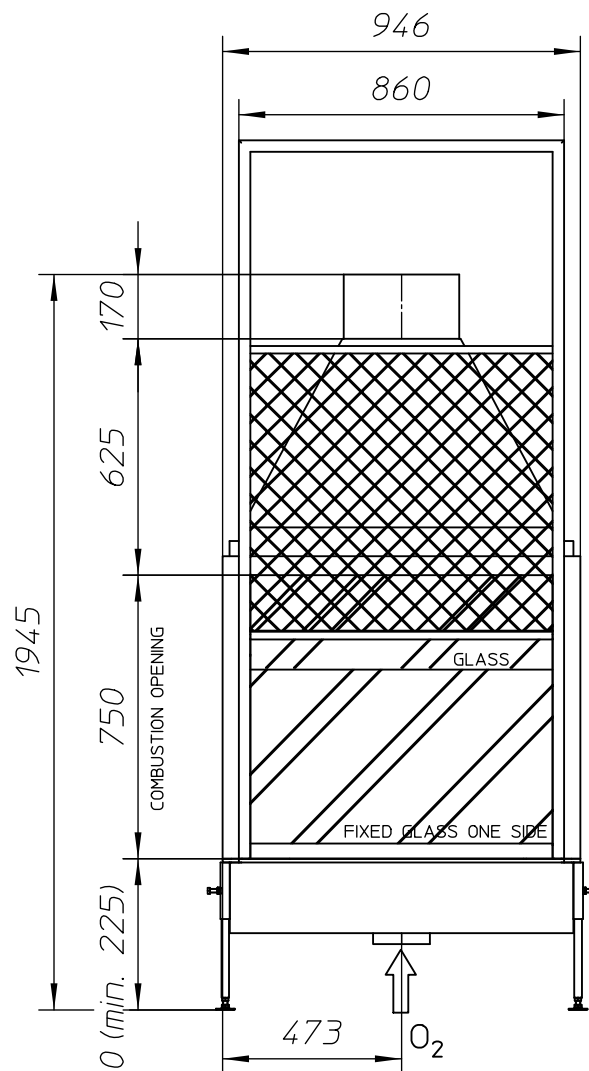
scale 1:20

Rev. -1

www.metalfire.eu

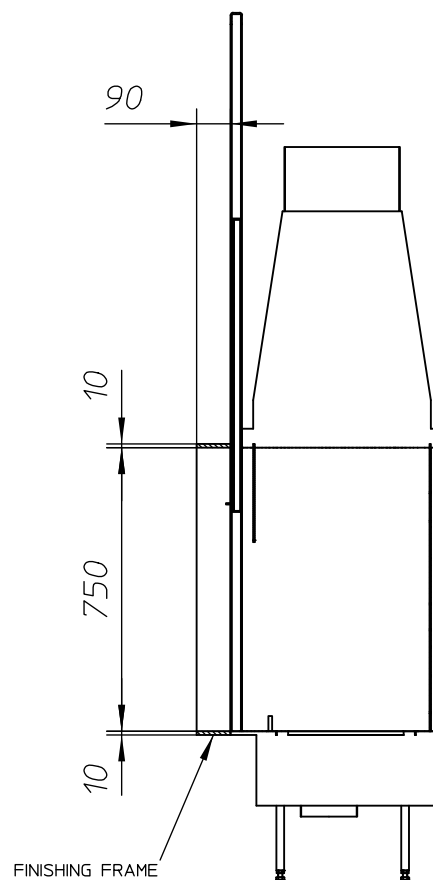
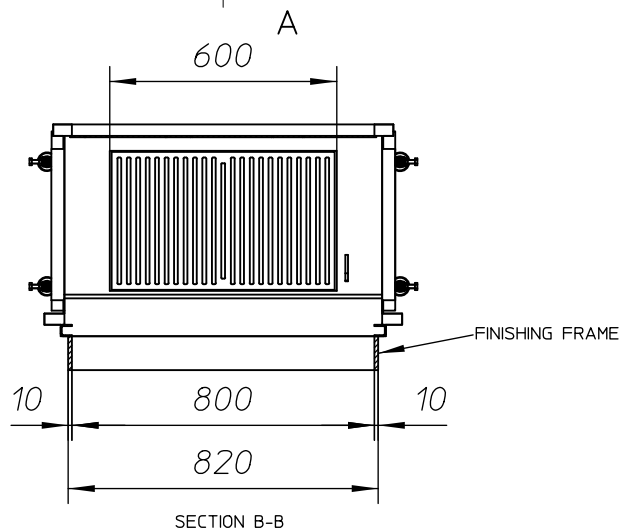
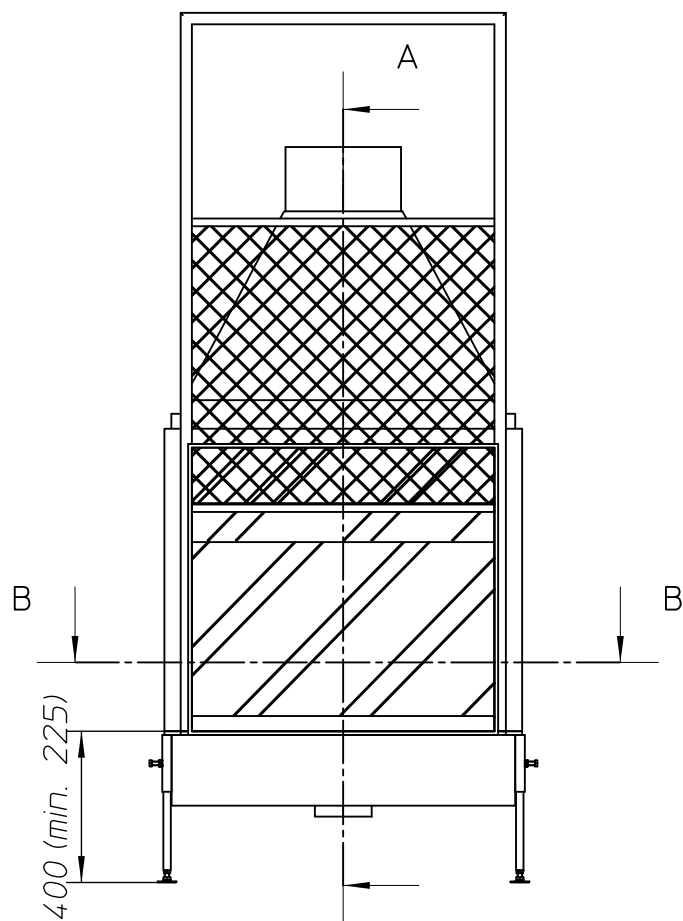
General dimensional tolerances up to 6mm  
Metalfire preserves the right to modify specifications without previous notice

Sheet 1/4

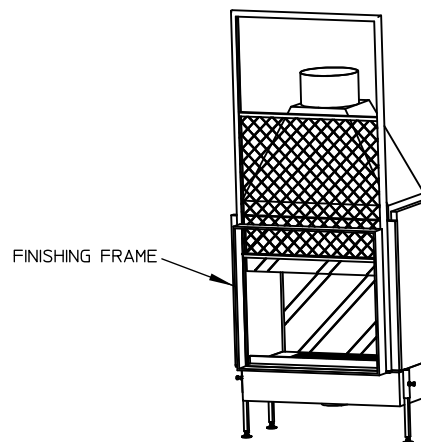


Scale 1:40

WITH FINISHING FRAME



SECTION A-A



Scale 1:40

UNIVERSAL Patented

metalfire

Technical Document

Model: UNIVERSAL MF 800-75 W T



Dimensions (mm)

- combustion chamber WxDxH 800 x 500 x 750
- external WxDxH: 956 x 560 x 2300
- stoke grate WxD: 600 x 370
- fresh air: 1 x Ø150

Specifications

- finishing: heat-resistant black paint
- lockable valve for fresh air and smoke gases
- two-piece cast iron stoke grate
- sliding door in metal wire mesh (black H-R paint)
- finishing: heat-resistant black paint
- interior finishing: ORIGINAL (ribbed cast iron)

Options

- chimney fan RSV 14
- convection jacket (see options)
- interior finishing: MINIMAL  DESIGN 

First aid and technical support:

- support@metalfire.eu
- +32 (0)9 261 50 57

scale 1:20

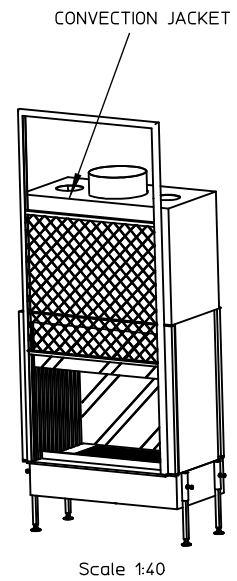
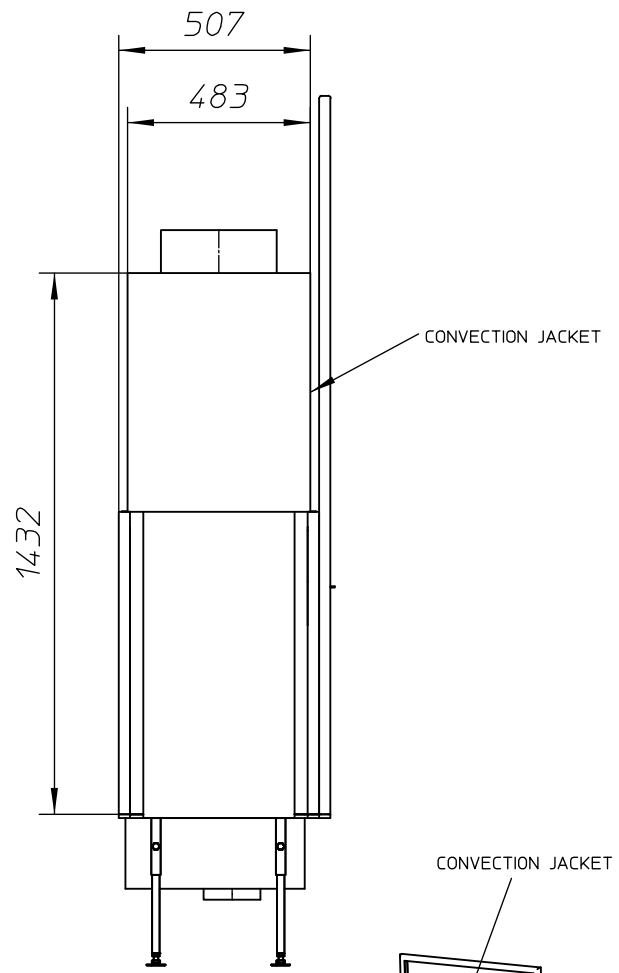
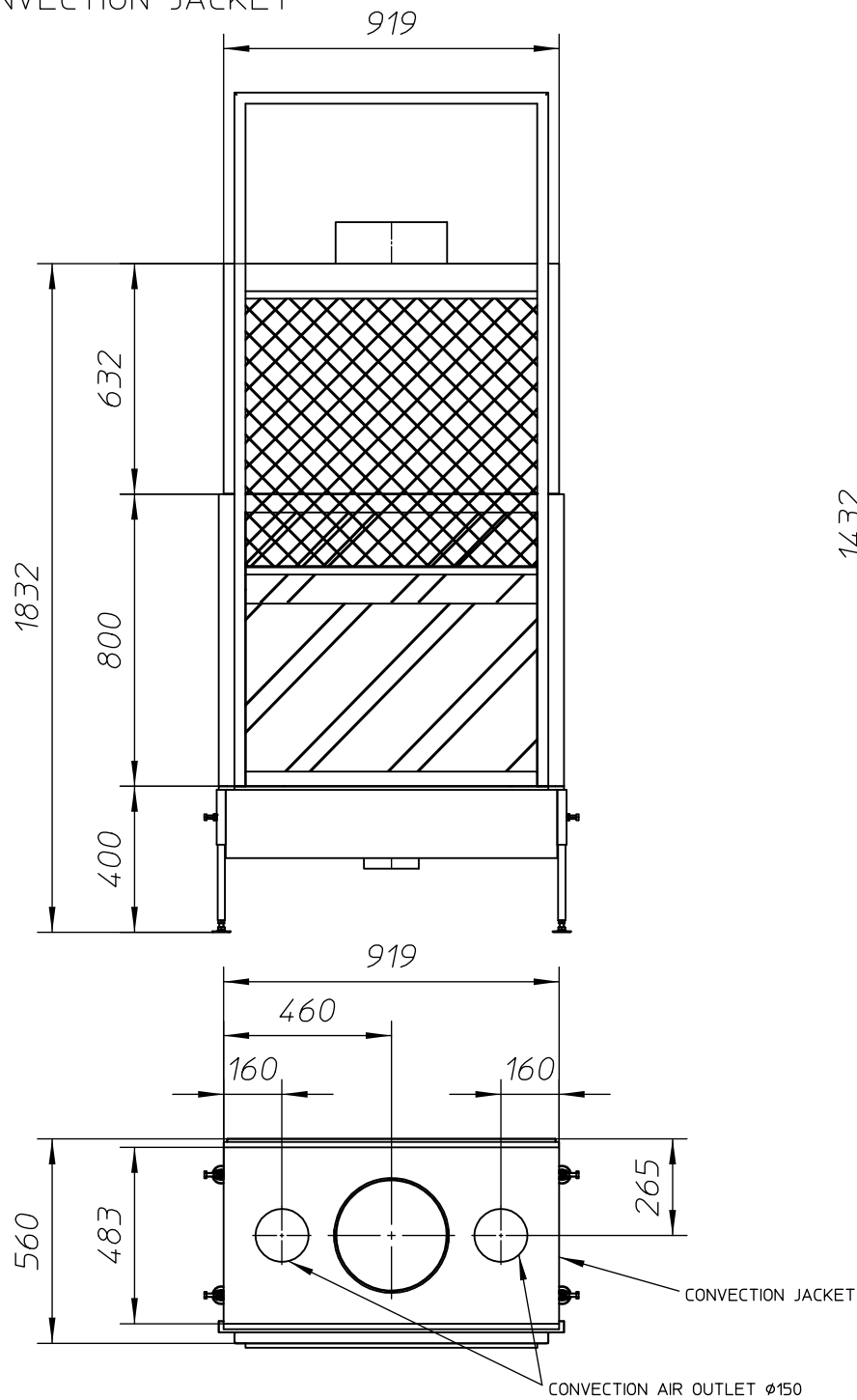
Rev.  
-1

www.metalfire.eu

General dimensional tolerances up to 6mm  
Metalfire preserves the right to modify specifications without previous notice

Sheet  
2/4

WITH CONVECTION JACKET



UNIVERSAL Patented

**metalfire**

Technical Document

Model: UNIVERSAL MF 800-75 W T

- Dimensions (mm)**
- combustion chamber WxDxH 800 x 500 x 750
  - external WxDxH: 956 x 560 x 2300
  - stoke grate WxD: 600 x 370
  - fresh air: 1 x  $\phi$ 150

- Specifications**
- finishing: heat-resistant black paint
  - lockable valve for fresh air and smoke gases
  - two-piece cast iron stoke grate
  - sliding door in metal wire mesh (black H-R paint)
  - finishing: heat-resistant black paint
  - interior finishing: ORIGINAL (ribbed cast iron)

- Options**
- chimney fan RSV 14
  - convection jacket (see options)
  - interior finishing: MINIMAL DESIGN

First aid and technical support:  
 - support@metalfire.eu  
 - +32 (0)9 261 50 57

scale 1:20 Rev. -1

www.metalfire.eu Sheet

General dimensional tolerances up to 6mm  
 Metalfire preserves the right to modify specifications without previous notice 3/4

Model: UNIVERSAL MF 800-75 W T



Dimensions (mm)

- combustion chamber WxDxH: 800 x 500 x 750
- external WxDxH: 956 x 560 x 2300
- stoke grate WxD: 600 x 370
- fresh air: 1 x  $\varnothing$ 150

Specifications

- finishing: heat-resistant black paint
- lockable valve for fresh air and smoke gases
- two-piece cast iron stoke grate
- sliding door in metal wire mesh (black H-R paint)
- finishing: heat-resistant black paint
- interior finishing: ORIGINAL (ribbed cast iron)

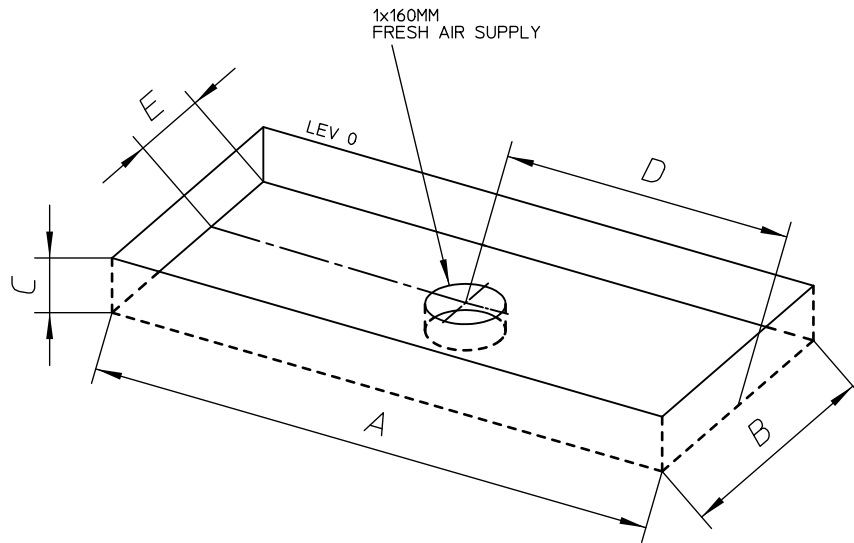
Options

- chimney fan RSV 14
- convection jacket (see options)
- interior finishing: MINIMAL  DESIGN 

First aid and technical support:

- support@metalfire.eu
- +32 (0)9 261 50 57

(mm)	A	B	C	D	E
MF 800-50/75 1S	1010	600	225	A/2	360
MF 800-50/75 2S	955	600	225	A/2	360
MF 800-50 3S	960	630	280	A/2	390
MF 800-50/75 T	1010	590	225	A/2	360
MF 800-75 BBQ	1030	600	225	A/2	360



scale 1:20 Rev. -1

www.metalfire.eu

General dimensional tolerances up to 6mm  
 Metalfire preserves the right to modify specifications without previous notice Sheet 4/4