

Model: CITIZEN MF 1050-45 WHE 1S

Dimensions (mm)

- combustion opening WxH: 1052x452
- external WxDxH: 1173x488x948
- fresh air: 1x ϕ 100
- diameter flue: ϕ 180

Technical Data

- capacity: 13.4kW
- efficiency capacity: 79%
- CO (volume with 13%O₂): 0.09%
- dust (volume with 13%O₂): 23mg/m³
- weight: 230kg
- air intake to convection : minimum 700cm² (4x ϕ 150)
- air exhaust from convection : minimum 700cm² (4x ϕ 150)

Specifications

- inside finishing: heat-resistant black paint
- vermiculite insulation plates
- convection jacket in galvanized steel
- side-hinged door with heat-resistant glass
- interior backside finishing: ORIGINAL (ribbed cast iron)
- standard door opens to the left side

Options

- promat insulation kit
- door opens to the right side

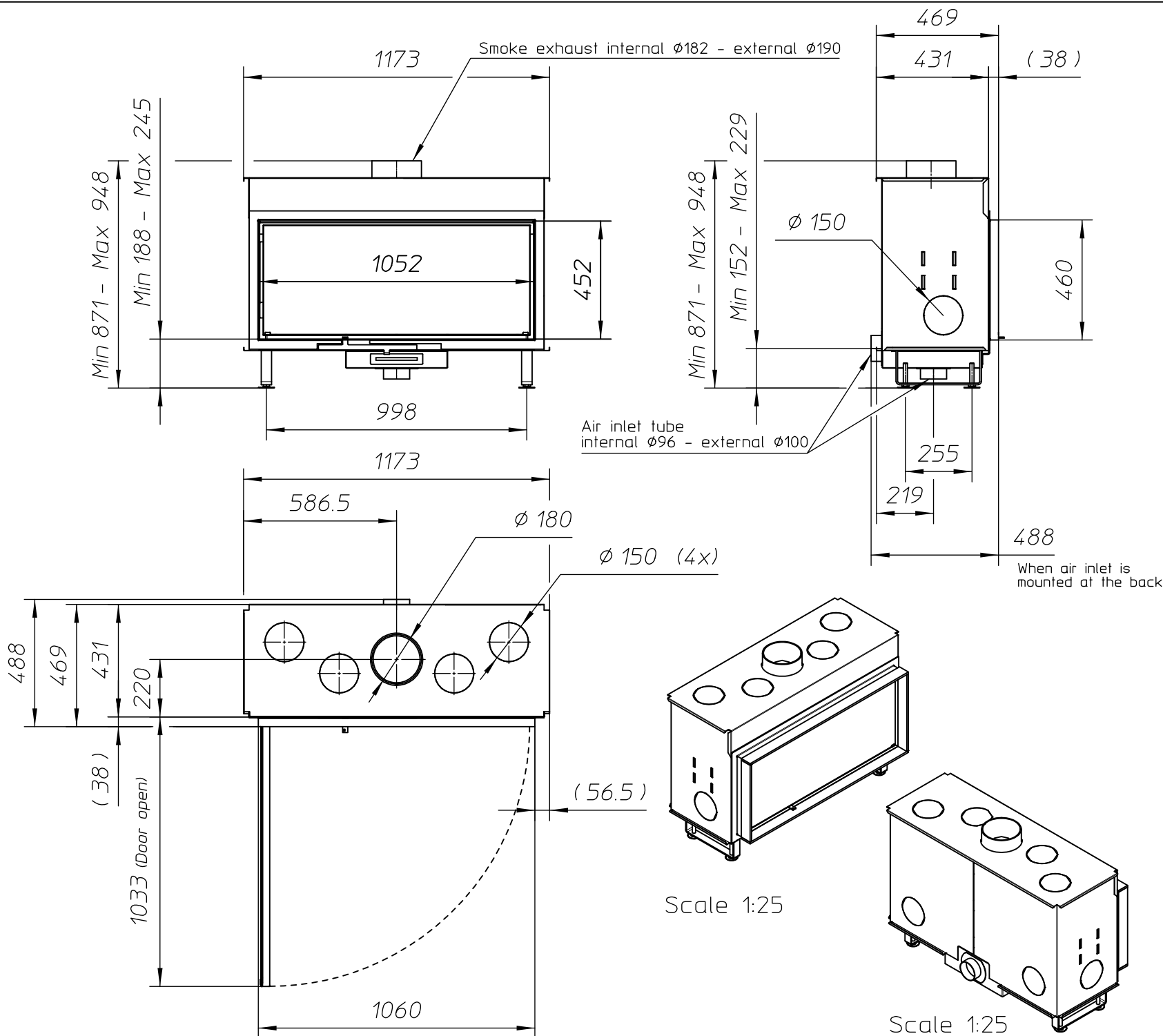
Table: prescribed insulation thickness (mm)

	Combustible finishing material			
	A	B	C	D
Test report (TC = 0,14 W/mK)	NC	40	80	40
Metalfire recommended Promasil 1100L (TC = 0,081 W/mK)	NC	25	45	25
Non-combustable finishing material				
non-combustable materials (structural building items EXCLUDED e.g. load bearing walls)	0	0	0	0
TC = thermal conductivity NC = non-combustable				

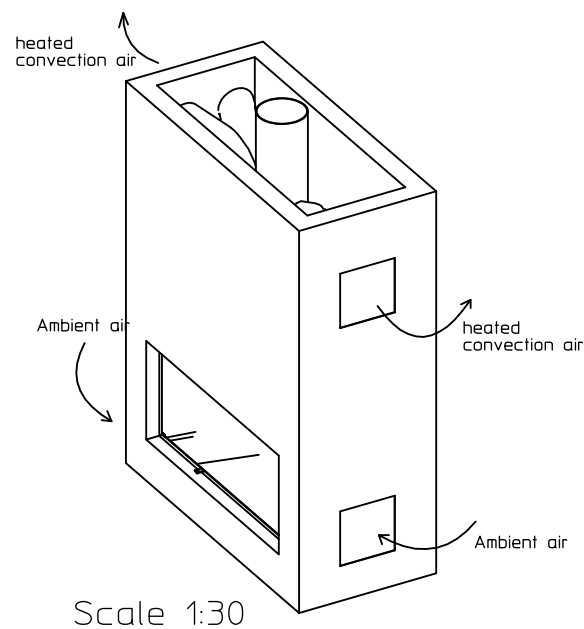
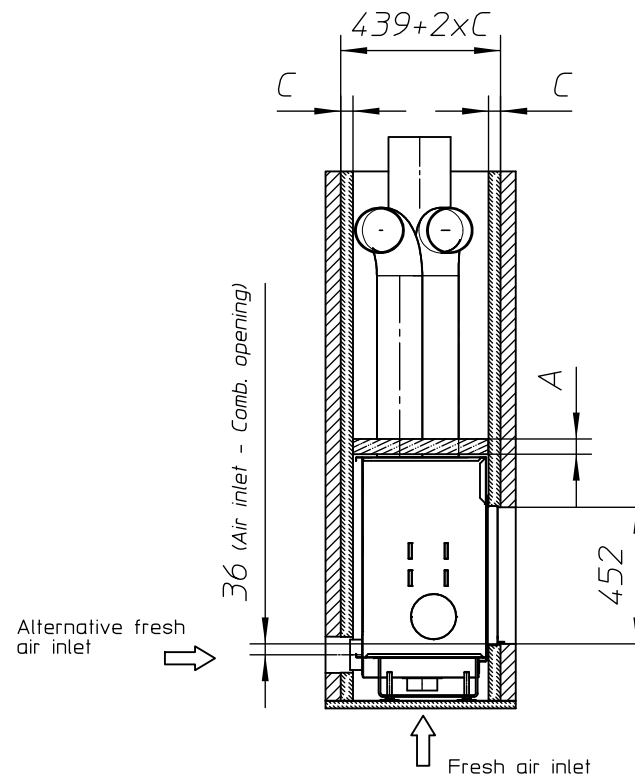
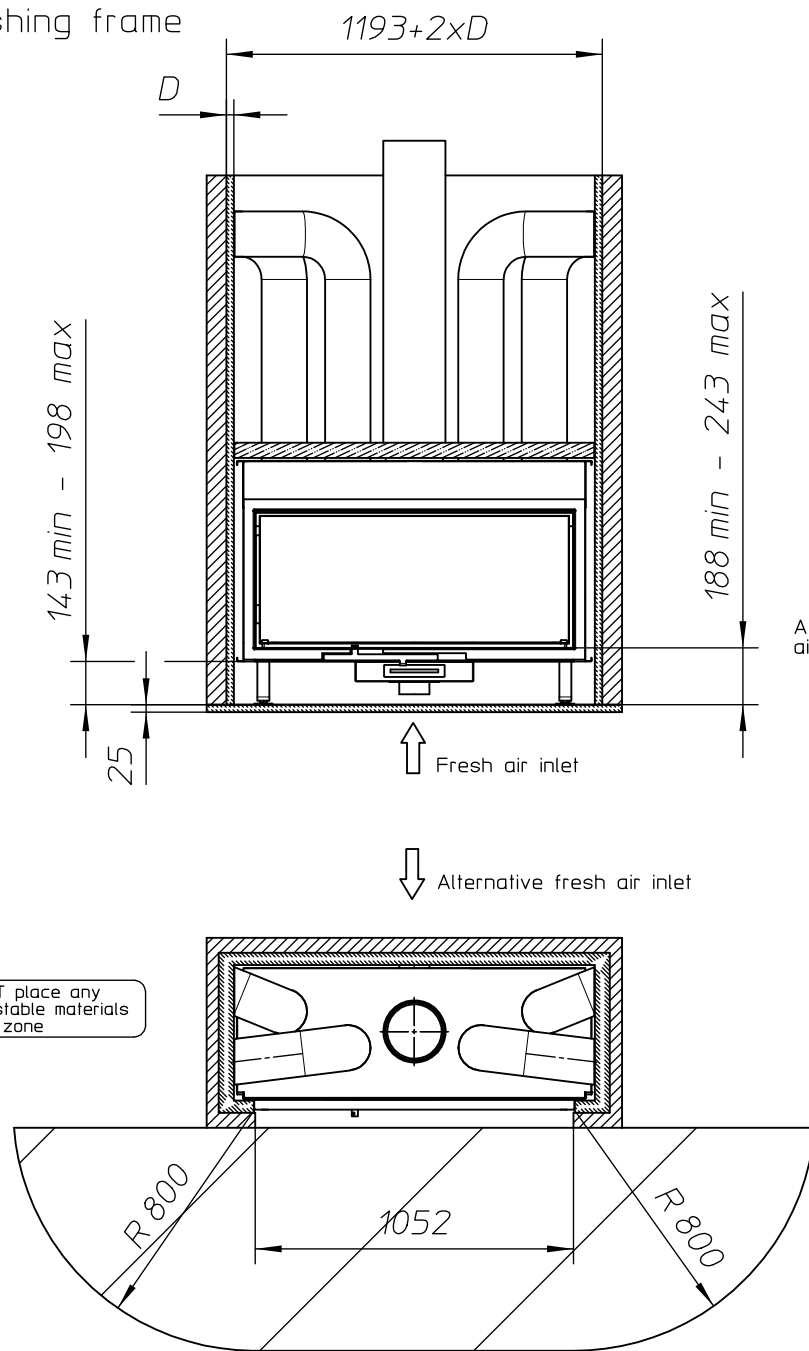
First aid and technical support:

- support@metalfire.eu
- +32 (0)9 261 50 57

scale 1:20	Rev. -1
www.metalfire.eu EN 13229	CE
General dimensional tolerances up to 6mm Metalfire preserves the right to modify specifications without previous notice	Sheet 1/3



Without finishing frame



CITIZEN Patented

metalfire

Technical Document

Model: CITIZEN MF 1050-45 WHE 1S

- Dimensions (mm)
- combustion opening WxH: 1052x452
 - external WxDxH: 1173x488x948
 - fresh air: 1xØ100
 - diameter flue: Ø180

- Technical Data
- capacity: 13.4kW
 - efficiency capacity: 79%
 - CO (volume with 13%O2): 0.09%
 - dust (volume with 13%O2): 23mg/m³
 - weight: 230kg
 - air intake to convection : minimum 700cm² (4xØ150)
 - air exhaust from convection : minimum 700cm² (4xØ150)

- Specifications
- inside finishing: heat-resistant black paint
 - vermiculite insulation plates
 - convection jacket in galvanized steel
 - side-hinged door with heat-resistant glass
 - interior backside finishing: ORIGINAL (ribbed cast iron)
 - standard door opens to the left side

- Options
- promat insulation kit
 - door opens to the right side

Table: prescribed insulation thickness (mm)

	Combustable finishing material			
	A	B	C	D
Test report (TC = 0,14 W/mK)	NC	40	80	40
Metalfire recommended Promasil 1100L (TC = 0,081 W/mK)	NC	25	45	25
Non-combustable finishing material				
non-combustable materials (structural building items EXCLUDED e.g. load bearing walls)	0	0	0	0

TC = thermal conductivity NC = non-combustable

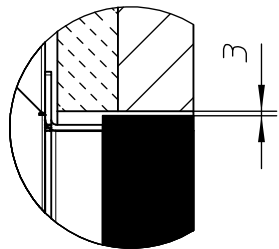
First aid and technical support:
 - support@metalfire.eu
 - +32 (0)9 261 50 57

scale 1:20	Rev. -1
www.metalfire.eu EN 13229	CE
General dimensional tolerances up to 6mm Metalfire preserves the right to modify specifications without previous notice	Sheet 2/3

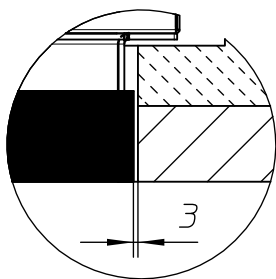
- Combustable finishing material
- Non-combustable finishing material
- Insulation
- Insulation thickness => see table

With optional finishing frame 60/10

$1193+2 \times D$

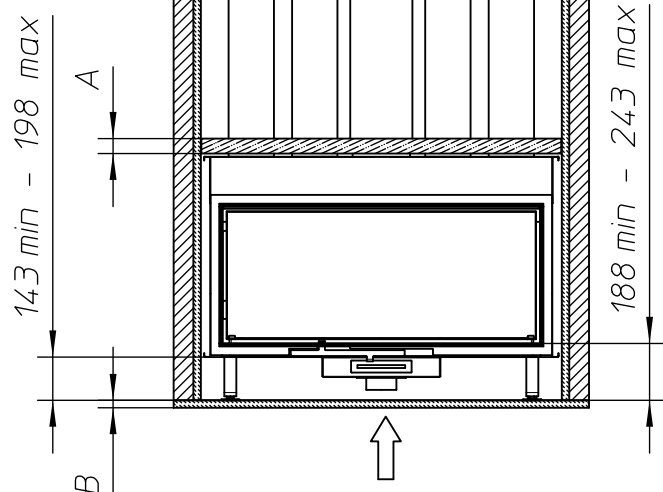


Detail1
Scale 1:5

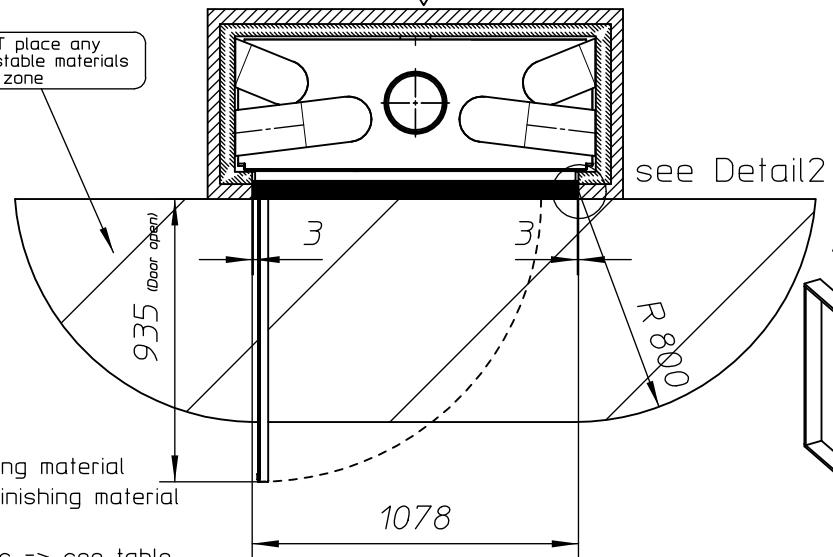


Detail2
Scale 1:5

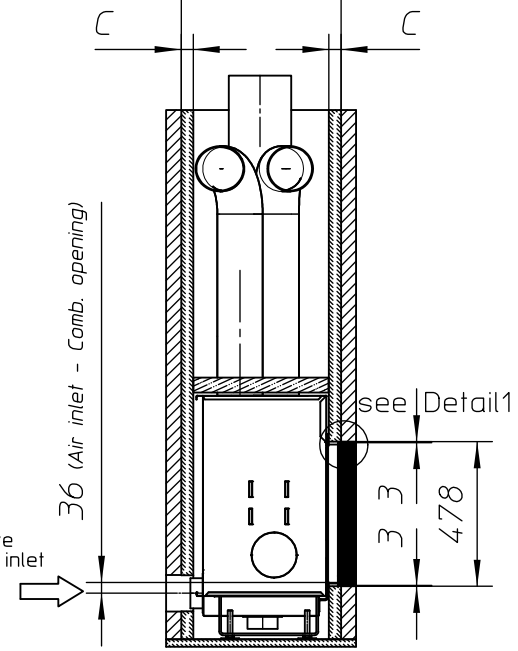
Do NOT place any combustable materials in this zone



Alternative fresh air inlet

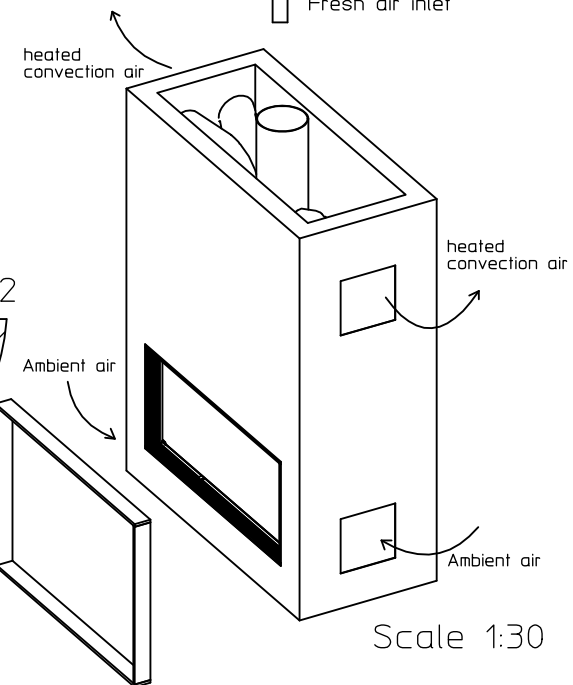


$439+2 \times C$



Alternative fresh air inlet

Fresh air inlet



Scale 1:30

- Combustable finishing material
- Non-combustable finishing material
- Insulation
- Insulation thickness => see table

CITIZEN Patented

metalfire

Technical Document

Model: CITIZEN MF 1050-45 WHE 1S

- Dimensions (mm)
- combustion opening WxH: 1052x452
 - external WxDxH: 1173x488x948
 - fresh air: 1xØ100
 - diameter flue: Ø180

- Technical Data
- capacity: 13.4kW
 - efficiency capacity: 79%
 - CO (volume with 13%O2): 0.09%
 - dust (volume with 13%O2): 23mg/m³
 - weight: 230kg
 - air intake to convection : minimum 700cm² (4xØ150)
 - air exhaust from convection : minimum 700cm² (4xØ150)

- Specifications
- inside finishing: heat-resistant black paint
 - vermiculite insulation plates
 - convection jacket in galvanized steel
 - side-hinged door with heat-resistant glass
 - interior backside finishing: ORIGINAL (ribbed cast iron)
 - standard door opens to the left side

- Options
- promat insulation kit
 - door opens to the right side

Table: prescribed insulation thickness (mm)

	Combustable finishing material			
	A	B	C	D
Test report (TC = 0,14 W/mK)	NC	40	80	40
Metalfire recommended Promasil 1100L (TC = 0,081 W/mK)	NC	25	45	25
Non-combustable finishing material				
non-combustable materials (structural building items EXCLUDED e.g. load bearing walls)	0	0	0	0
TC = thermal conductivity NC = non-combustable				

First aid and technical support:
- support@metalfire.eu
- +32 (0)9 261 50 57

scale 1:25	Rev. -1
www.metalfire.eu EN 13229	CE
General dimensional tolerances up to 6mm Metalfire preserves the right to modify specifications without previous notice	Sheet 3/3