

CITIZEN Patented

metalfire

Technical Document

Model: CITIZEN MF 900-45 WHE 1S

Dimensions (mm)

- combustion opening WxH: 902x452
- external WxDxH: 1023x488x948
- fresh air: 1x $\phi 100$
- diameter flue: $\phi 180$

Technical Data

- capacity: 12.8kW
- efficiency capacity: 78%
- CO (volume with 13%O₂): 0.08%
- dust (volume with 13%O₂): 28mg/m³
- weight: 200kg
- air intake to convection : minimum 700cm² (4x $\phi 150$)
- air exhaust from convection : minimum 700cm² (4x $\phi 150$)

Specifications

- inside finishing: heat-resistant black paint
- vermiculite insulation plates
- convection jacket in galvanized steel
- side-hinged door with heat-resistant glass
- interior backside finishing: ORIGINAL (ribbed cast iron)
- standard door opens to the left side

Options

- promat insulation kit
- door opens to the right side

Table: prescribed insulation thickness (mm)

Combustible finishing material				
	A	B	C	D
Test report (TC = 0,14 W/mK)	NC	40	50	100
Metalfire recommended Promasil 1100L (TC = 0,081 W/mK)	NC	25	30	60
Non-combustable finishing material				
non-combustable materials (structural building items EXCLUDED e.g. load bearing walls)	0	0	0	0

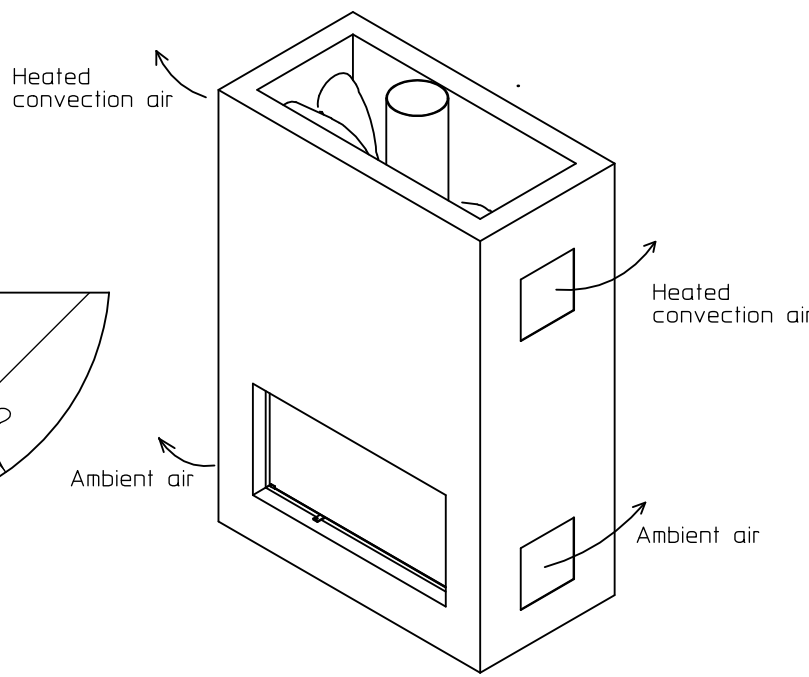
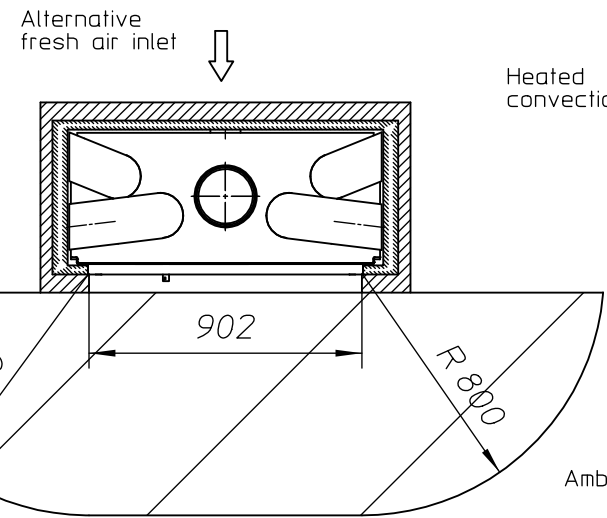
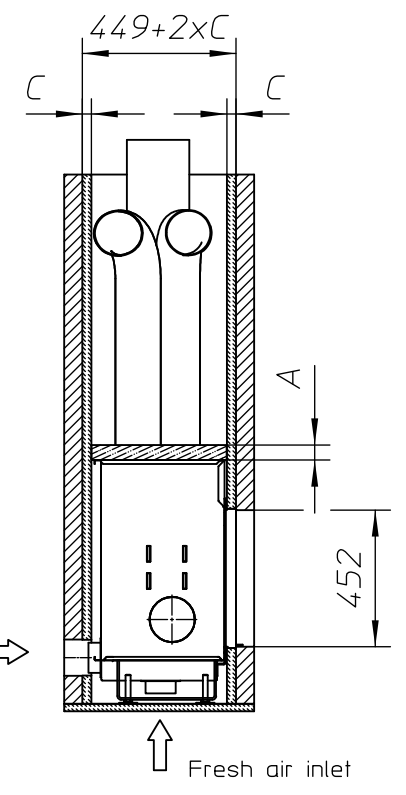
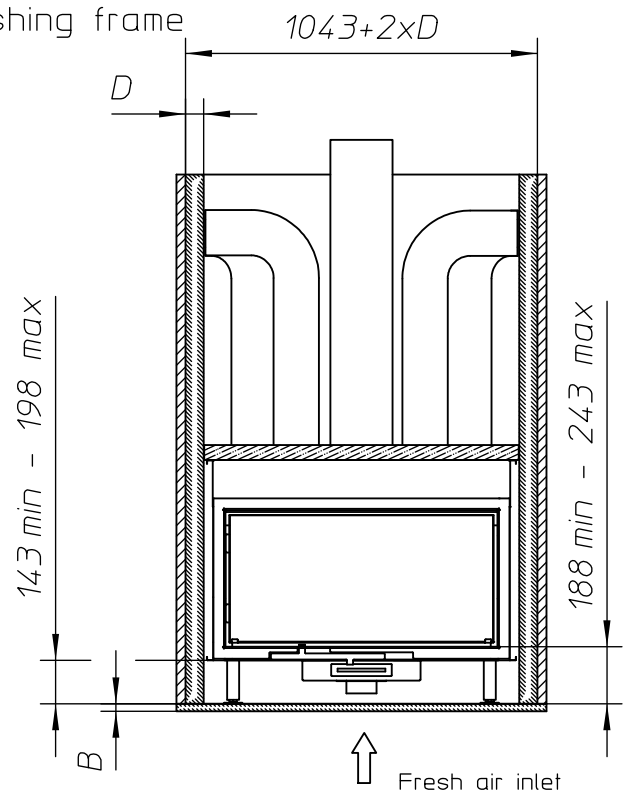
TC = thermal conductivity NC = non-combustable



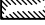
First aid and technical support:

- support@metalfire.eu
- +32 (0)9 261 50 57

scale 1:20	Rev. -1
www.metalfire.eu EN 13229	CE
General dimensional tolerances up to 6mm Metalfire preserves the right to modify specifications without previous notice	Sheet 1/3

Without finishing frame



 Combustable finishing material
 Non-combustable finishing material
 Insulation
 Insulation thickness => see table

CITIZEN Patented

metalfire

Technical Document

Model: CITIZEN MF 900-45 WHE 1S

- Dimensions (mm)**
- combustion opening WxH: 902x452
 - external WxDxH: 1023x488x948
 - fresh air: 1xØ100
 - diameter flue: Ø180

- Technical Data**
- capacity: 12.8kW
 - efficiency capacity: 78%
 - CO (volume with 13%O₂): 0.08%
 - dust (volume with 13%O₂): 28mg/m³
 - weight: 200kg
 - air intake to convection : minimum 700cm² (4xØ150)
 - air exhaust from convection : minimum 700cm² (4xØ150)

- Specifications**
- inside finishing: heat-resistant black paint
 - vermiculite insulation plates
 - convection jacket in galvanized steel
 - side-hinged door with heat-resistant glass
 - interior backside finishing: ORIGINAL (ribbed cast iron)
 - standard door opens to the left side

- Options**
- promat insulation kit
 - door opens to the right side

Table: prescribed insulation thickness (mm)

	Combustable finishing material			
	A	B	C	D
Test report (TC = 0,14 W/mK)	NC	40	50	100
Metalfire recommended Promasil 1100L (TC = 0,081 W/mK)	NC	25	30	60
Non-combustable finishing material				
non-combustable materials (structural building items EXCLUDED e.g. load bearing walls)	0	0	0	0
TC = thermal conductivity NC = non-combustable				

First aid and technical support:

- support@metalfire.eu
- +32 (0)9 261 50 57

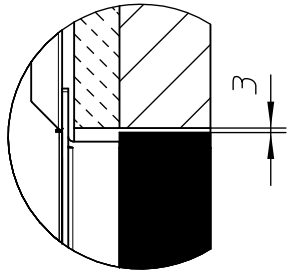
scale 1:20 Rev. -1

www.metalfire.eu EN 13229 CE

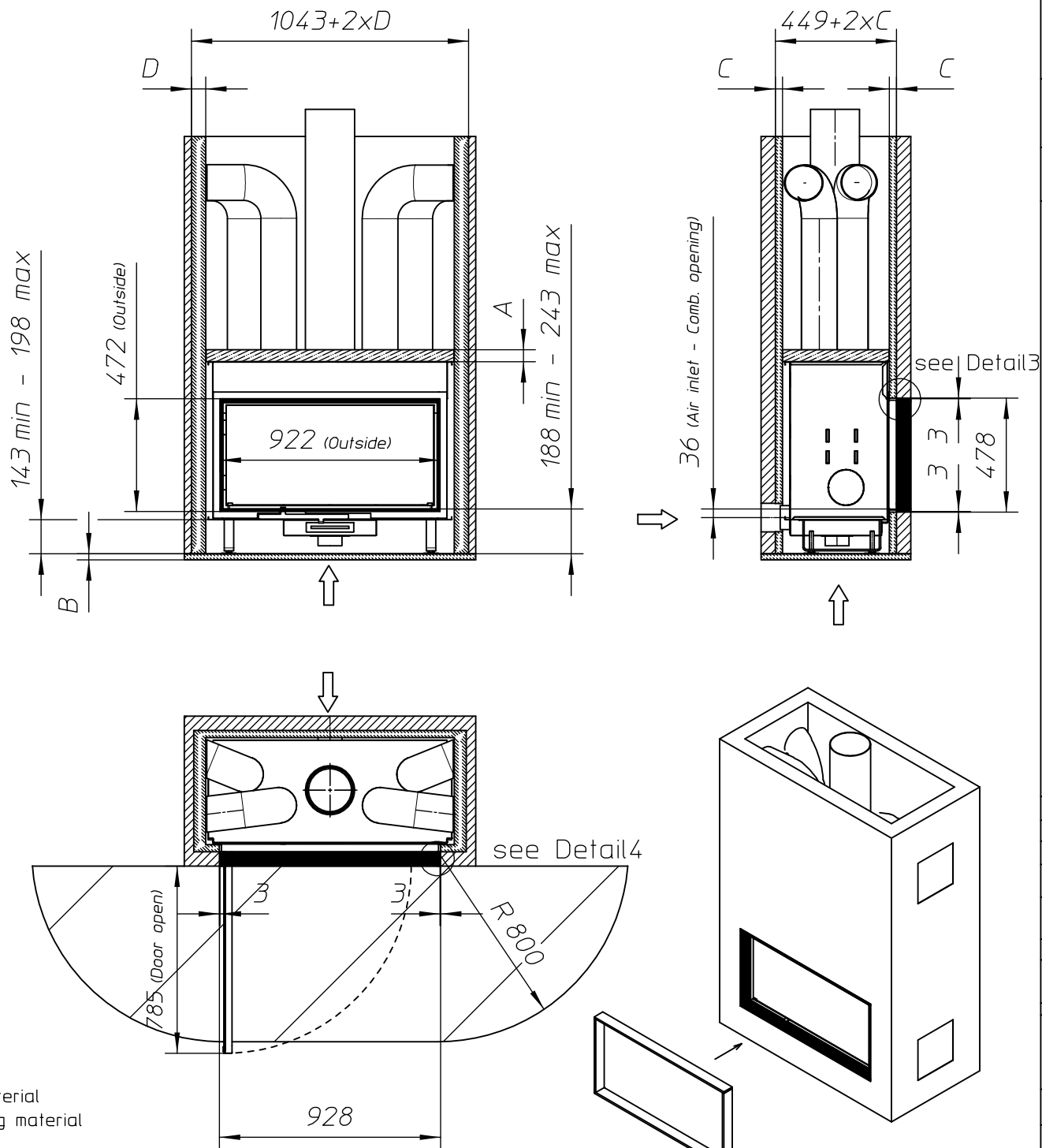
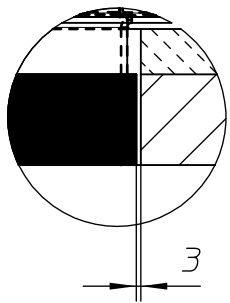
General dimensional tolerances up to 6mm Sheet 2/3
Metalfire preserves the right to modify specifications without previous notice

With finishing frame

Detail3
Scale 1:5



Detail4
Scale 1:5



CITIZEN Patented

metalfire

Technical Document

Model: CITIZEN MF 900-45 WHE 1S

Dimensions (mm)

- combustion opening WxH: 902x452
- external WxDxH: 1023x488x948
- fresh air: 1xø100
- diameter flue: ø180

Technical Data

- capacity: 12.8kW
- efficiency capacity: 78%
- CO (volume with 13%O2): 0.08%
- dust (volume with 13%O2): 28mg/m³
- weight: 200kg
- air intake to convection : minimum 700cm² (4xø150)
- air exhaust from convection : minimum 700cm² (4xø150)

Specifications

- inside finishing: heat-resistant black paint
- vermiculite insulation plates
- convection jacket in galvanized steel
- side-hinged door with heat-resistant glass
- interior backside finishing: ORIGINAL (ribbed cast iron)
- standard door opens to the left side

Options

- promat insulation kit
- door opens to the right side

Table: prescribed insulation thickness (mm)

Combustable finishing material				
	A	B	C	D
Test report (TC = 0,14 W/mK)	NC	40	50	100
Metalfire recommended Promasil 1100L (TC = 0,081 W/mK)	NC	25	30	60
Non-combustable finishing material				
non-combustable materials structural building items EXCLUDED e.g. load bearing walls	0	0	0	0

TC = thermal conductivity NC = non-combustable

First aid and technical support:

- support@metalfire.eu
- +32 (0)9 261 50 57

scale 1:25	Rev. -1
www.metalfire.eu EN 13229	CE
General dimensional tolerances up to 6mm Metalfire preserves the right to modify specifications without previous notice	Sheet 3/3