

CITIZEN Patented

metalfire

Technical Document

Model: CITIZEN MF 900-60 WHE 1S

Dimensions (mm)

- combustion opening WxH: 902x602
- external WxDxH: 1023x488x1098
- fresh air: 1x $\varnothing 100$
- diameter flue: $\varnothing 180$

Technical Data

- capacity: 15kW
- efficiency capacity: 79%
- CO (volume with 13%O₂): 0.1%
- dust (volume with 13%O₂): 26mg/m³
- weight: 230kg
- air intake to convection : minimum 700cm² (4x $\varnothing 150$)
- air exhaust from convection : minimum 700cm² (4x $\varnothing 150$)

Specifications

- inside finishing: heat-resistant black paint
- vermiculite insulation plates
- convection jacket in galvanized steel
- side-hinged door with heat-resistant glass
- interior backside finishing: ORIGINAL (ribbed cast iron)
- standard door opens to the left side

Options

- promat insulation kit
- door opens to the right side

Table: prescribed insulation thickness (mm)

Combustible finishing material				
	A	B	C	D
Test report (TC = 0,14 W/mk)	NC	NC	80	40
Metalfire recommended Promasil 1100L (TC = 0,081 W/mk)	NC	NC	45	25
Non-combustable finishing material				
non-combustable materials (structural building items EXCLUDED e.g. load bearing walls)	0	0	0	0

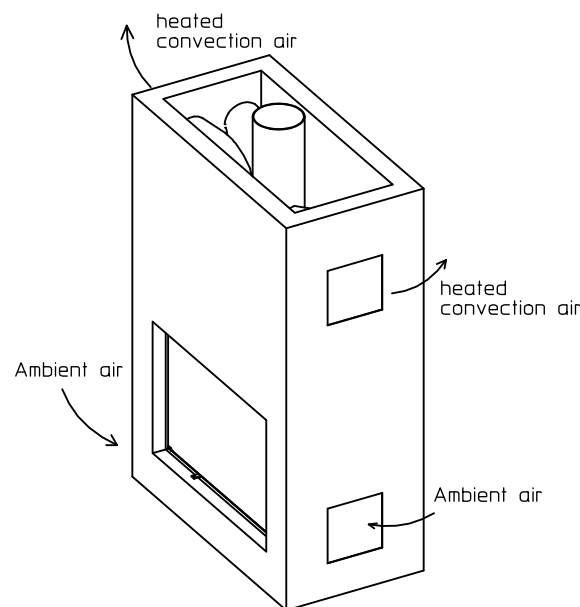
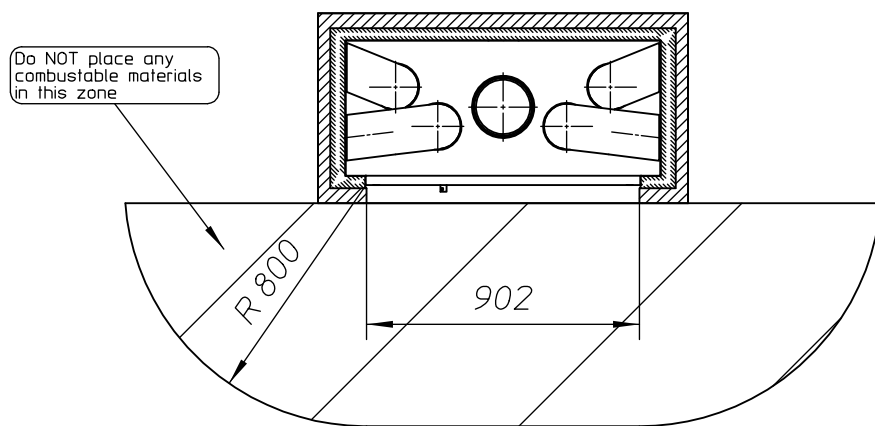
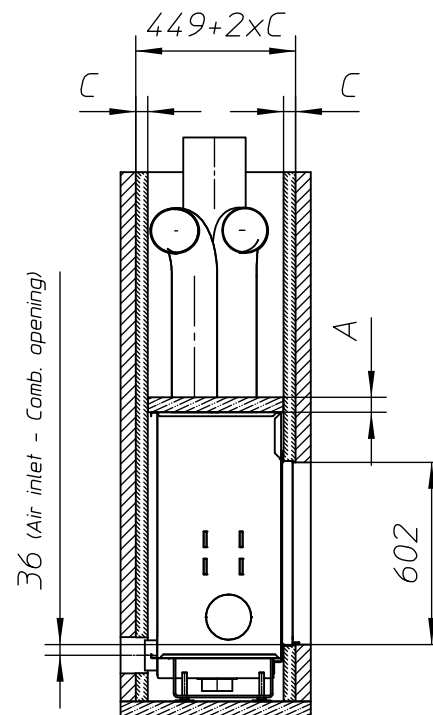
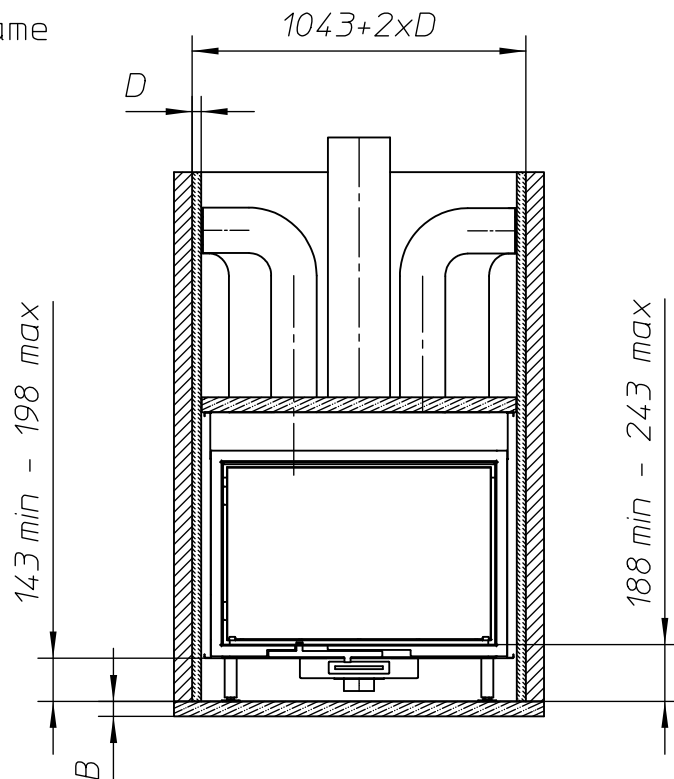
TC = thermal conductivity NC = non-combustable

First aid and technical support:

- support@metalfire.eu
- +32 (0)9 261 50 57

scale 1:20	Rev. -1
www.metalfire.eu	EN 13229
General dimensional tolerances up to 6mm Metalfire preserves the right to modify specifications without previous notice	Sheet 1/3

Without finishing frame



Scale 1:30

CITIZEN Patented

metalfire

Technical Document

Model: CITIZEN MF 900-60 WHE 1S

Dimensions (mm)

- combustion opening WxH: 902x602
- external WxDxH: 1023x488x1098
- fresh air: 1xø100
- diameter flue: ø180

Technical Data

- capacity: 15kW
- efficiency capacity: 79%
- CO (volume with 13%O₂): 0.1%
- dust (volume with 13%O₂): 26mg/m³
- weight: 230kg²
- air intake to convection : minimum 700cm² (4xø150)
- air exhaust from convection : minimum 700cm² (4xø150)

Specifications

- inside finishing: heat-resistant black paint
- vermiculite insulation plates
- convection jacket in galvanized steel
- side-hinged door with heat-resistant glass
- interior backside finishing: ORIGINAL (ribbed cast iron)
- standard door opens to the left side

Options

- promat insulation kit
- door opens to the right side

Table: prescribed insulation thickness (mm)

Combustible finishing material				
	A	B	C	D
Test report (TC = 0,14 W/mK)	NC	NC	80	40
Metalfire recommended Promasil 1100L (TC = 0,081 W/mK)	NC	NC	45	25
Non-combustable finishing material				
non-combustable materials (structural building items EXCLUDED e.g. load bearing walls)	0	0	0	0

TC = thermal conductivity NC = non-combustable

First aid and technical support:

- support@metalfire.eu
- +32 (0)9 261 50 57

scale 1:25

Rev.
-1

www.metalfire.eu

EN 13229

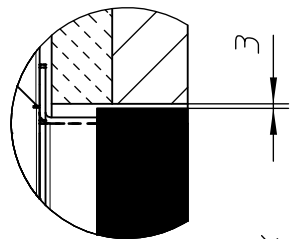
CE

General dimensional tolerances up to 6mm
Metalfire preserves the right to modify specifications without previous notice

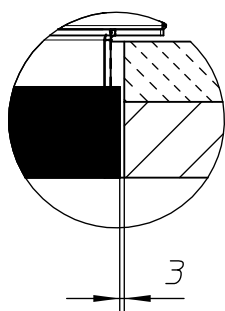
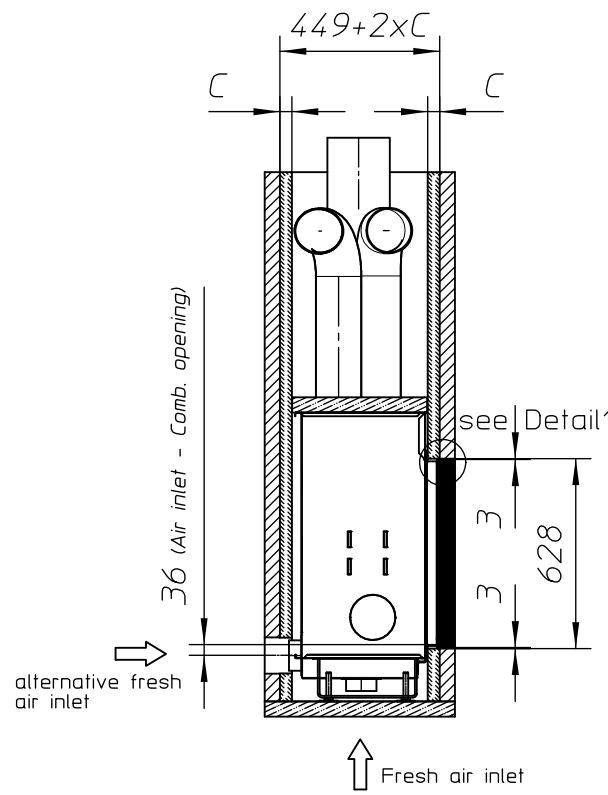
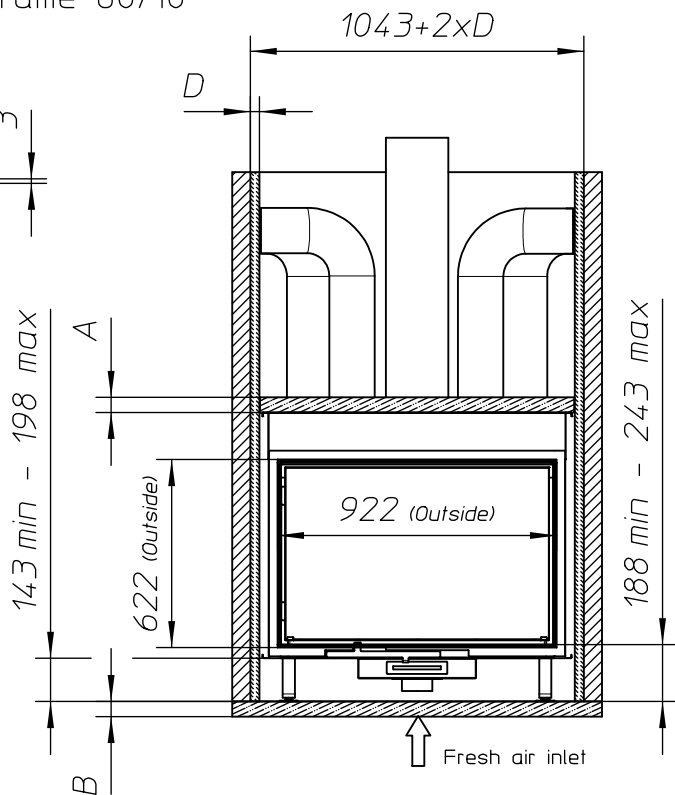
Sheet
2/3

- Combustible finishing material
 - Non-combustible finishing material
 - Insulation
- Insulation thickness => see table

With finishing frame 60/10

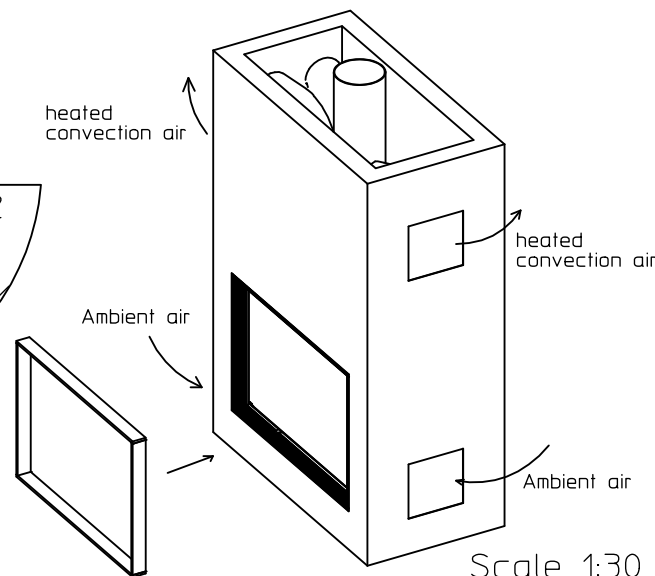
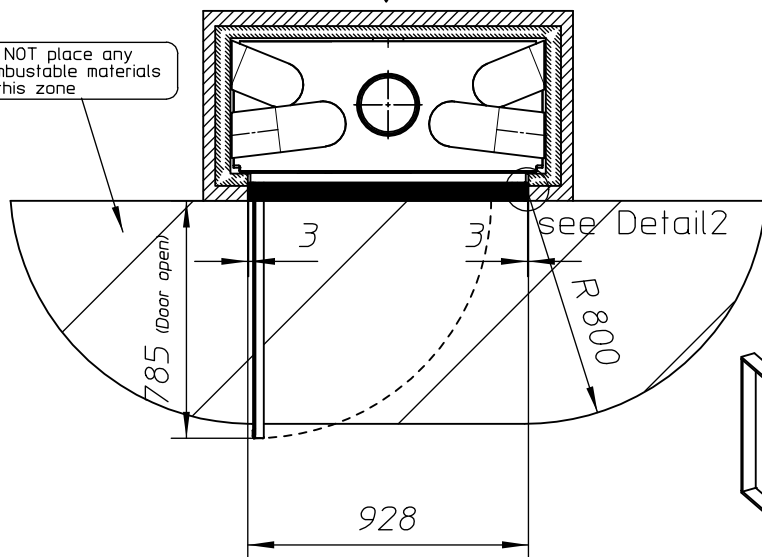


Detail1
Scale 1:5



Detail2
Scale 1:5

Do NOT place any combustible materials in this zone



CITIZEN Patented

metalfire

Technical Document

Model: CITIZEN MF 900-60 WHE 1S

Dimensions (mm)

- combustion opening WxH: 902x602
- external WxDxH: 1023x488x1098
- fresh air: 1xØ100
- diameter flue: Ø180

Technical Data

- capacity: 15kW
- efficiency capacity: 79%
- CO (volume with 13%O₂): 0.1%
- dust (volume with 13%O₂): 26mg/m³
- weight: 230kg
- air intake to convection : minimum 700cm² (4xØ150)
- air exhaust from convection : minimum 700cm² (4xØ150)

Specifications

- inside finishing: heat-resistant black paint
- vermiculite insulation plates
- convection jacket in galvanized steel
- side-hinged door with heat-resistant glass
- interior backside finishing: ORIGINAL (ribbed cast iron)
- standard door opens to the left side

Options

- promat insulation kit
- door opens to the right side

Table: prescribed insulation thickness (mm)

Combustible finishing material				
	A	B	C	D
Test report (TC = 0,14 W/mK)	NC	NC	80	40
Metalfire recommended Promasil 1100L (TC = 0,081 W/mK)	NC	NC	45	25
Non-combustable finishing material				
non-combustable materials (structural building items EXCLUDED e.g. load bearing walls)	0	0	0	0

TC = thermal conductivity NC = non-combustable

First aid and technical support:

- support@metalfire.eu
- +32 (0)9 261 50 57

scale 1:25 Rev. -1

www.metalfire.eu EN 13229 C€

General dimensional tolerances up to 6mm Metalfire preserves the right to modify specifications without previous notice Sheet 3/3